

# BUSH HOG®

# SQUEALER SERIES ROTARY MOWER SQ84T

Revised 01/19

## PARTS MANUAL SECTION 82A



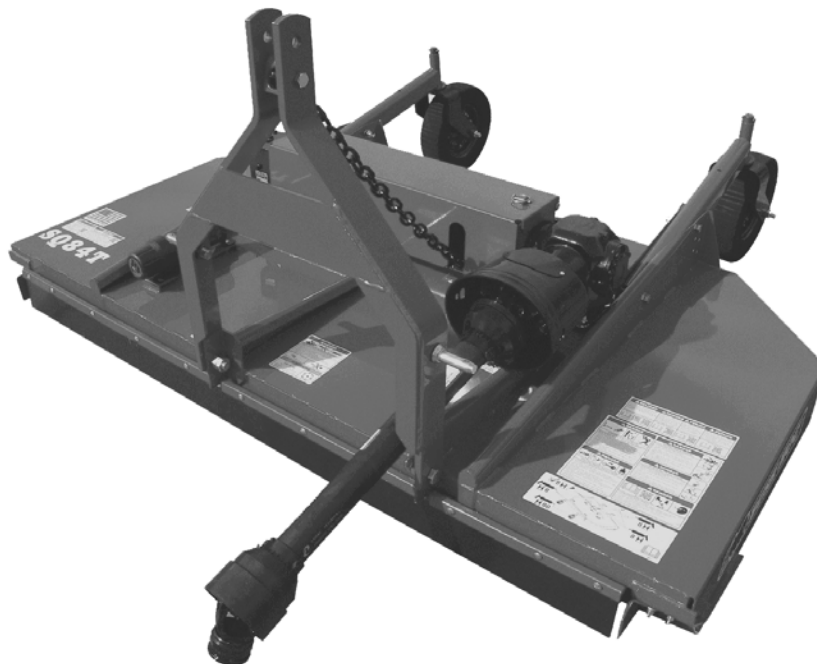
An Operator's Manual was shipped with the equipment. The Operator's Manual is an integral part of the safe operation of this machine and must be maintained with the unit at all times. **READ, UNDERSTAND, and FOLLOW** the Safety and Operation Instructions contained in this manual before operating the equipment. If the Operator's Manual is not with the equipment, contact your dealer or Bush Hog to obtain a copy before operating the equipment.

Safety Video

**Important Operating and Safety Instructions** are found in the Mower Safety Video that can be instantly accessed on the internet at: [www.algqr.com/bve](http://www.algqr.com/bve)



[www.algqr.com/bve](http://www.algqr.com/bve)



### BUSH HOG®

2501 Griffin Ave.  
Selma, AL 36703  
Parts Ordering 1-800-304-2836  
[www.bushhog.com](http://www.bushhog.com)

### ATENCIÓN!

LEA EL INSTRUCTIVO

Si No Lee Ingles, Pida Ayuda a Alguien  
Que Si Lo Lea Para Que le Traduzca las  
Medidas de Seguridad.



**MEMBER OF THE  
ALAMO GROUP**  
ALWAYS ON THE CUTTING EDGE®

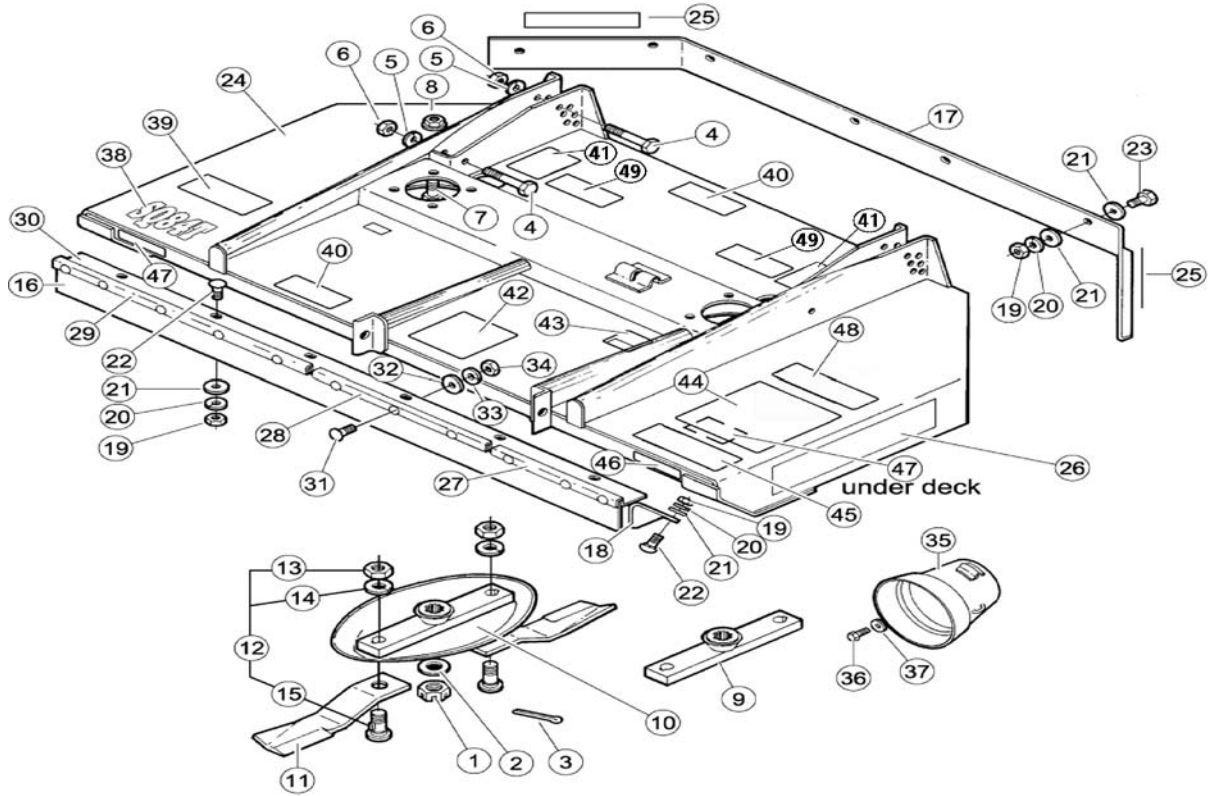
© 2015 Alamo Group Inc.

# SQ84T SQUEALER

## ALPHABETICAL INDEX BY MODELS

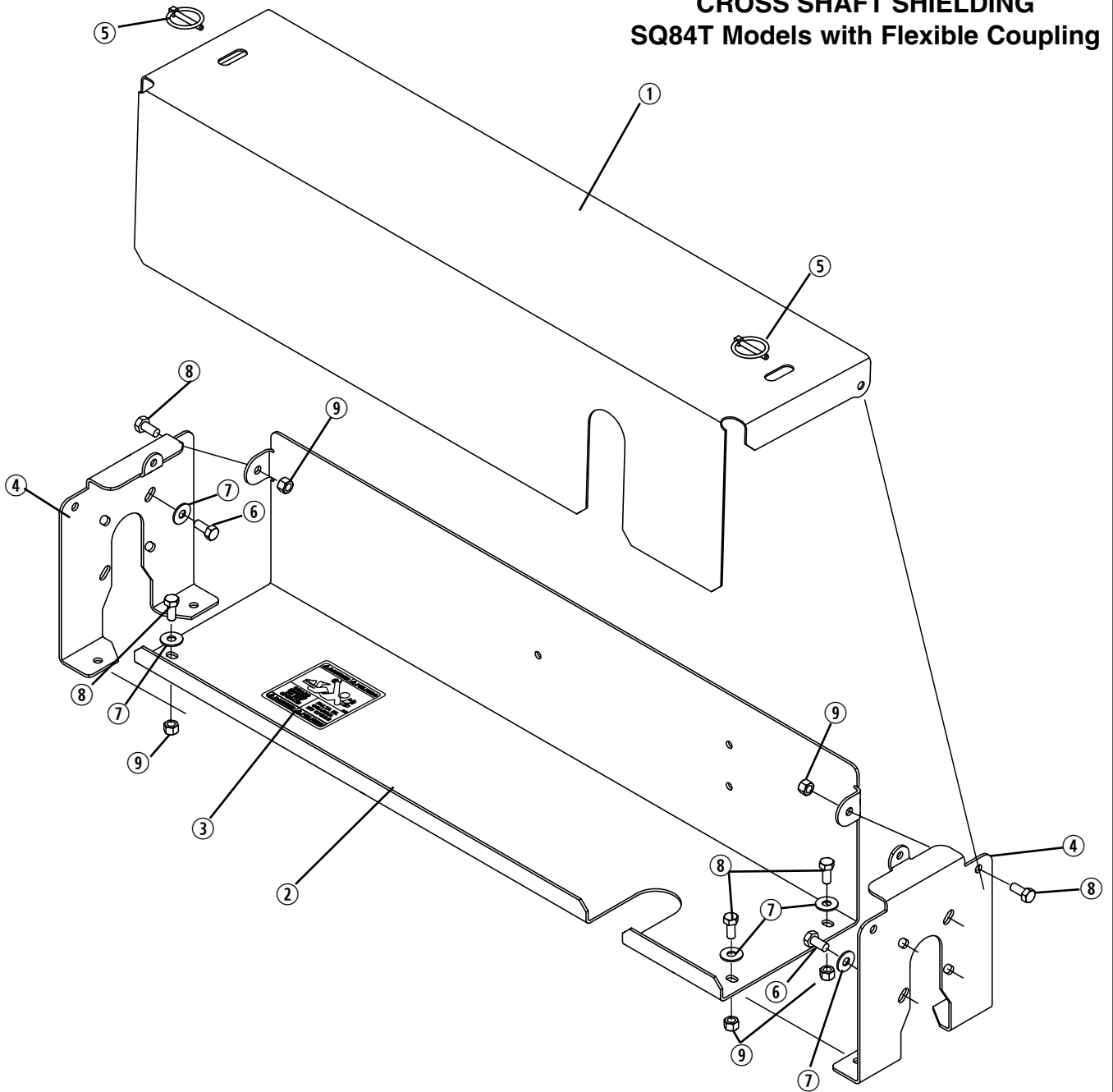
CONTENTS .....	PAGE
<b>SQ84T</b>	
Base Assembly .....	82A-1-1
Blades Blade Holder .....	82A-1-1
Driveshaft (Slip Clutch Style) .....	82A-3-1, 82A-3-2, 82A-3-3, 82A-3-6
Driveshaft (Outboard) .....	82A-3-4
Driveshaft (Outboard Flex Coupling) .....	82A-3-5
Gearbox Assembly (Input) .....	82A-2-1
Gearbox Assembly (Outboard) .....	82A-2-2
Hitch - 3 Pt. Lift (Standard) .....	82A-4-1
Shielding, Flexlink Cross Shaft .....	82A-1-2
Tailwheel Beam .....	82A-4-1
Tailwheel .....	82A-4-2, 82A-4-3

**SQ84T BASE ASSEMBLY**



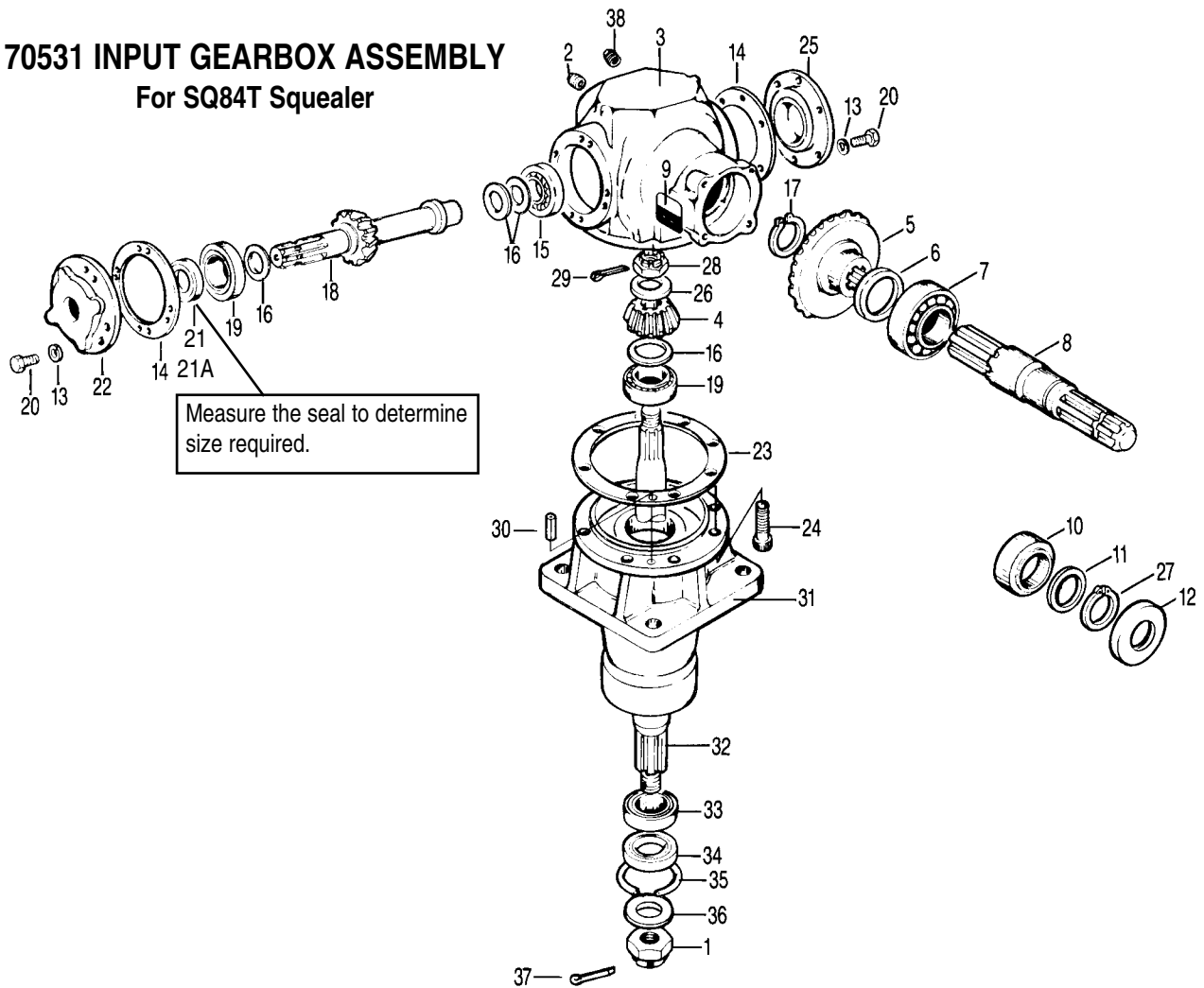
REF. NO.	PART NO.	DESCRIPTION	QTY.	REF. NO.	PART NO.	DESCRIPTION	QTY.
1	70076	Blade Nut	1	25	50031214	Red Reflector	2
2	70077	Flatwasher	1	26	50056692	Squealer Decal	2
3	70075	Cotter Pin	1	27	79360	Belt Cover LH	1
4	-----	Capscrew 5/8" x 3-3/4" Gr.5	4	28	79362	Belt Cover Center	1
5	-----	Lockwasher 5/8"	4	29	79361	Belt Cover RH	1
6	-----	Hex Nut 5/8"	4	30	79365	Belting Support	1
7	-----	Capscrew 5/8" x 2" Gr.5	8	31	-----	Carriage Bolt 5/16" x 1"	11
8	-----	Locknut, Flanged	8	32	-----	Flatwasher 5/16"	11
9	83187	Blade Bar Weldment	2	33	-----	Lockwasher 5/16"	11
10	50031068	Blade Pan Weldment	2	34	-----	Hex Nut 5/16"	11
11	67744	Blade CCW - Uplift	4	35	50075248	Gearbox Shield for Shear Bolt Protected Driveshaft	1
12	63607	Blade Bolt Kit	4		50068436	Gearbox Shield for Slip Clutch Protected Driveshaft	1
13	252BH	Lambnut 1-1/8"	4	36	90560	Capscrew M8 x 1.25 x 15 w/patch	4
14	20322	Lockwasher 1-1/8"	4	37	-----	Flatwasher 1/4"	4
15	7919BH	Blade Bolt	4	38	50021265	Model Decal	1
16	79359	Belting, Front	1	39	D559	Decal, Gen. BH Parts	1
17	79005	Band, Rear	1	40	D614	Decal, Danger-Thrown Obj's.	2
18	79363	Side Shield LH (Shown)	1	41	D551	Decal, BladeRotation CCW	2
	79364	Side Shield RH	1	42	D547	Decal, Danger	1
19	-----	Hex Nut 3/8"	18	43	D546	Decal, Danger - Guard Missing	1
20	-----	Lockwasher 3/8"	18	44	D549	Decal, Sheet - General Hazard	1
21	-----	Flatwasher 3/8"	30	45	D581	Lube Decal	1
22	-----	Carriage Bolt 3/8" x 1" Gr.5	10	46	53315	Amber Reflectors	2
23	-----	Capscrew 3/8" x 1" Gr.5	8	47	D454	Decal, Warning (Crushing Haz.)	1
24	78805	Deck Weld. w/Decals (Red)	1	48	D813	Decal, Danger - Multilingual	1
	50056671	Deck Weld. w/Decals (Orange)	1	49	D608	Decal, Warning, Blade Timing	2
	50056672	Deck Weld. w/Decals (Green)	1				
	50056673	Deck Weld. w/Decals (Blue)	1				

**CROSS SHAFT SHIELDING**  
**SQ84T Models with Flexible Coupling**



REF. NO.	PART NO.	DESCRIPTION	QTY.
1	50075207	Shield, Upper Cross Shaft	1
2	50075209	Shield, Lower Cross Shaft	1
3	D546	Decal, Danger Shield Missing	1
4	50075205	Bracket,Shield Mount	2
5	6050096	Pin Assembly	2
6	905060	Capscrew M8 x 1.25 x 15 Gr.8.8	8
7	15907BH	Flatwasher 5/16"	11
8	1161006	Capscrew 5/16" x 3/4" Gr.5	5
9	15602BH	Lock Nut 5/16"	5

### 70531 INPUT GEARBOX ASSEMBLY For SQ84T Squealer



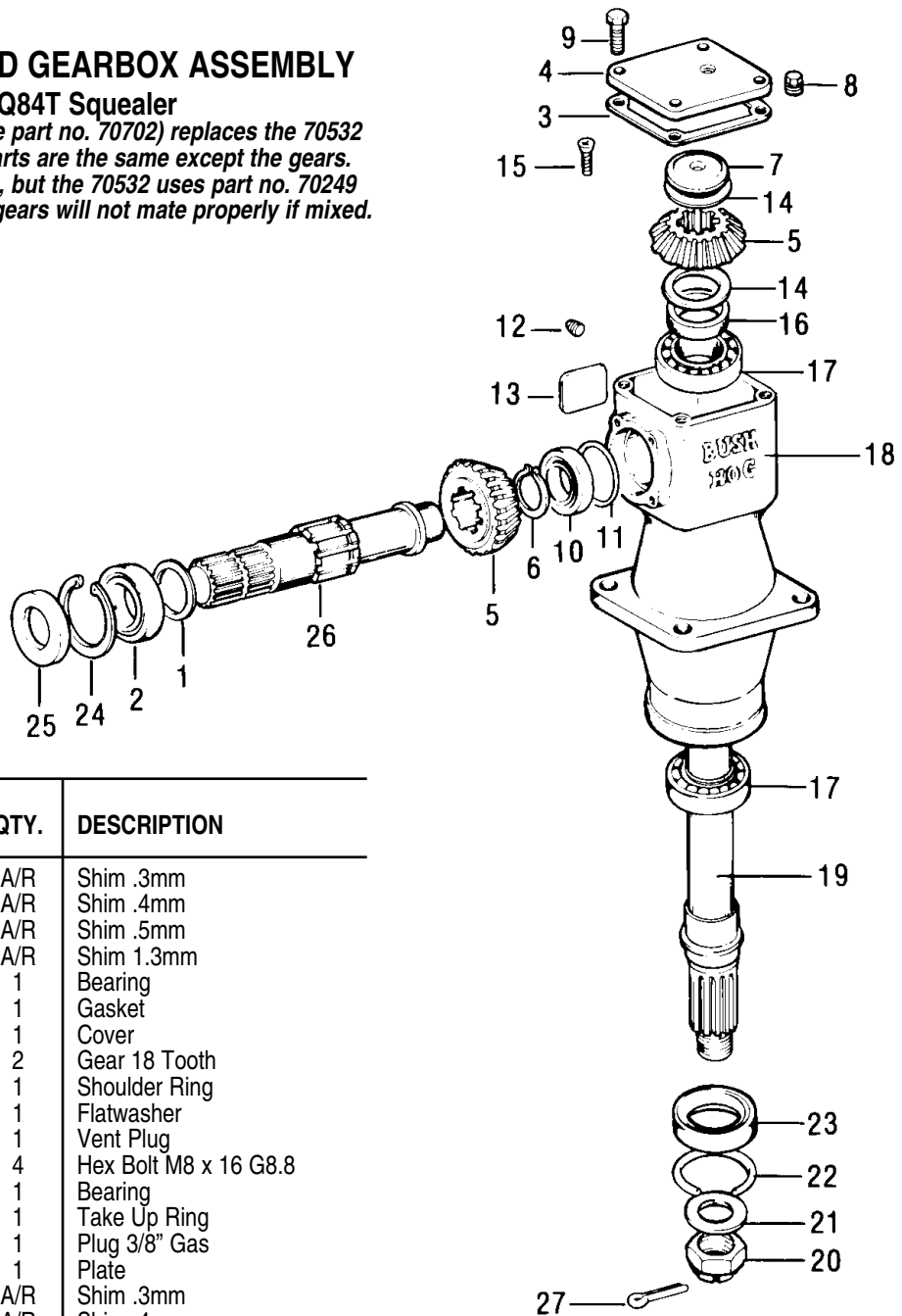
REF. NO.	PART NO.	QTY.	DESCRIPTION	REF. NO.	PART NO.	QTY.	DESCRIPTION
1	70076	1	Castle Nut	17	70563	1	External Retaining Ring
2	70393	1	Gas Plug	18	70564	1	Pinion Shaft w/ Gear (13 Tooth)
3	70554	1	Housing	19	70797	2	Bearing
4	70555	1	Pinion Gear 13 Tooth	20	70278	16	Bolt M8 x 20
5	70556	1	Crown Gear 24 Tooth	21	70565	1	Oil Seal 35 x 45 x 7mm
6	70352	A/R	Shim .3mm	21A	F7502731	1	Oil Seal 35 x 52 x 7mm
	70353	A/R	Shim .4mm	22	70566	1	Cover
	70354	A/R	Shim .5mm	23	70266	1	Gasket
	70355	A/R	Shim 1.0mm	24	70302	8	Screw M10 x 25
7	70557	1	Bearing	25	70567	1	Cover
8	70558	1	Input Shaft	26	70568	1	Spacer
9	N/A	1	Plate	27	70569	1	External Retaining Ring
10	70194	1	Bearing	28	70570	1	Nut M30 x 15
11	70348	A/R	Shim .3mm	29	70571	1	Cotter Pin B4 x 50
	70349	A/R	Shim .4mm	30	70304	2	Spring Pin 10 x 26
	70350	A/R	Shim .5mm	31	70572	1	Extension
	70351	A/R	Shim 1.0mm	32	70573	1	Shaft
12	70190	1	Oil Seal	33	70795	1	Bearing
13	70185	16	Washer	34	70242	1	Dust Excluder
14	70561	2	Gasket	35	70079	1	Shoulder Ring
15	70229	1	Bearing	36	70077	1	Flatwasher
16	70329	A/R	Shim .3mm	37	15473	1	Cotter Pin 1/4" x 2-1/2"
	70330	A/R	Shim .4mm	38	70546	1	Vent Plug
	70331	A/R	Shim .5mm				
	70332	A/R	shim 1.0mm				

**Abbreviations**  
A/R – As Required  
N/A – Not Available

## 70702 OUTBOARD GEARBOX ASSEMBLY

For SQ84T Squealer

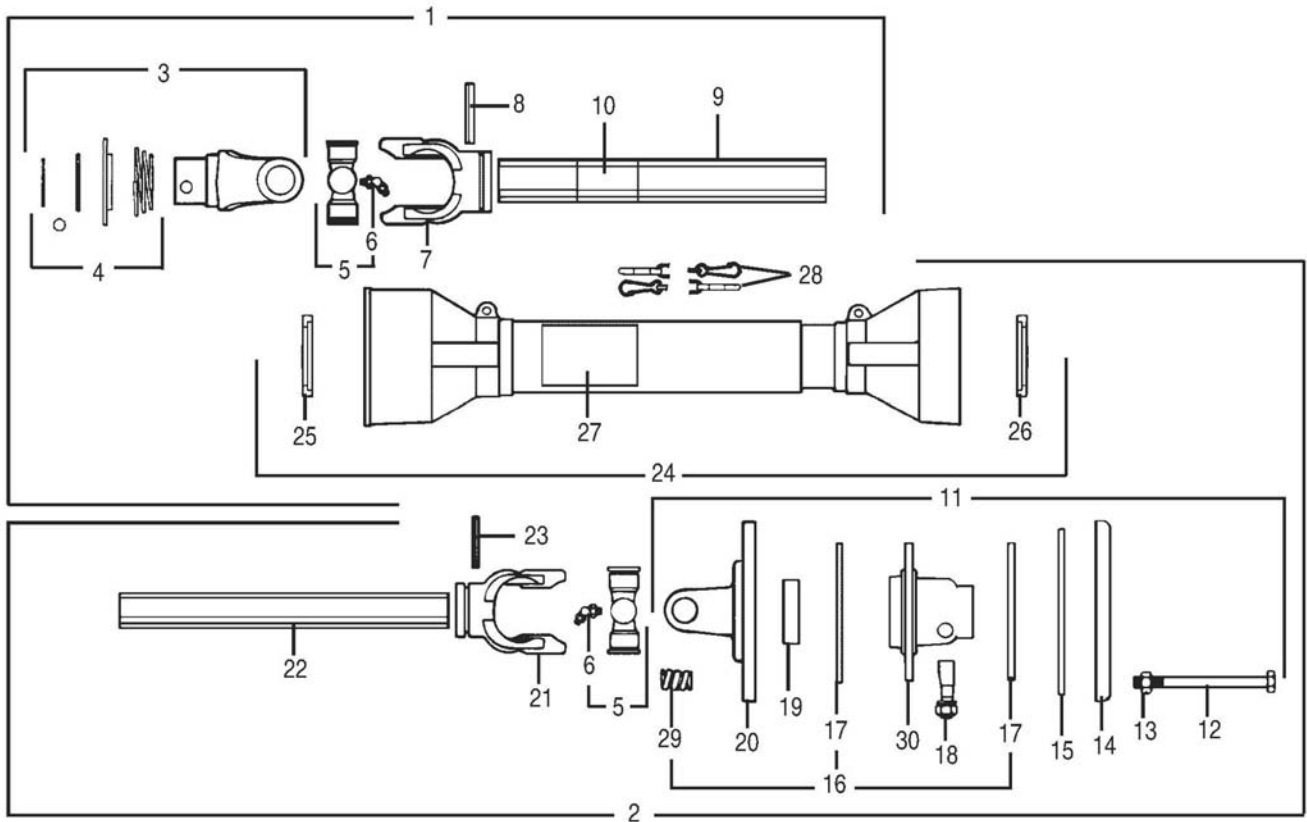
*Note: This gearbox (base part no. 70702) replaces the 70532 gearbox. All internal parts are the same except the gears. Both use 18 tooth gears, but the 70532 uses part no. 70249 instead of 70701. These gears will not mate properly if mixed.*



REF. NO.	PART NO.	QTY.	DESCRIPTION
1	70329	A/R	Shim .3mm
	70330	A/R	Shim .4mm
	70331	A/R	Shim .5mm
	70332	A/R	Shim 1.3mm
2	70229	1	Bearing
*3	70152	1	Gasket
4	70092	1	Cover
5	70701	2	Gear 18 Tooth
6	70248	1	Shoulder Ring
7	70442	1	Flatwasher
8	70546	1	Vent Plug
9	70326	4	Hex Bolt M8 x 16 G8.8
10	70137	1	Bearing
11	70138	1	Take Up Ring
12	70292	1	Plug 3/8" Gas
13	N/A	1	Plate
14	70337	A/R	Shim .3mm
	70338	A/R	Shim .4mm
	70339	A/R	Shim .5mm
	70340	A/R	Shim 1.0mm
15	70441	1	Screw, Counter Sink M14 x 45
16	70251	1	Spacer
17	70795	2	Bearing
18	70093	1	Housing
19	70440	1	Shaft
20	70076	1	Castle Nut M30 x 26
21	70077	1	Flatwasher
22	70079	1	Shoulder Ring
23	70242	1	Dust Excluder 45 x 80 x 10
24	70133	1	Internal Circlip
25	70134	1	Dust Excluder 35 x 72 x 12
26	70553	1	Shaft 1-3/8" - 21 Spline
27	15473	1	Cotter Pin 1/4" x 2-1/2"

\*May apply silicone sealer in place of gasket.

Abbreviations  
A/R - As Required  
N/A - Not Available

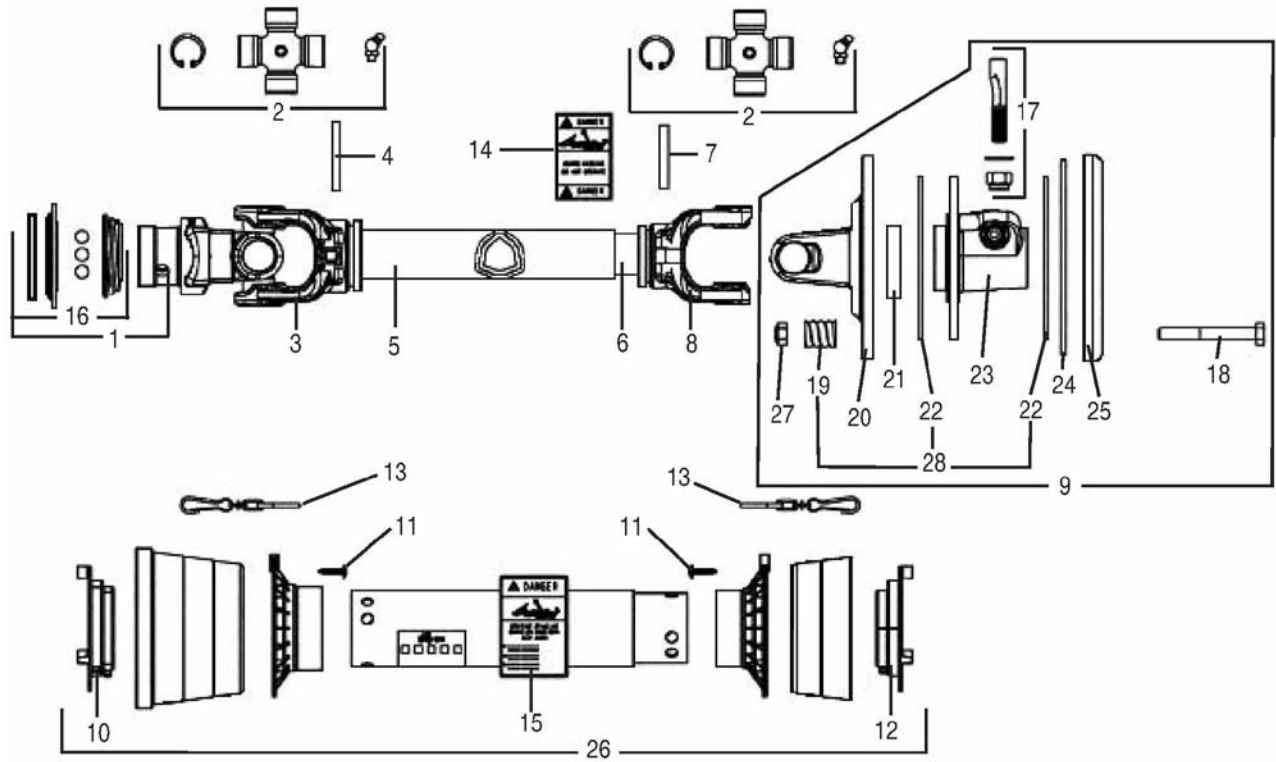


**50034239 DRIVESHAFT ASSEMBLY W/ CLUTCH**

**(REPLACED BY 50063611 DRIVESHAFT ASSEMBLY)**

**1-3/8" – 6 Spline, 540 RPM, Mfd. by Binacchi  
Used On Model SQ84T**

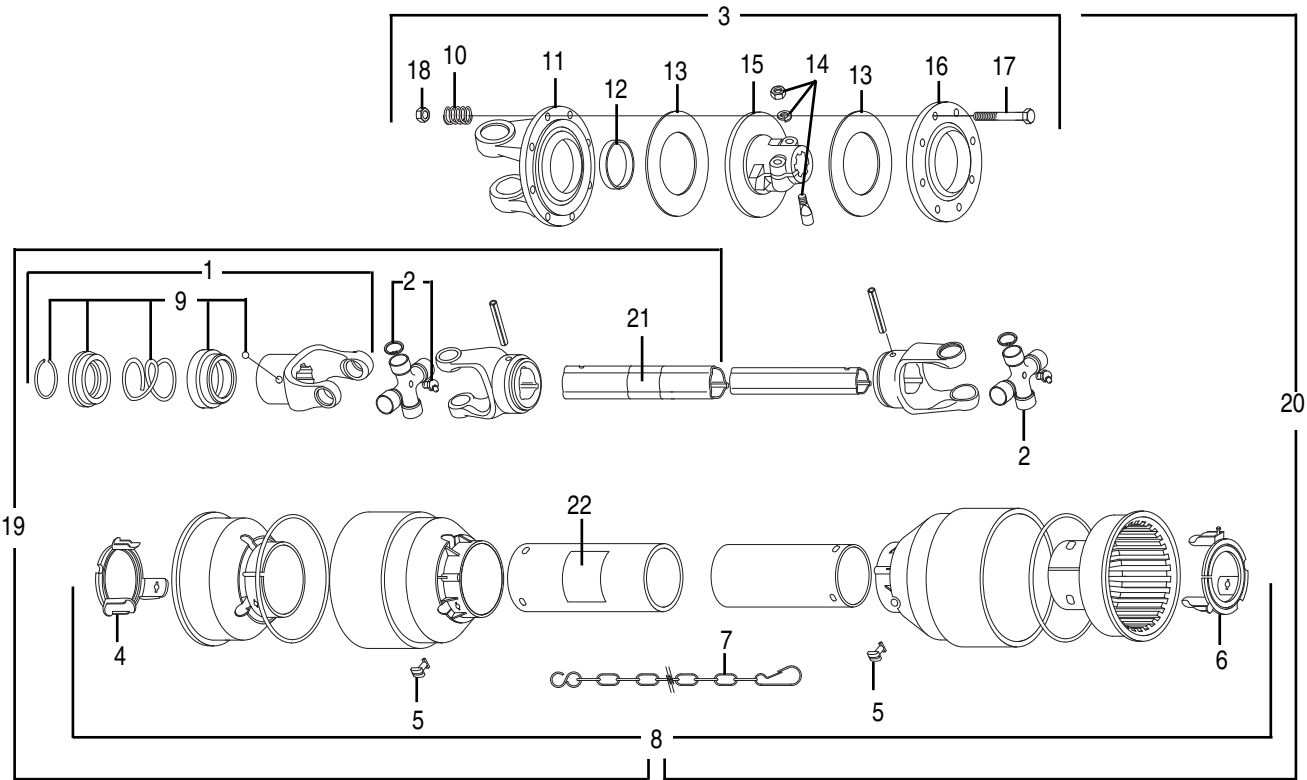
REF. NO.	PART NO.	QTY.	DESCRIPTION	REF. NO.	PART NO.	QTY.	DESCRIPTION
1	50035268	1	Front Half, Complete (50034239)	17	91561	1	Lining
2	50035264	1	Rear Half, Complete (50034239)	18	90938	1	Pivot Assy.
3	50035260	1	Complete Collar Yoke		—	1	Flatwasher M12
4	50035261	1	Ball Collar Kit		—	1	Hex Nut M12 x 1.75
5	64694	2	Cross Bearing Kit	19	64828	1	Bushing
6	63956	2	Grease Fitting	20	68969	1	Flange
7	78571	1	Yoke, Outer Tube	21	78570	1	Yoke, Inner Tube
8	78577	1	Flexible Pin	22	82801	1	Inner Tube (50034239)
9	82800	1	Outer Tube (50034239)	23	78578	1	Flexible Pin
10	78786	1	Danger Decal	24	50035290	1	Shield Assembly (50034239)
11	86667	1	Torque Limiter	25	90008	1	Shield Bearing, Outer Shield
12	44155	8	Capscrew M10 x 1.5 x 85	26	50042832	1	Shield Bearing, Inner Shield
13	44154	8	Locknut M10 x 1.5	27	78608	1	Danger Decal
14	64649	1	Pressure Plate	28	64814	2	Safety Chain
15	64650	1	Inner Plate	29	64657	8	Spring
16	95781	1	Torque Limiter Kit	30	86589	1	Hub



**50063611 DRIVESHAFT ASSY.**  
 (Replaced the 50034239 Driveshaft Assy.)  
**(REPLACED BY 50074076SP DRIVESHAFT ASSY.)**  
 Mfd. by Bondioli & Pavesi  
 B & P Size 4 - ASAE Size 3  
 540 RPM

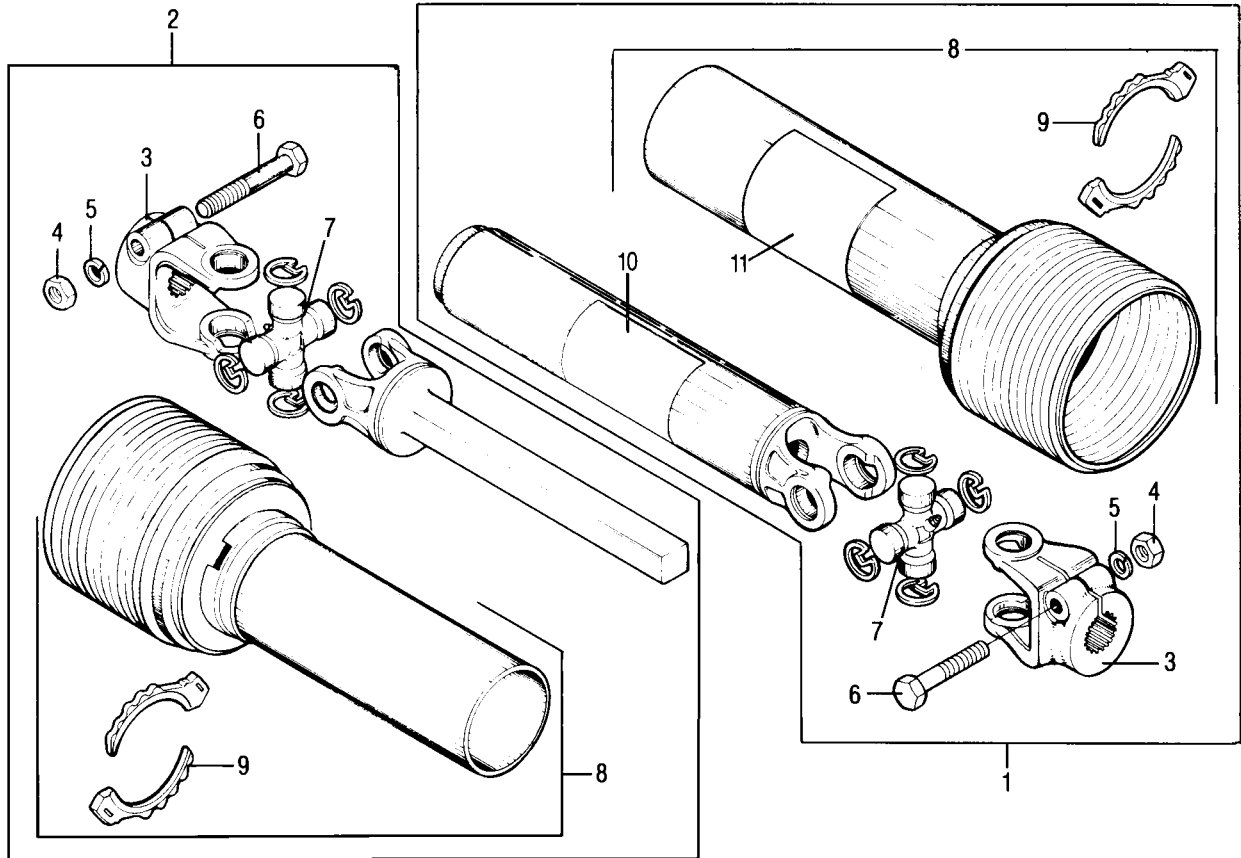
REF. NO.	PART NO.	QTY.	DESCRIPTION
1	50064902	1	Complete Collar Yoke
2	64694	2	Cross Bearing Kit
3	78571	1	Yoke for Outer Tube
4	78577	1	Roll Pin, Outer Tube
5	50064906	1	Outer Tube
6	50064907	1	Inner Tube
7	78578	1	Roll Pin, Inner Tube
8	78570	1	Yoke for Inner Tube
9	N/A	1	Order Complete Driveline Assy.
10	50064911	1	Outer Shield Bearing
11	71404	6	Self Tapping Screw
12	50064912	1	Inner Shield Bearing
13	50064890	2	Chain, Shield
14	78786	1	Danger Decal, Outer Tube
15	78608	1	Danger Decal, Outer Shield Tube
16	50064645	1	Ball Collar Repair Kit
17	50064192	1	Taper Pin Kit
18	44155	8	Capscrew M10 x 1.5 x 85 Gr. 8.8
19	64657	8	Spring
20	50064173	1	Flange Yoke
21	64828	1	Bushing #4 Clutch
22	50042344	2	Lining, 77 x 141 x 3.2MM
23	N/A	1	Order Complete Driveline Assy.
24	50063437	1	Inner Plate
25	64649	1	Pressure Plate
26	50064920	1	Shield Assy. Complete
27	44154	8	Locknut, M10 x 1.5
28	50065270	1	Torque Limiter Repair Kit





**50053126 DRIVESHAFT W/ SLIP CLUTCH  
 (REPLACED BY 50074076SP DRIVESHAFT ASSEMBLY)  
 540 RPM, 1-3/8" - 6 Spline, Mfd. by Comer  
 Used On Model SQ84T**

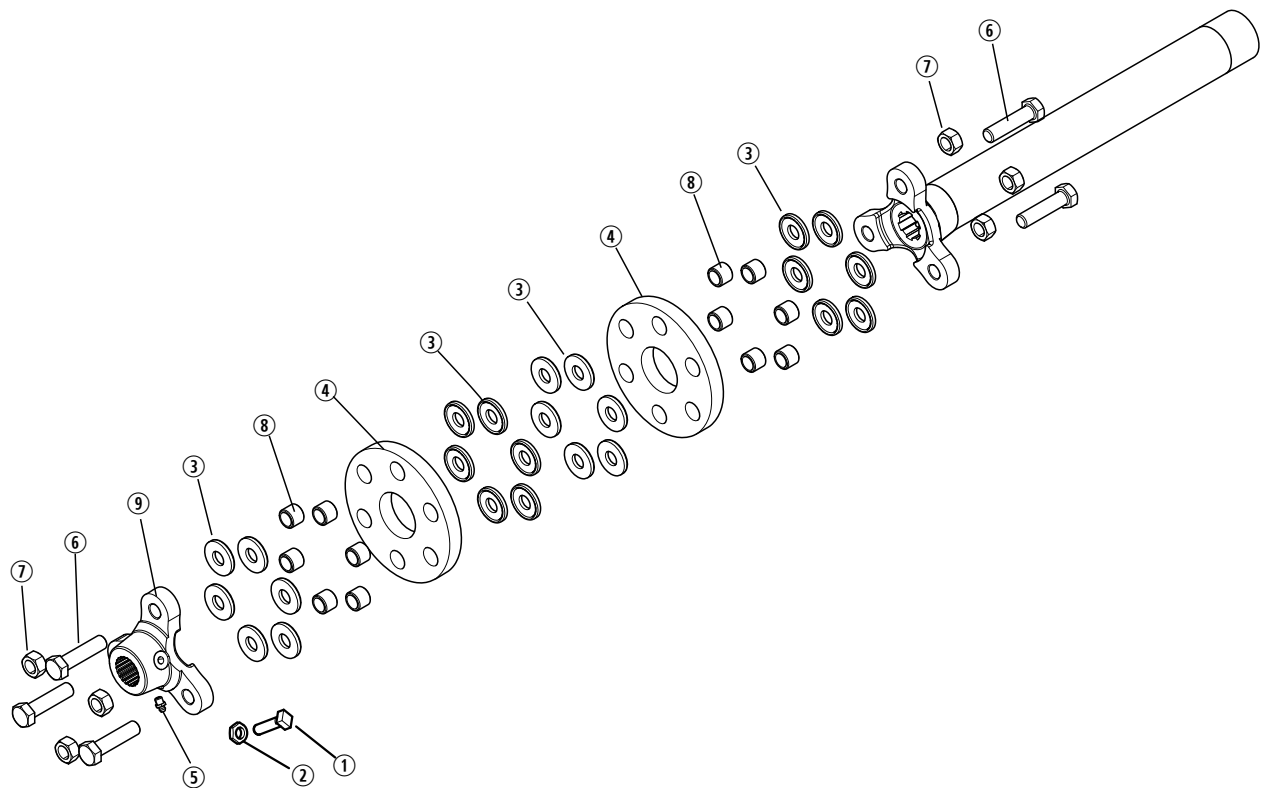
REF. NO.	PART NO.	QTY.	DESCRIPTION	REF. NO.	PART NO.	QTY.	DESCRIPTION
1	76711	1	Complete Collar Yoke	13	76194	2	Lining Ring
2	64694	2	Cross Journal Set	14	76064	1	Tapered Pin Set 1-3/8"
3	76152	1	Complete Disc Clutch	15	76161	1	Clutch Support
4	50053143	1	Guard Retaining Collar, Outer	16	76196	1	Pressure Plate
5	50050289	6	Bolt	17	44300	8	Capscrew M10 x 1.25 x 80
6	50053144	1	Guard Retaining Collar, Inner	18	44298	8	Hex Nut M10 x 1.25
7	64814	2	Safety Chain	19	50053146	1	Half Female Shaft w/ Shield (50053126)
8	50053161	1	Complete Shield (50053126)	20	50053162	1	Half Male Shaft w/ Shield (50053126)
9	50017480	1	Ball Collar Kit 1-3/8"	21	78786	1	Danger Decal, Outer Tube
10	76080	8	Spring	22	78608	1	Danger Decal, Outer Shield
11	76159	1	Flanged Yoke				
12	76195	1	Bushing				



**79008 OUTBOARD DRIVESHAFT ASSEMBLY**  
**HAYES DANA SERIES 1240**  
*Used on Model SQ84T*

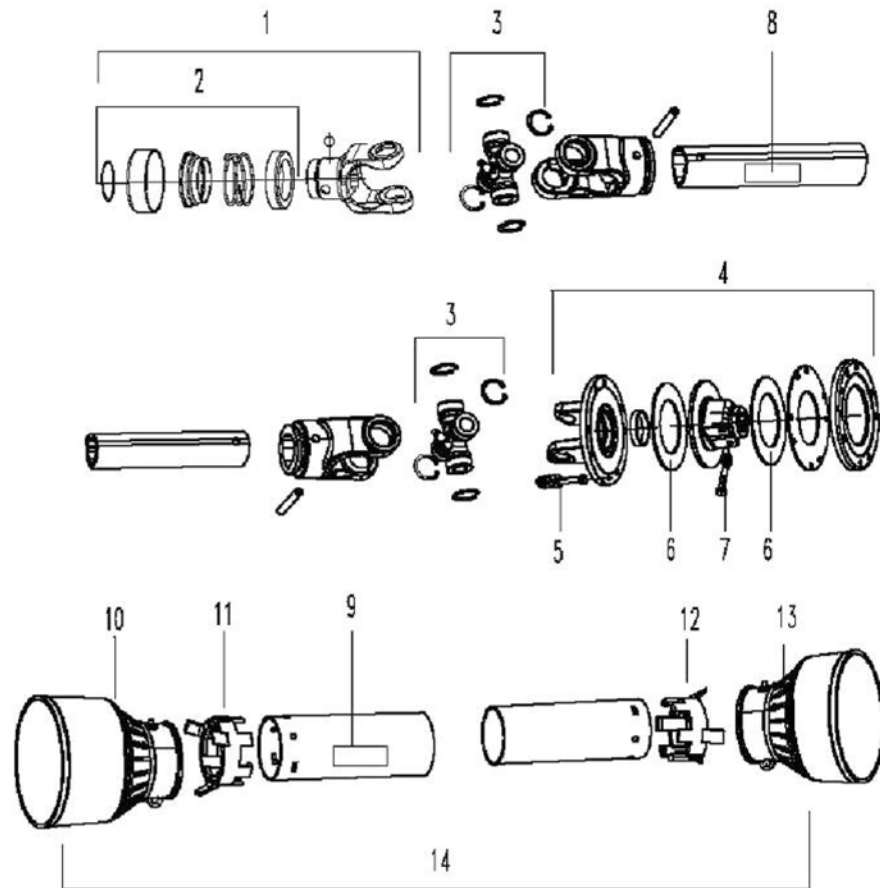
**REPLACED BY 50074856 FLEXIBLE COUPLING DRIVELINE**

REF. NO.	PART NO.	QTY.	DESCRIPTION
1	80314	1	Shielded Outer Half Assy.
2	80313	1	Shielded Inner Half Assy.
3	80316	2	Yoke
4	8151600	2	Hex Nut 1/2" – 13 UNC
5	15806	2	Lockwasher 1/2"
6	19044	2	Capscrew 1/2" – 13 UNC x 2-3/4"
7	80315	2	Cross Bearing kit
8	80312	1	Shield Kit w/ Bearings
9	80068	4	Shield Bearing
10	78608	1	Decal, Shield Missing
11	78786	1	Decal



**50074856 SINGLE FLEX COUPLER ASSEMBLY  
SHAFT 1-3/8" -21 SPLINES**

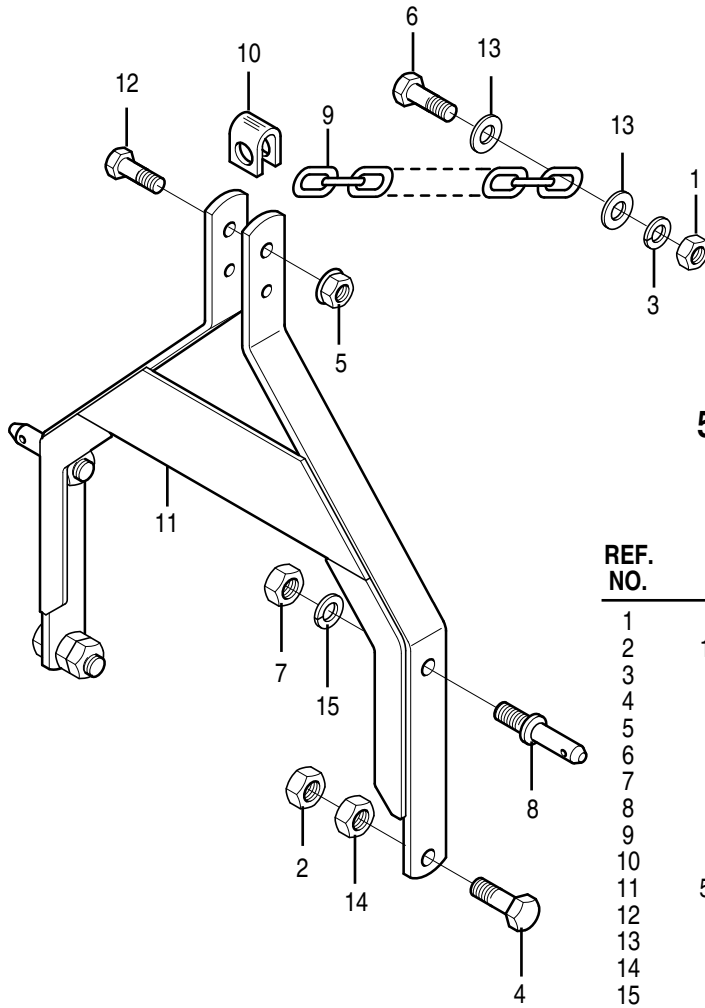
REF. NO.	PART NO.	DESCRIPTION	QTY.
1	10151200	Setscrew 3/8" x1	1
2	10151200	Jamnut 3/8"	1
	<b>50074856</b>	<b>Flex Coupler Assy</b>	<b>1</b>
3	50070520	Shaped Washer	24
4	50070521	Rubber Disk	2
5	50015923	Grease Fitting	1
6	44772BH	Capscrew M16 x 2 x 90	6
7	44406BH	Locking Nut M16	6
8	50070522	Bushing, Coupler	12
9	50070524	Yoke, Flex Connector	1



**50074076SP Driveshaft Assembly  
Used On: SQ84T**

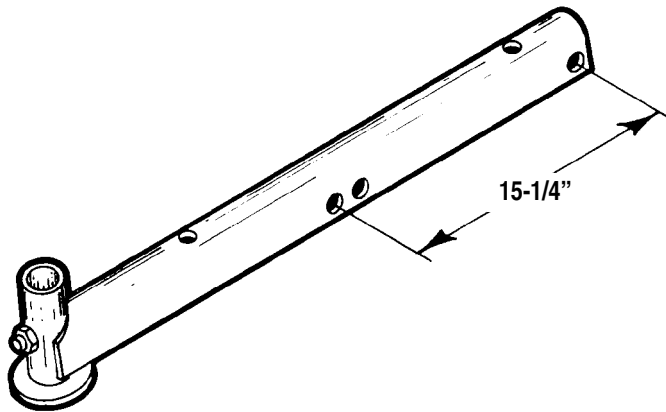
NOTE: This Driveshaft replaces the  
50063611SP Driveshaft used on the SQ84T Models  
50053126 SP Driveshaft used on the SQ84T Models

REF. NO.	PART NO.	DESCRIPTION	QTY.
	50074076SP	Driveshaft Assembly	1
1	50074280	Yoke With Collar	1
2	50074281	Collar Kit	1
3	50074282	Cross Kit	2
4	50074283	Friction Clutch	1
5	50074284	Spring And Bolt Kit	8
6	76194	Clutch Pad	1
7	50074285	Clamp Pin For Hub	2
8	78786	Safety Decal Inner	1
9	78608	Safety Decal Outer	1
10	N/A	Outer Shield Cone	1
11	50074286	Outer Shield Bearing	1
12	50074287	Inner Shield Bearing	1
13	N/A	Inner Shield Cone	1
14	50074288	Shield Complete	1



**50030681 "A" FRAME ASSEMBLY**  
Used on Model SQ84T

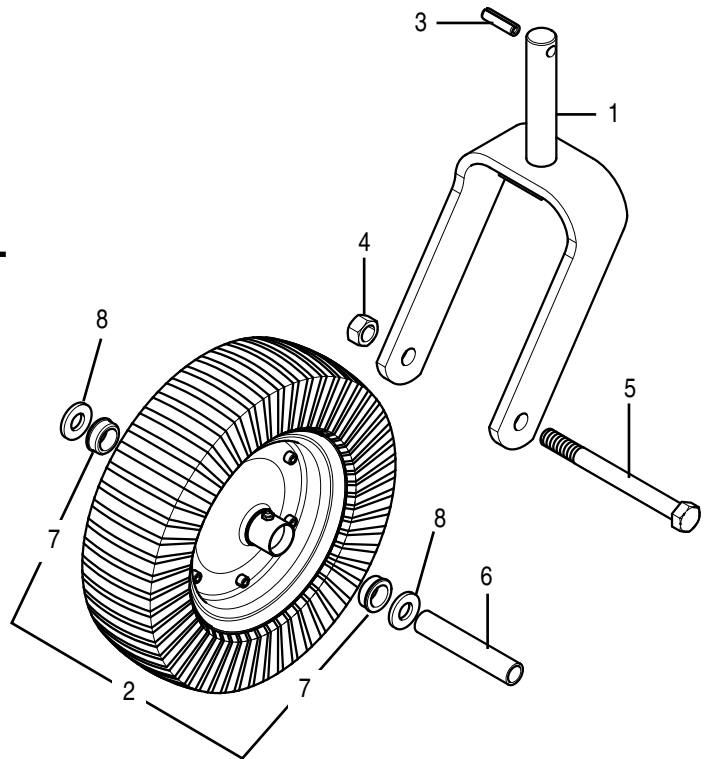
REF. NO.	PART NO.	QTY.	DESCRIPTION
1	—	1	Hex Nut 5/8" - 11 UNC
2	10152800	2	Locknut 7/8" - 9 UNC
3	—	1	Lockwasher 5/8"
4	—	2	Capscrew 7/8" - 9 UNC x 2-1/2" Gr.5
5	20414	1	Flanged Locknut 5/8" - 11 UNC
6	—	1	Capscrew 5/8" - 11 UNC x 5-1/2" Gr.5
7	67	2	Nut 7/8" - 14 UNF
8	65	2	Lift Pin
9	78461	1	Chain
10	66377	1	Attaching Spacer
11	50028391	1	"A" Frame
12	—	1	Capscrew 5/8" - 11 UNC x 4" Gr.5
13	—	2	Flatwasher 5/8"
14	—	2	Hex Nut 7/8" - 9 UNC
15	—	2	Lockwasher 7/8"



**83206 TAILWHEEL BEAM**  
Used On Model SQ84T

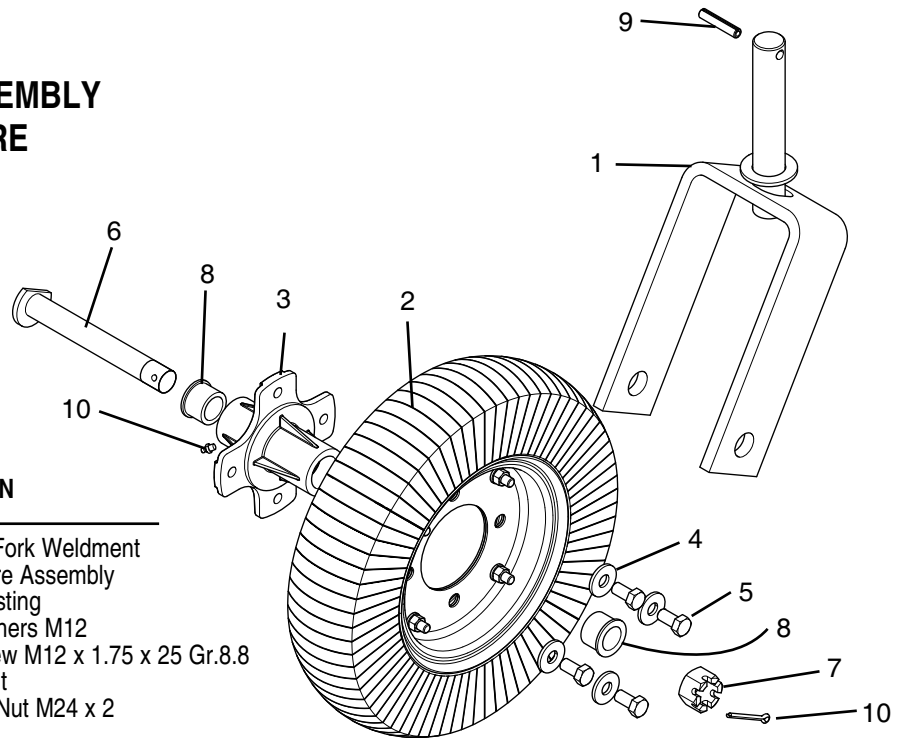
**95542SP CASTER ASSEMBLY  
WITH LAMINATED TIRE**  
Used on: SQ84T  
(Replaced By 50067489 Assembly)

REF. NO.	PART NO.	QTY.	DESCRIPTION
1	99929	1	Caster Fork Weldment
2	50070822	1	Wheel Assembly
3	20981	1	Roll Pin 1/2" x 1-3/4"
4	20638	1	Locknut 3/4"
5	20946	1	Capscrew 3/4" X 8"
6	12263	1	Spacer Tube
7	50058328	2	Bushing 1"
8	50028263	2	Washer



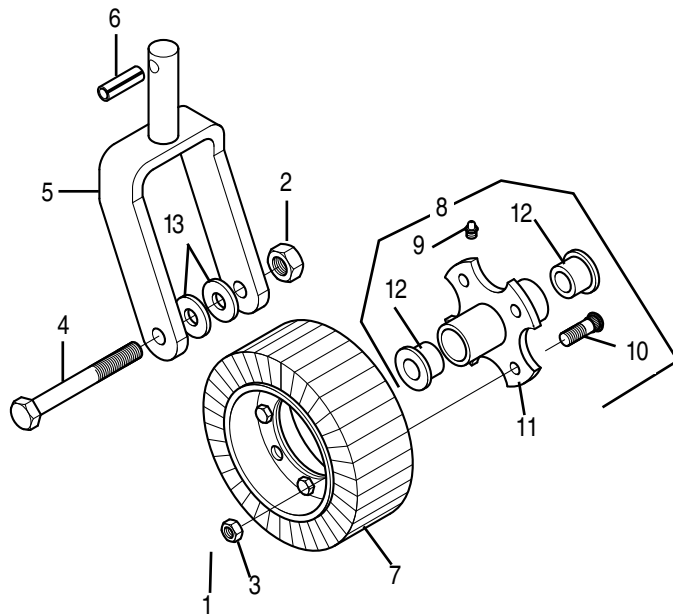
**50067489SP CASTER ASSEMBLY  
WITH LAMINATED TIRE**  
Used on: SQ84T

REF. NO.	PART NO.	QTY.	DESCRIPTION
1	50067492	1	Caster Fork Weldment
2	500	1	Solid Tire Assembly
3	50067490	1	Hub Casting
4	44269	4	Flatwashers M12
5	44204	4	Capscrew M12 x 1.75 x 25 Gr.8.8
6	50067488	1	Axle Bolt
7	50067496	1	Slotted Nut M24 x 4
8	50067491	2	Bushing
9	50067495	1	Roll Pin M10 x 50
10	20167	1	Cotter Pin 3/16" x 2"
11	50012411	1	Grease Fitting



### 95545SP LAMINATED TIRE ASSEMBLY

Used on: SQ84T



REF. NO.	PART NO.	QTY.	DESCRIPTION
1	15507	4	Hex Nut 1/2" NF
2	20638	1	Locknut 3/4"
3	—	4	Lockwasher 1/2"
4	20946	1	Capscrew 3/4" x 8"
5	99929	1	Fork Weldment
6	20981	1	Roll Pin 1/2" x 1-3/4"
7	500BH	1	Tire Assembly
8	63813	1	Hub Assembly
9	449BH	1	Grease Fitting
10	20987	4	Wheel Bolt
11	60990	1	Hub Weldment
12	63811	2	Bushing
13	50028263	2	Washer









**BUSH HOG®**

2501 GRIFFIN AVE. • SELMA, AL 36703  
[WWW.BUSHHOG.COM](http://WWW.BUSHHOG.COM)