

BUSH HOG®

SKID STEER SNOW BLOWERS
Models:
SBSS760, SBSS761,
SBSS762, SBSS763,
SBSS764 & SBSS765

Revised 05/19

MATERIAL HANDLING PARTS MANUAL

PARTS MANUAL SECTION 57C



An Operator's Manual was shipped with the equipment . The Operator's Manual is an integral part of the safe operation of this machine and must be maintained with the unit at all times. **READ, UNDERSTAND, and FOLLOW** the Safety and Operation Instructions contained in this manual before operating the equipment. If the Operator's Manual is not with the equipment, contact your dealer or Bush Hog to obtain a Free copy before operating the equipment.



BUSH HOG®

2501 Griffin Ave.
Selma, AL 36703
Parts Ordering 1-800-304-2836
www.bushhog.com

ATENCIÓN! LEA EL INSTRUCTIVO

Si No Lee Ingles, Pida Ayuda a Alguien
Que Si Lo Lea Para Que le Traduzca las
Medidas de Seguridad.



A MEMBER OF THE
ALAMO GROUP
ALWAYS ON THE CUTTING EDGE®

© 2018 Alamo Group Inc.

TABLE OF CONTENTS

Decal Locations, SBSS760 Series.....	57C-1-1
Safety Decal Pictorials	57C-1-2
Marking Decal Pictorials	57C-1-3
Base Parts	57C-1-4, 57C-1-5
Hydraulic Parts (SBSS760, SBSS761 & SBSS762).....	57C-1-6
Hydraulic Parts (SBSS763 & SBSS764).....	57C-1-7
Hydraulic Parts (SBSS765).....	57C-1-8
Valve Block w/Hydraulic Fittings	57C-1-9
Hydraulic Chute Rotator, SBSS760 Series	57C-1-10
Deflector Kit, Hydraulic.....	57C-1-11

WARRANTY and LIMITATIONS of LIABILITIES

Two Year Limited Consumer Warranty Five Year Limited Consumer Warranty on Gearboxes 90 Day Limited Commercial Warranty including Gearboxes

Commercial includes rental and industrial applications.

Warranty begins at the time of customer delivery and is activated upon warranty registration receipt at Bush Hog Inc.

Keep your warranty registration in a safe place, it is required as proof of warranty activation.

This new and unused product is warranted by Bush Hog Inc. to be free from defects in material and workmanship under normal use and regular service as described in the owner's manual, for a consumer period of 2 years and 5 years for gearboxes, from the date of delivery, and commercial period of 90 days, including gearboxes, from date of delivery. Warranty is limited to the replacement of parts and / or repair of the product.

If issues develop within the warranty period with the product, contact the local dealer from which you purchased the unit. Only Bush Hog authorized dealers may make repairs to the product affect the replacement of defective parts, unless otherwise approved by Bush Hog. Repairs / replacement will be done at no charge within a reasonable time after the receipt of the product. This warranty does not cover the following items:

1. Normal replacement of service items
2. Normal maintenance or adjustments.
3. Machines or parts lost or damaged during shipment.
4. Accessory items / parts not supplied by Bush Hog.
5. Damages resulting from:
 - misuse, negligence, accident, theft or fire
 - use of improper or insufficient fuel, fluid or lubricants
 - use of after market parts or accessories, unless approved by Bush Hog
 - modifications, alteration, tampering or improper repair
 - any device or accessories installed other than an authorized dealer.

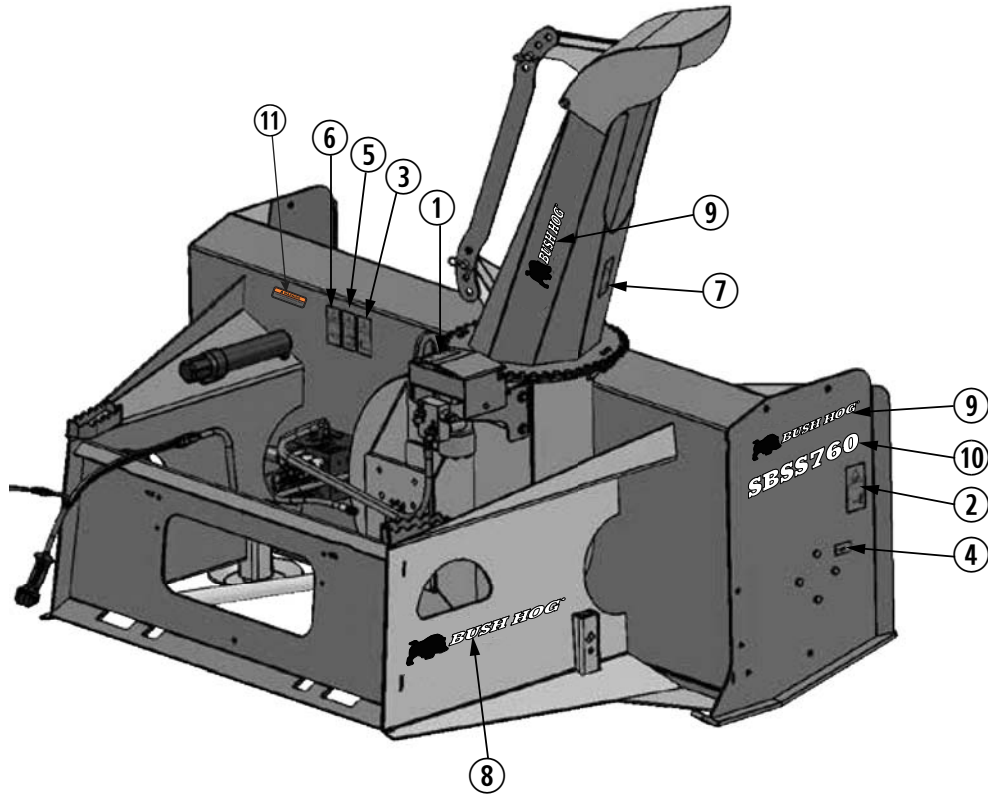
Bush Hog Inc. shall not, in any event, be liable for any losses, damages or cost: to include profits, travel, transportation, pick up, delivery, towing cost, tow vehicle, loss of us, whether special, incidental, consequential or otherwise, in any way. Unit or parts are returned at customer's expense.

Include a copy of your completed Warranty Registration Form with any claim as proof of warranty activation.

There are no warranties, expressed or implied, other than those specified here in. No agent, employee or other person has any authority to vary any of the foregoing provisions.

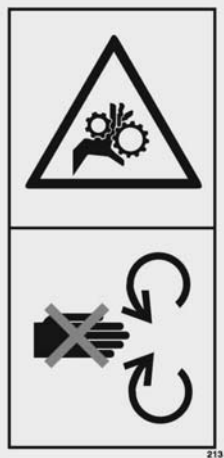
Warranty coverage is null and void unless the Warranty Registration form has been completed in full and is on file at Bush Hog Inc. Warranty begins at the time of customer delivery and is activated upon receipt at Bush Hog Inc.

SBSS760 Series Snow Blower Decal Locations



Ref. No.	Part No.	Description	Qty. Req'd.
1	50079562	Decal, Danger - Do not open or remove safety shields while engine is running	1
2	50079566	Decal, Warning - Stay clear of rotating auger	2
3	50079569	Decal, Warning - Read Operators Manual	1
4	50079568	Decal, Lubrication Points	1
5	50079565	Decal, Warning - Shut off engine and remove key before performing maintenance or repair work	1
6	50079567	Decal, Warning - Avoid fluid escaping under pressure. Consult Technical Manual for service procedure	1
7	50079564	Decal, Warning - Keep safe distance from this machine	1
8	50065309	Decal, Bush Hog, 3.25" x 14.85"	1
9	50058089	Decal, Bush Hog, 2.42" x 11.00"	4
10	50079160	Bush Hog Model Decal, SBSS760	2
	50079161	Bush Hog Model Decal, SBSS761	2
	50079162	Bush Hog Model Decal, SBSS762	2
	50079163	Bush Hog Model Decal, SBSS763	2
	50079164	Bush Hog Model Decal, SBSS764	2
	50079165	Bush Hog Model Decal, SBSS765	2
11	D960	Decal, Warning - P65 Warning.ca.gov.	1

SAFETY DECAL PICTORIALS



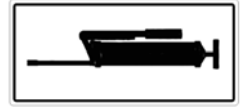
1



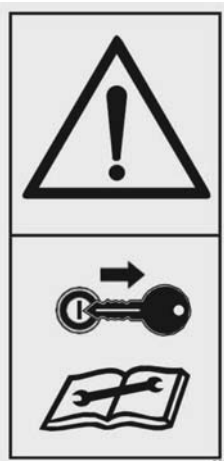
2



3



4



5



6



7



8

Ref. No.	Part No.	Description	Qty. Req'd.
1	50079562	Decal, Danger - Do not open or remove safety shields while engine is running	1
2	50079566	Decal, Warning - Stay clear of rotating auger	2
3	50079569	Decal, Warning - Read Operators Manual	1
4	50079568	Decal, Lubrication Points	1
5	50079565	Decal, Warning - Shut off engine and remove key before performing maintenance or repair work	1
6	50079567	Decal, Warning - Avoid fluid escaping under pressure. Consult technical manual for service procedure	1
7	50079564	Decal, Warning - Keep safe distance from this machine	1
8	D960	Decal, Warning - P65 Warnings.ca.gov.	1

MARKING DECAL PICTORIALS

SBSS760

1

SBSS761

2

SBSS762

3

SBSS763

4

SBSS764

5

SBSS765

6



BUSH HOG®

7

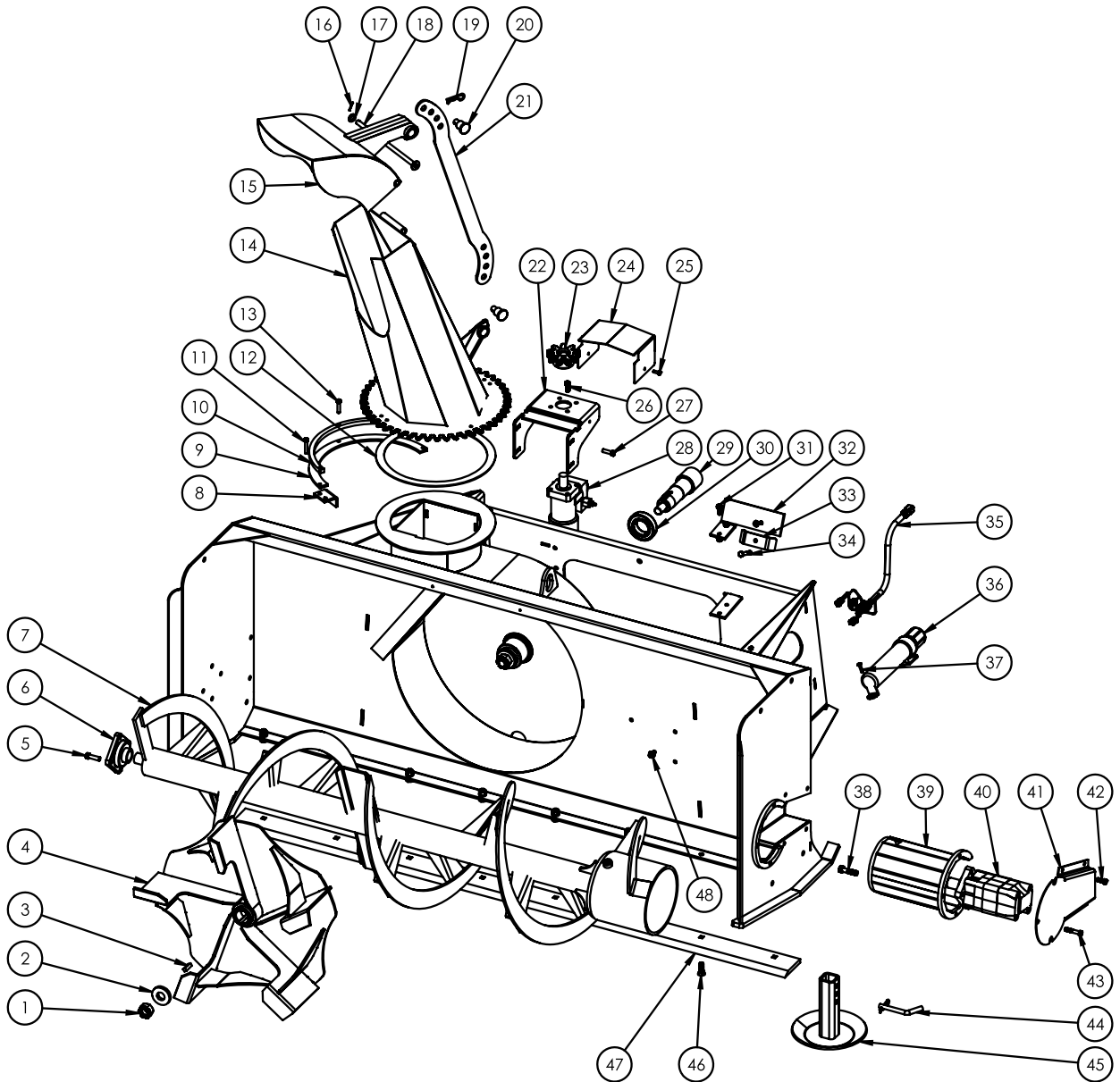
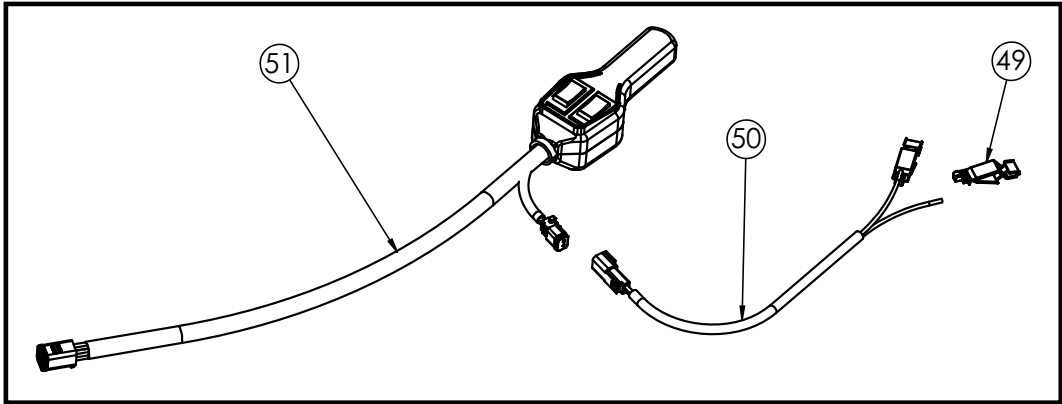


BUSH HOG®

8

Ref. No.	Part No.	Description	Qty. Req'd.
1	50079160	Model Decal, SBSS760	2
2	50079161	Model Decal, SBSS761	2
3	50079162	Model Decal, SBSS762	2
4	50079163	Model Decal, SBSS763	2
5	50079164	Model Decal, SBSS764	2
6	50079165	Model Decal, SBSS765	2
7	50058089	Bush Hog Decal 2.42" x 11"	4
8	50065309	Bush Hog Decal 3.25" x 14.85"	1

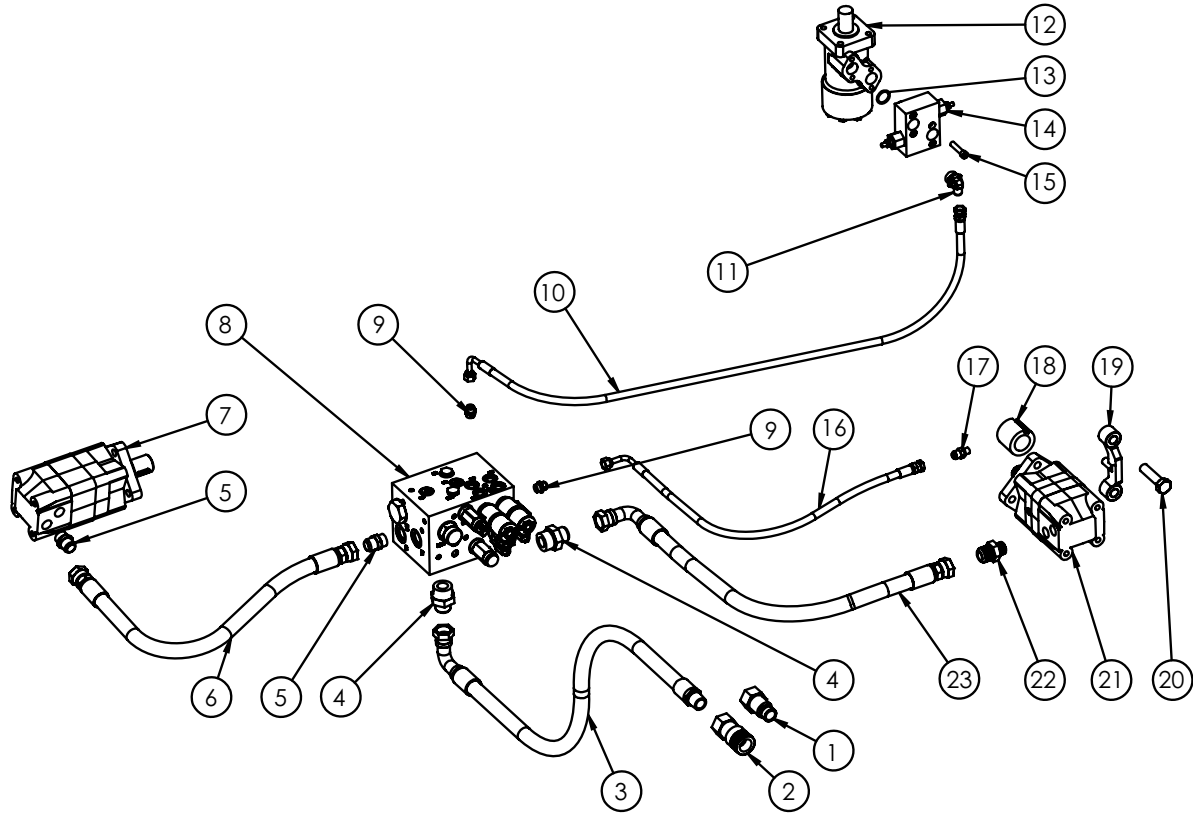
SBSS760 Series Snow Blower Base Parts



SBSS760 Series Snow Blower Base Parts

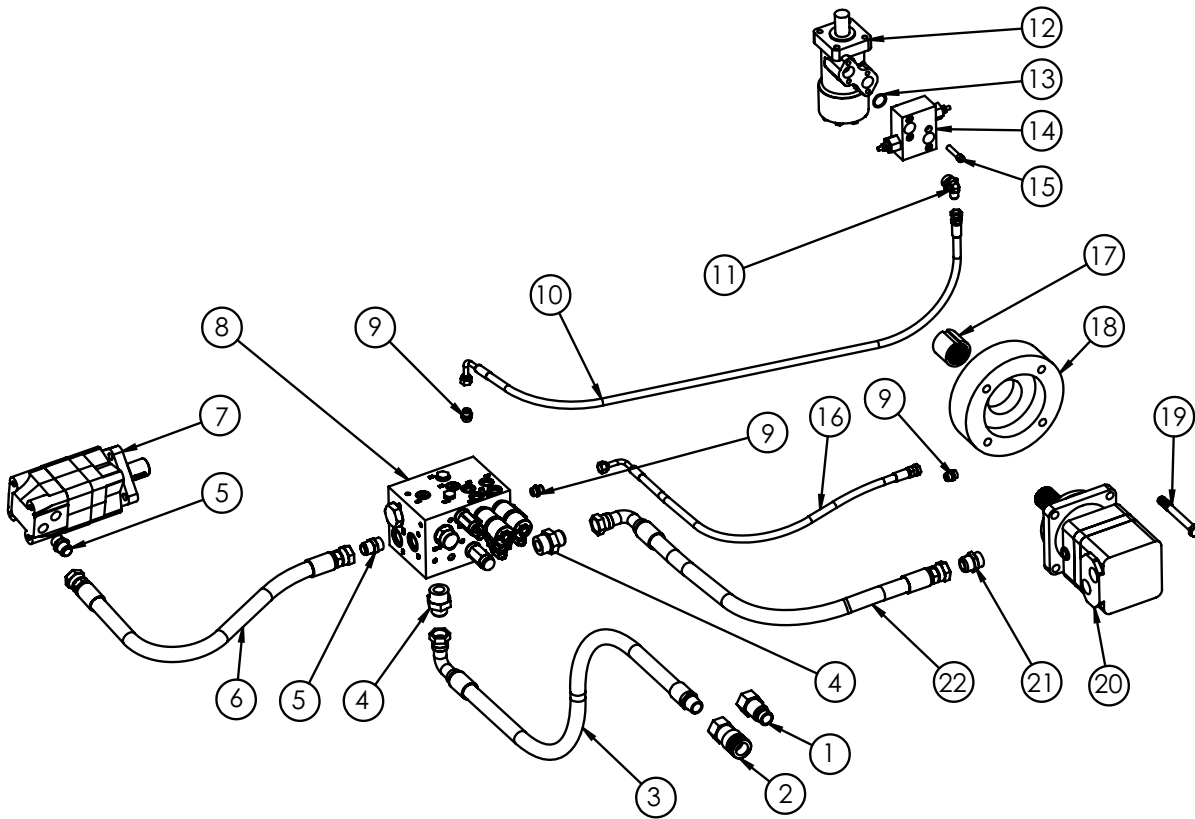
Ref. No.	Part No.	Description	Qty. Req'd
1	----	Nut	1
2	----	Washer	1
3	50079261	Fan Key	1
4	50079222	Fan	1
5	----	Bolt, 7/16" x 1-1/2" c/w LW, Nut	4
6	50079375	Bearing	1
7	50079297	76" auger	1
8	50079294	Chute Stop	1
9	50079227	Lower Chute Clamp	2
10	50079226	Chute Clamp Spacer	2
11	----	Bolt, 5/16" x 1-3/4" c/w LW, Nut	2
12	50079376	Anti Friction Ring	1
13	----	Bolt, 5/16" x 1-1/2" c/w LW, Nut	4
14	50079281	Chute	1
15	50079282	Deflector	1
16	----	Cotter Pin, 1/8" x 1"	1
17	----	Flatwasher, 1/2" SAE	1
18	50079223	Deflector Hinge Pin	1
19	----	Hair Pin, 5/16"	2
20	50079230	Adjuster Pin	2
21	50079199	Adjuster Bar	1
22	50079292	Chute Rotator Mount	1
23	50079377	Chute Rotator Gear	1
24	50079293	Chute Rotator Cover	1
25	----	Bolt, 1/4" x 3/4" c/w LW, Nut	2
26	----	Bolt, 3/8" x 1" c/w LW	4
27	----	Bolt, 3/8" x 1-1/4" c/w FW, LW, Nut	4
28	----	Rotator Motor (See Hydraulic Parts)	1
29	50079232	Drive Spindle	1
30	50079378	Fan Bearing	2
31	----	Bolt, 3/8" x 1" c/w LW	2
32	50079289	Hose Bracket	1
33	50079290	Hose Clamp	1
34	----	Bolt, 3/8" x 2-1/2" c/w Locknut	1
35	50079374	Blower Wiring Harness	1
36	50072113	Manual Tube	1
37	----	Flange Bolt, 1/4" x 1" c/w Flange Nut	2
38	----	Bolt, 1/2" x 2" c/w Locknut	2
39	50079224	Auger Motor Mount	1
40	----	Auger Motor (See Hydraulic Parts)	1
41	50079225	Auger Motor Cover	1
42	----	Bolt, 3/8" x 1" c/w LW, Nut	4
43	----	Bolt, 3/8" x 1" c/w LW, Nut	3
44	----	Bent Pin, 1/2"	2
45	50079229	Skid Shoe	2
46	----	Plow Bolt, 1/2" x 1-1/2" c/w LW, Nut	8
47	50079379	76" Cutting Edge	1
48	----	Flange Bolt, 3/8" x 3/4"	3
49	50079391	Battery Clamps	2
50	50079382	Battery Wire	1
51	50079381	Controller	1

SBSS760, SBSS761 & SBSS762 Snow Blower Hydraulic Parts



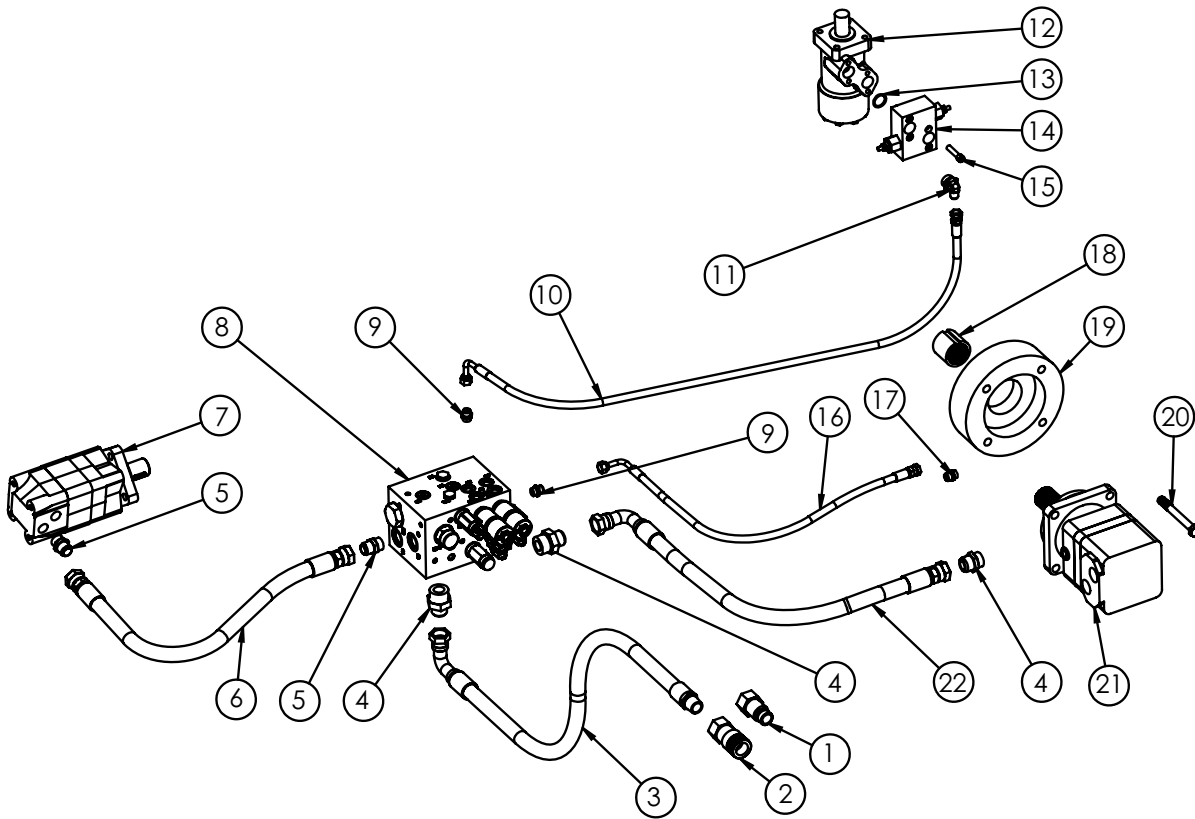
Ref. No.	Part No.	Description	Qty. Req'd
1	50079557	Male Flat Face Coupler	1
2	50079556	Female Flat Face Coupler	1
3	50079284	Main Hyd Hose	2
4	50079550	Hyd Adapter	4
5	50079547	Hyd Adapter	4
6	50079288	76" Auger Motor Hose	2
7	50079235	Auger Motor	1
8	50079173	Valve W/Hyd Fittings	1
9	50079546	Hyd Adapter	3
10	50079285	Rotator Motor Hose	2
11	50079552	Hyd Adapter	2
12	50079384	Rotator Motor	1
13	-----	O Ring, 3/32" x .75" ID	2
14	50079385	Relief Valve	1
15	-----	Socket Head Cap Screw, 5/16" x 1-1/2"	4
16	50079291	Case Drain Hose	1
17	50079545	Hyd Adapter	1
18	50079386	Coupler, 1-1/4"-14	1
19	50079187	Motor Clamp	2
20	-----	Bolt, 5/8"-18 x 2-1/2" c/w LW, Nut	4
21	50079387	Fan Motor, SBSS760	1
	50079388	Fan Motor, SBSS761	1
	50079238	Fan Motor, SBSS762	1
22	50079548	Hyd Adapter	2
23	50079283	Fan Motor Hose	2

SBSS763 & SBSS764 Snow Blower Hydraulic Parts



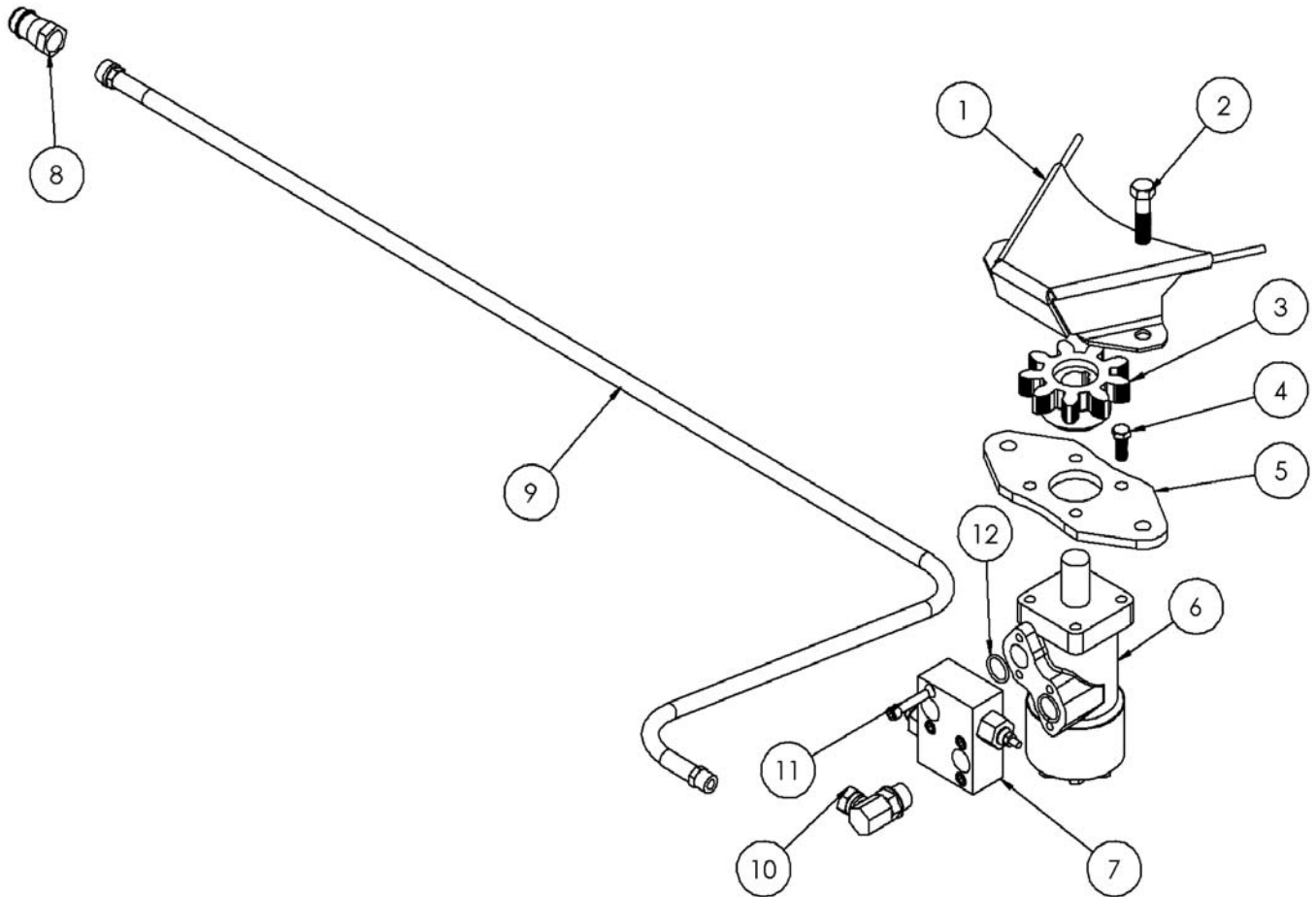
Ref. No.	Part No.	Description	Qty. Req'd
1	50079557	Male Flat Face Coupler	1
2	50079556	Female Flat Face Coupler	1
3	50079284	Main Hyd Hose	2
4	50079550	Hyd Adapter	4
5	50079547	Hyd Adapter	4
6	50079288	76" Auger Motor Hose	2
7	50079235	Auger Motor	1
8	50079173	Valve Block W/Hyd Fittings	1
9	50079546	Hyd Adapter	4
10	50079285	Rotator Motor Hose	2
11	50079552	Hyd Adapter	2
12	50079384	Rotator Motor	1
13	-----	O Ring, 3/32" x .75" ID	2
14	50079385	Relief Valve	1
15	-----	Socket Head Cap Screw, 5/16" x 1-1/2"	4
16	50079291	Case Drain Hose	1
17	50079389	Coupler, 1-1/2"-17	1
18	50079186	Motor Spacer	1
19	-----	Bolt, 1/2" x 4-1/2" c/w LW, Nut	4
20	50079236	Fan Motor, SBSS763	1
	50079237	Fan Motor, SBSS764	1
21	50079549	Hyd Adapter	2
22	50079283	Fan Motor Hose	2

SBSS765 Snow Blower Hydraulic Parts



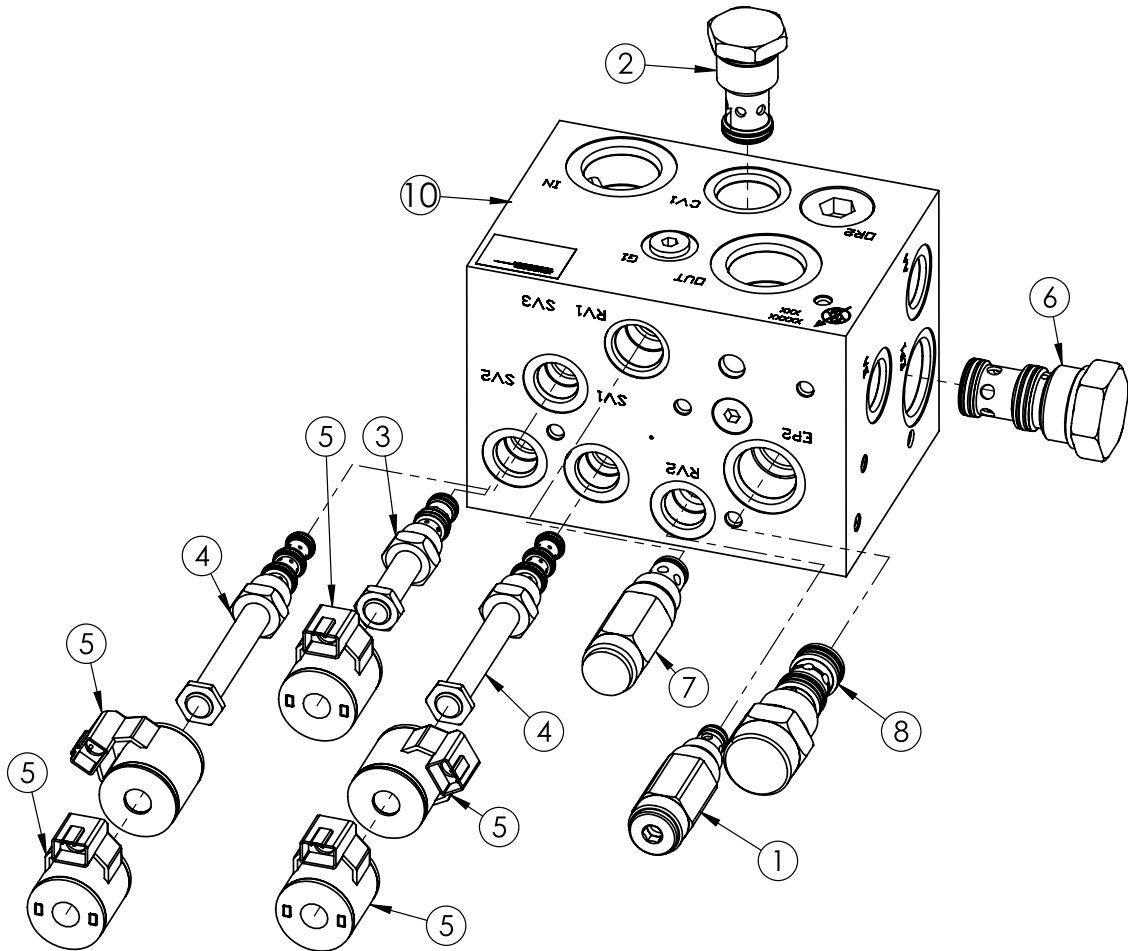
Ref. No.	Part No.	Description	Qty. Req'd
1	50079555	Male Flat Face Coupler	1
2	50079554	Female Flat Face Coupler	1
3	50079295	Main Hyd Hose	2
4	50079551	Hyd Adapter	6
5	50079547	Hyd Adapter	4
6	50079288	76" Auger Motor Hose	2
7	50079235	Auger Motor	1
8	50079173	Valve W/ Hyd Fittings	1
9	50079546	Hyd Adapter	3
10	50079285	Rotator Motor Hose	2
11	50079552	Hyd Adapter	2
12	50079384	Rotator Motor	1
13	-----	O Ring, 3/32" x .75" ID	2
14	50079385	Relief Valve	1
15	-----	Socket Head Cap Screw, 5/16" x 1-1/2"	4
16	50079291	Case Drain Hose	1
17	50079545	Hyd Adapter	1
18	50079389	Coupler, 1-1/2"-17	1
19	50079214	Motor Spacer	1
20	-----	Bolt, 1/2" x 3" c/w LW, Nut	4
21	50079239	Fan Motor, SBSS765	1
22	50079296	Fan Motor Hose	2

SBSS760 Series Snow Blower Hydraulic Chute Rotator



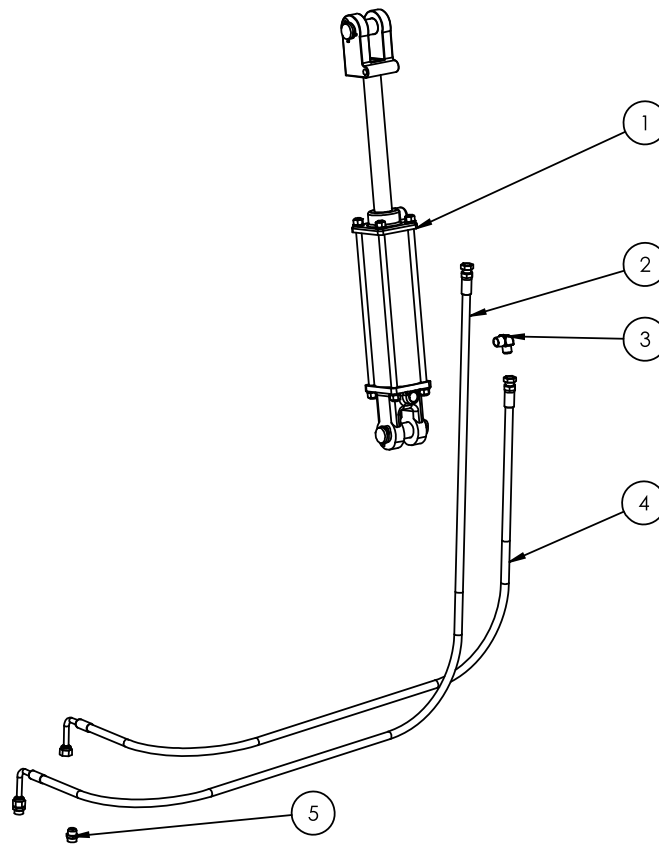
Ref. No.	Part No.	Description	Qty. Req'd
	50078918	Hydraulic Chute Rotator Assy	1
1	50079234	Shield	1
2	-----	Bolt, 1/2"-20 x 2", Lockwasher, Nut	2
3	50079508	Small Gear	1
4	-----	Bolt, 3/8" x 1", Lockwasher	4
5	50079505	Motor Bracket	1
6	50079506	Motor	1
7	50079507	Crossover Relief Valve	1
8	50079559	Tractor Adapter	2
9	50079233	Hydraulic Hose	2
10	50079542	Hydraulic Elbow	2
11	-----	Socket Head Cap Screw, 5/16" x 1-1/2"	4
12	-----	"O" Ring 3/32" x .75" ID	2

SBSS760 Series Snow Blower Valve Block w/Hydraulic Fittings



Ref. No.	Part No.	Description	Qty. Req'd
1	50079395	Relief	1
2	50079396	Check	1
3	50079397	Solenoid	1
4	50079398	Solenoid	2
5	50079399	Coil	5
6	50079400	Logic	1
7	50079401	Relief	1
8	50079402	Logic	1
9	50079403	Seal Kit (Not Shown)	1
10	-----	Valve Block	1

SBSS760 Series Snow Blower Hydraulic Deflector Kit



Ref. No.	Part No.	Description	Qty. Req'd
1	50079390	Cylinder, 2-1/2" x 8 "	1
2	50079287	Long Deflector Hose	1
3	50079454	Hydraulic Adapter	2
4	50079286	Short Deflector Hose	1
5	50079546	Hydraulic Adapter	2



BUSH HOG[®]

2501 GRIFFIN AVE. • SELMA, AL 36703
WWW.BUSHHOG.COM