



# PULL DISC HARROW

## BUSH HOG®

## MODELS DHP8, DHP10, DHP12

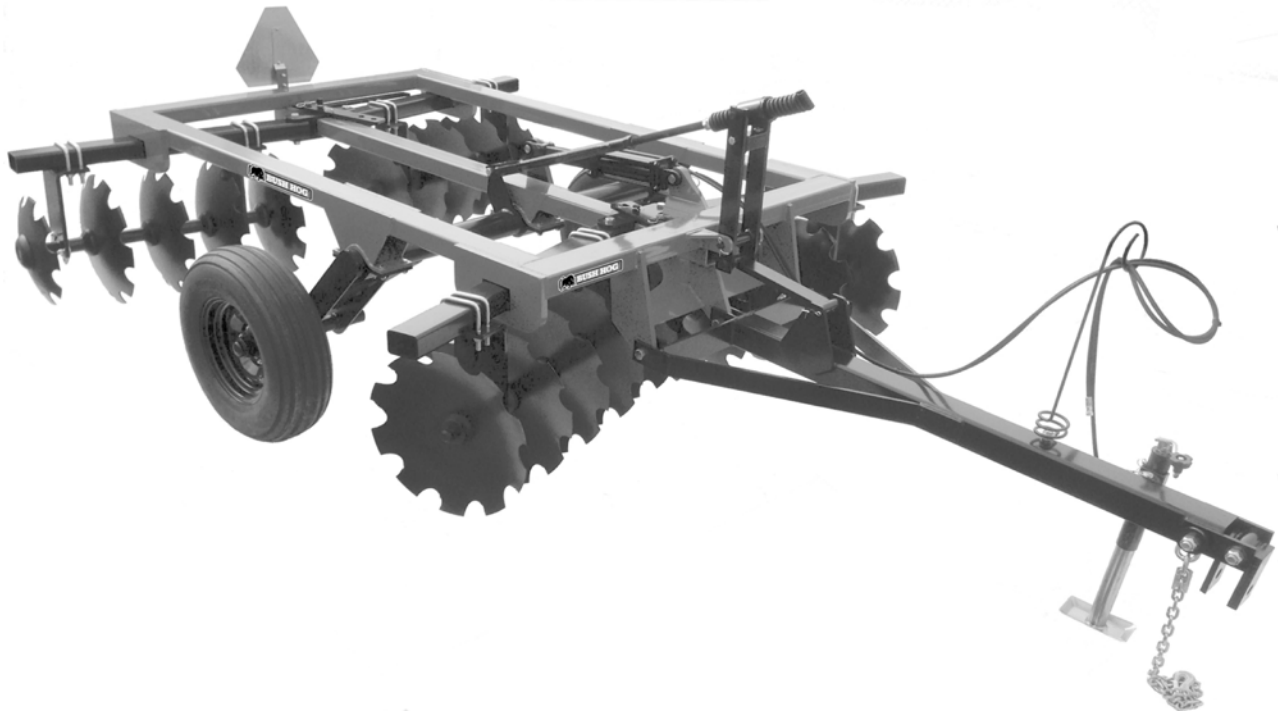
Revised 06/19

MATERIAL HANDLING PARTS MANUAL

# PARTS MANUAL SECTION 29



An Operator's Manual was shipped with the equipment . The Operator's Manual is an integral part of the safe operation of this machine and must be maintained with the unit at all times. **READ, UNDERSTAND, and FOLLOW** the Safety and Operation Instructions contained in this manual before operating the equipment. If the Operator's Manual is not with the equipment, contact your dealer or Bush Hog to obtain a Free copy before operating the equipment.



**BUSH HOG®**

2501 Griffin Ave.  
Selma, AL 36703  
334-874-2700

[www.bushhog.com](http://www.bushhog.com)

**¡ATENCIÓN!**  
LEA EL INSTRUCTIVO



Si No Lee Ingles, Pida  
Ayuda a Alguien  
Que Se Lo Lea Para Que le  
Traduzca Las  
Medidas de Seguridad

©2015 Alamo Group Inc.

**A** MEMBER OF THE  
**ALAMO GROUP**  
ALWAYS ON THE CUTTING EDGE®

## PARTS ORDERING GUIDE

The following instructions are offered to help eliminate needless delay and error in processing purchase orders for the equipment in this section.

1. The Parts Section is prepared in logical sequence and grouping of parts that belong to the basic machine featured in this manual. Part Numbers and Descriptions are given to help locate the parts and quantities required.
2. The Purchase Order must include the name and address of the person or organization ordering the parts, who should be charged, and if possible, the serial number of the machine for which the parts are ordered.
3. The Purchase Order must clearly list the quantity of each part, the complete and correct part number (be sure to include all periods), and the basic name of the part.
4. The Manufacturer reserves the right to substitute parts where applicable.
5. Some parts are unlisted items which are special production items not normally stocked and are subject to special handling. Request a quotation for such parts before sending a Purchase Order.
6. The Manufacturer reserves the right to change prices without prior notice.



For maximum safety and to guarantee optimum product reliability, always use genuine BUSH HOG Parts. The use of inferior replacement parts may cause premature or catastrophic failure which could result in serious injury or death. Direct any questions regarding parts to:

**BUSH HOG**  
**2501 Griffin Ave.**  
**Selma, AL 36703**  
**[www.bushhog.com](http://www.bushhog.com)**  
**Contact Us**  
**800-304-2836**



**BUSH HOG®**

# LIMITED WARRANTY

Bush Hog warrants to the original purchaser of any new Bush Hog equipment, purchased from an authorized Bush Hog dealer, that the equipment be free from defects in material and workmanship for a period of one (1) year for non-commercial, state and municipalities' use and ninety (90) days for commercial use from date of retail sale. The obligation of Bush Hog to the purchaser under this warranty is limited to the repair or replacement of defective parts.

Replacement or repair parts installed in the equipment covered by this limited warranty are warranted for ninety (90) days from the date of purchase of such part or to the expiration of the applicable new equipment warranty period, whichever occurs later. Warranted parts shall be provided at no cost to the user at an authorized Bush Hog dealer during regular working hours. Bush Hog reserves the right to inspect any equipment or parts which are claimed to have been defective in material or workmanship.

## DISCLAIMER OF IMPLIED WARRANTIES & CONSEQUENTIAL DAMAGES

Bush Hog's obligation under this limited warranty, to the extent allowed by law, is in lieu of all warranties, implied or expressed, **INCLUDING IMPLIED WARRANTIES OF MERCHANTABILITY AND FITNESS FOR A PARTICULAR PURPOSE** and any liability for incidental and consequential damages with respect to the sale or use of the items warranted. Such incidental and consequential damages shall include but not be limited to: transportation charges other than normal freight charges; cost of installation other than cost approved by Bush Hog; duty; taxes; charges for normal service or adjustment; loss of crops or any other loss of income; rental of substitute equipment, expenses due to loss, damage, detention or delay in the delivery of equipment or parts resulting from acts beyond the control of Bush Hog.

## THIS LIMITED WARRANTY SHALL NOT APPLY:

1. To vendor items which carry their own warranties, such as engines, tires, and tubes.
2. If the unit has been subjected to misapplication, abuse, misuse, negligence, fire or other accident.
3. If parts not made or supplied by Bush Hog have been used in connection with the unit, if, in the sole judgement of Bush Hog such use affects its performance, stability or reliability.
4. If the unit has been altered or repaired outside of an authorized Bush Hog dealership in a manner which, in the sole judgement of Bush Hog, affects its performance, stability or reliability.
5. To normal maintenance service and normal replacement items such as gearbox lubricant, hydraulic fluid, worn blades, or to normal deterioration of such things as belts and exterior finish due to use or exposure.
6. To expendable or wear items such as teeth, chains, sprockets, belts, springs and any other items that in the company's sole judgement is a wear item.

NO EMPLOYEE OR REPRESENTATIVE OF BUSH HOG IS AUTHORIZED TO CHANGE THIS LIMITED WARRANTY IN ANY WAY OR GRANT ANY OTHER WARRANTY UNLESS SUCH CHANGE IS MADE IN WRITING AND SIGNED BY BUSH HOG'S SERVICE MANAGER, 2501 GRIFFIN AVE., SELMA, ALABAMA 36703.

Record the model number, serial number and date purchased. This information will be helpful to your dealer if parts or service are required.

MODEL NUMBER \_\_\_\_\_

SERIAL NUMBER \_\_\_\_\_

DATE OF RETAIL SALE \_\_\_\_\_

MAKE CERTAIN THE WARRANTY  
HAS BEEN FILED WITH BUSH HOG  
SELMA, ALABAMA

# TABLE OF CONTENTS

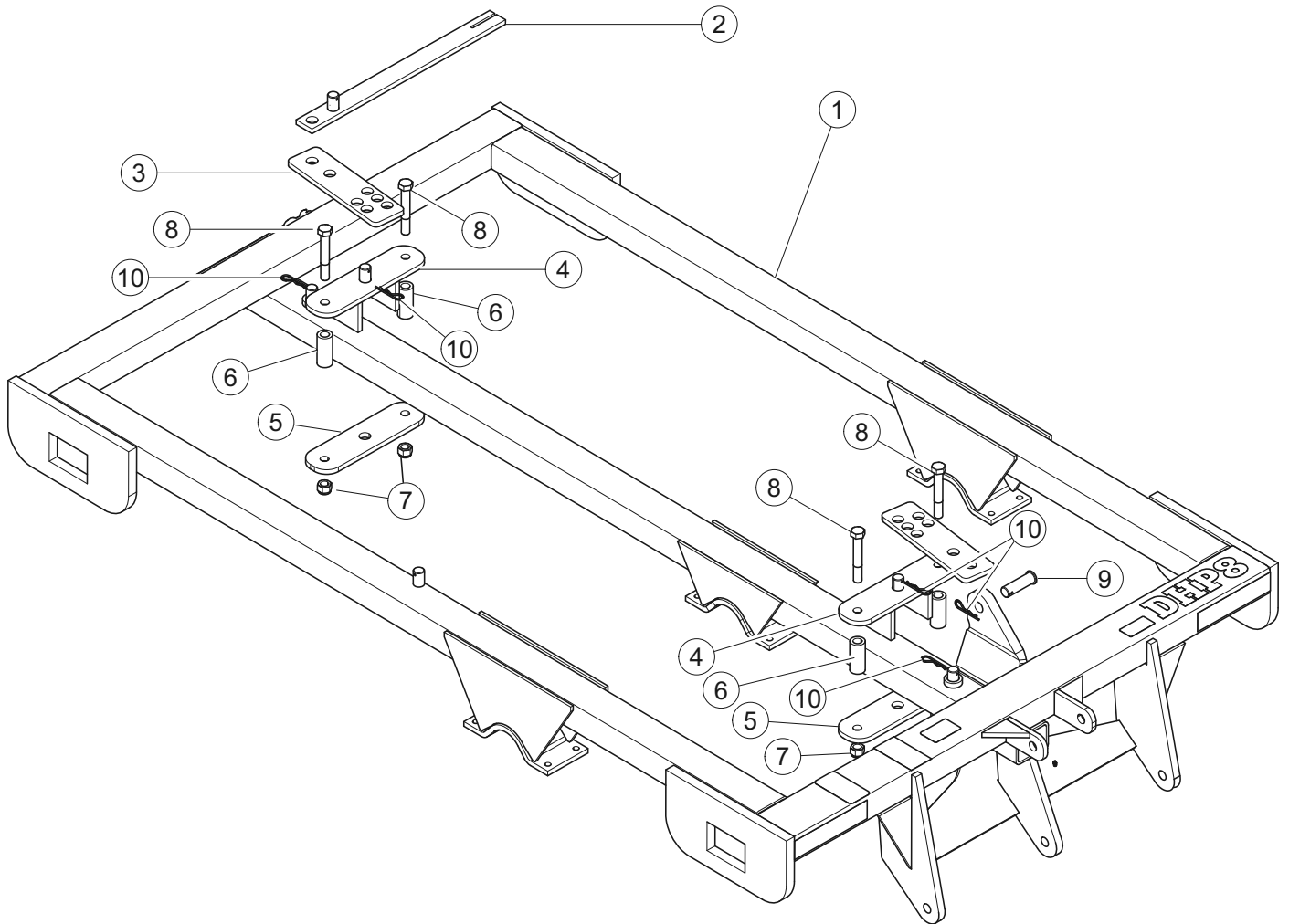
## PULL DISC HARROWS

### DHP8, DHP10, DHP12

---

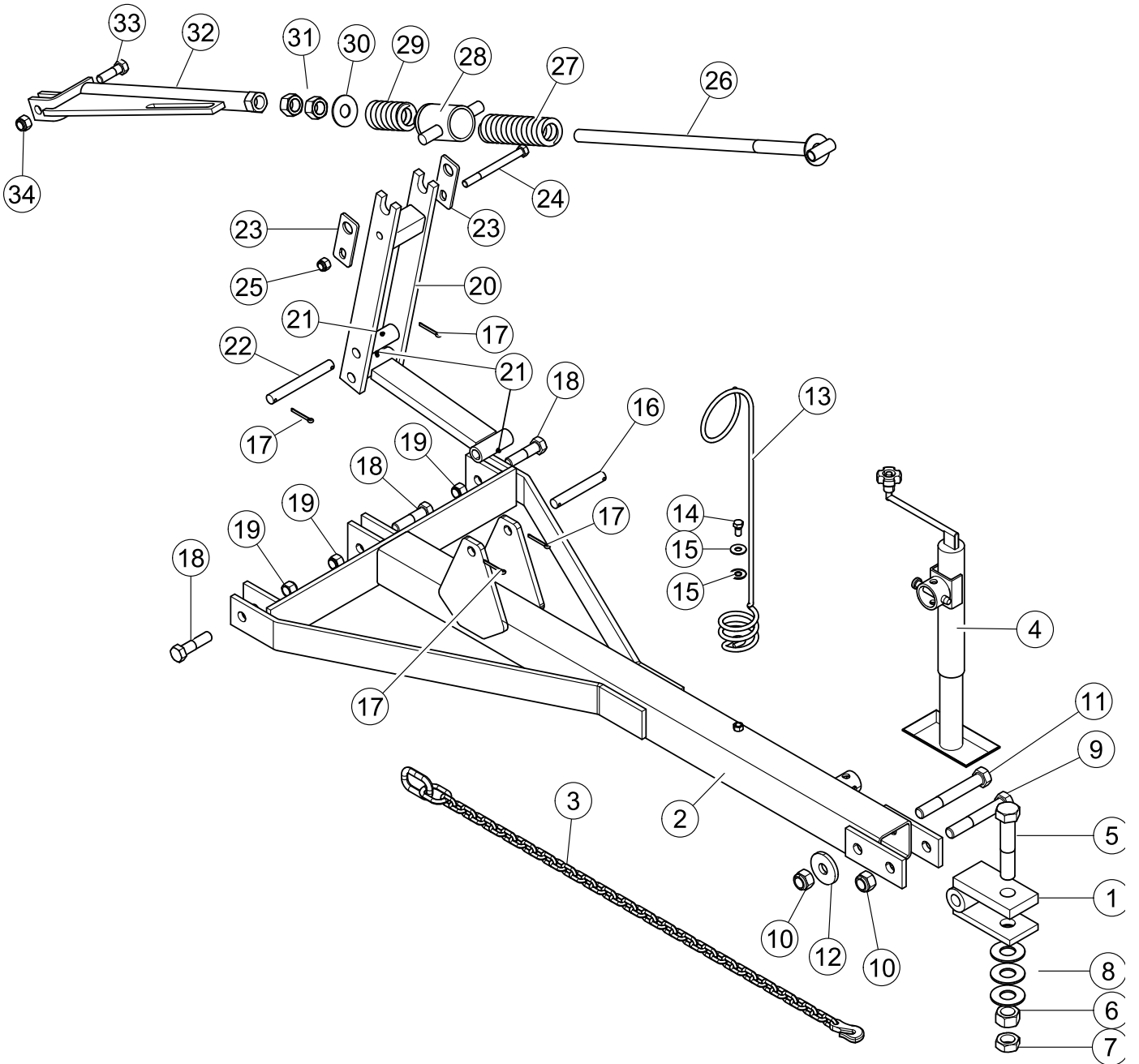
<b>COMPONENT</b>	<b>LOCATION</b>
Frame & Related Parts .....	29-1-1
Tongue & Related Parts .....	29-1-2
Axle & Related Parts.....	29-1-4
Disc Gangs & Related Parts .....	29-1-5
Scrapers & Related Parts .....	29-1-6
Hydraulic Components & Related Parts .....	29-1-7
Decals - Safety & Marking .....	29-1-8
SMV Placard .....	29-1-9

# PULL DISC HARROW DHP8, DHP10, DHP12 FRAMES AND RELATED PARTS



Ref. No.	Part No.	Description	Qty. Req'd.
1	50072260	Frame Weldment DHP8	1
	50072292	Frame Weldment DHP10 & DHP12	1
2	50072271	Handle, Adjusting	1
3	50072270	Adjusting Plate, Angle	2
4	50072263	Adjusting Weldment, Angle	2
5	50072264	Adjusting Plate, Bottom	2
6	50072276	Bushing	4
7	45321BH	Locknut 1-3/4" Nylock	4
8	44064BH	Capscrew 3/4" x 5' Gr.5	4
9	99334	Cylinder Pin 1" x 3-1/2"	1
10	50005860	Pin .148" x 3/4"	5

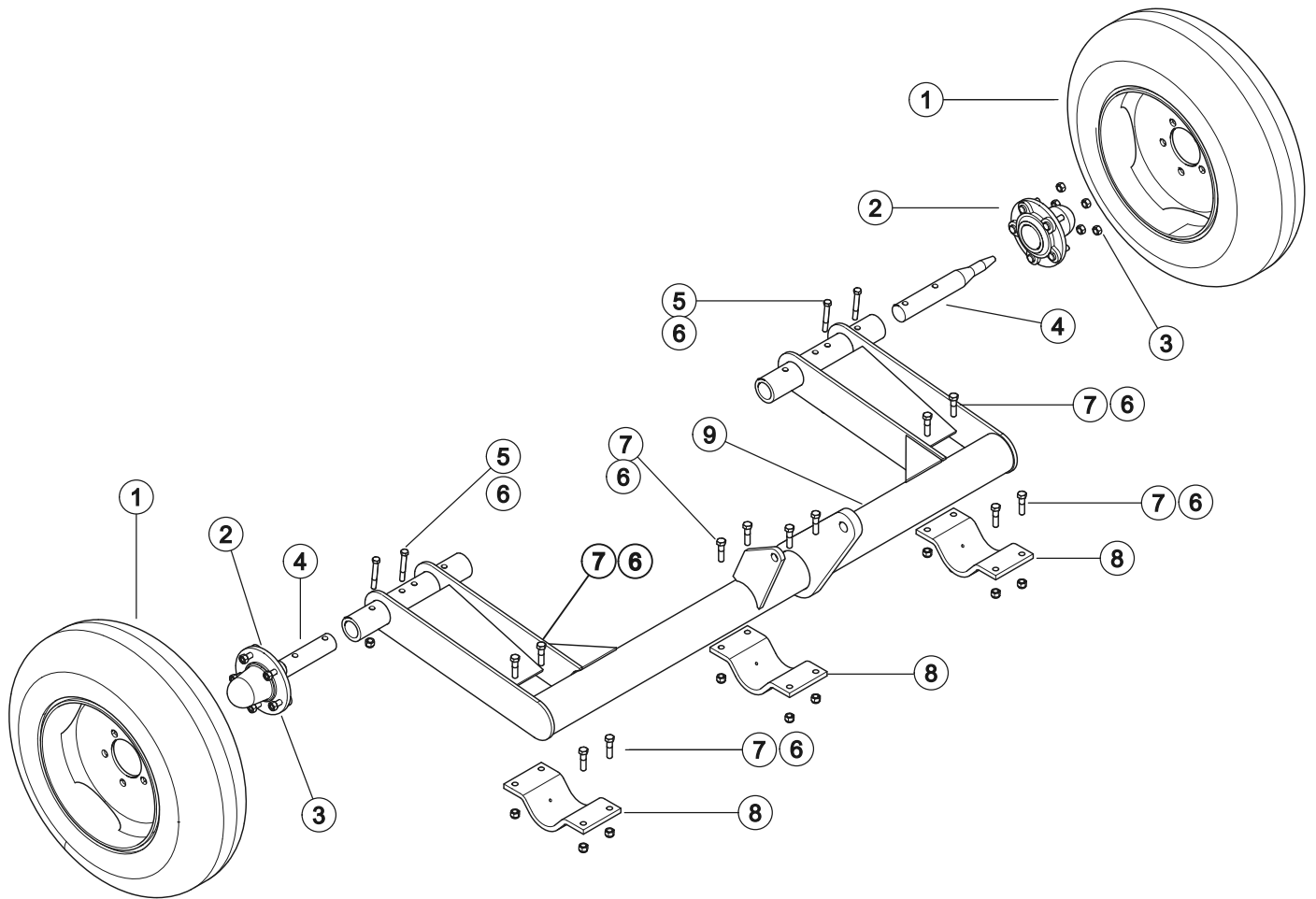
# PULL DISC HARROW DHP8, DHP10, DHP12 TONGUE AND RELATED PARTS



**PULL DISC HARROW  
DHP8, DHP10, DHP12  
TONGUE AND RELATED PARTS**

Ref. No.	Part No.	Description	Qty. Req'd.
1	50072282	Pull Hitch	1
2	50072283	Tongue Weldment	1
3	91091	Safety Chain	1
4	50072285	Jack Assembly	1
5	50072277	Capscrew 1-1/4" x 6-1/2" Gr.5	1
6	20305	Hex Nut 1-1/4"	1
7	50072279	Jam Nut 1-1/4"	1
8	20570	Flatwasher 1-1/4"	4
9	50072280	Capscrew " x 6-1/2" Gr.5	1
10	50072278	Hex Locknut 1" Nylock	2
11	20860	Capscrew 1" x 7-1/2" Gr.5	1
12	50072281	Safety Chain Washer	1
13	50072284	Hose Holder	1
14	20054	Capscrew 1/2" x 1" Gr.5	1
15	15829	Flatwasher 1/2" SAE	2
16	50072274	Pin 7/8" x 6"	1
17	21020820	Cotter Pin 1/8" x 2"	4
18	50072257	Capscrew 7/8" x 4" Gr.5	3
19	50022258	Hex Locknut 7/8" Nylock	3
20	50072262	Pivot Assembly	1
21	50072255	Grease Fitting	3
22	50072273	Pin 7/8" x 7-1/2"	1
23	50072269	Retainer Plate, Spring Cap	2
24	20118	Capscrew 5/8" x 7" Gr.5	1
25	45020BH	Hex Locknut 5/8" Nylock	1
26	50072286	Threaded Rod Weldment	1
27	50072266	Spring, Upper	1
28	50072294	Spring Cup Weldment	1
29	50072268	Spring, Lower	1
30	15913	Flatwasher 1-1/8"	1
31	20304	Hex Nut, Heavy Duty 1-1/8"	2
32	50072287	Tube Weldment	1
33	1162424	Capscrew 3/4" x 2-1/2" Gr.5	1
34	45321BH	Locknut 3/4" Nylock	1

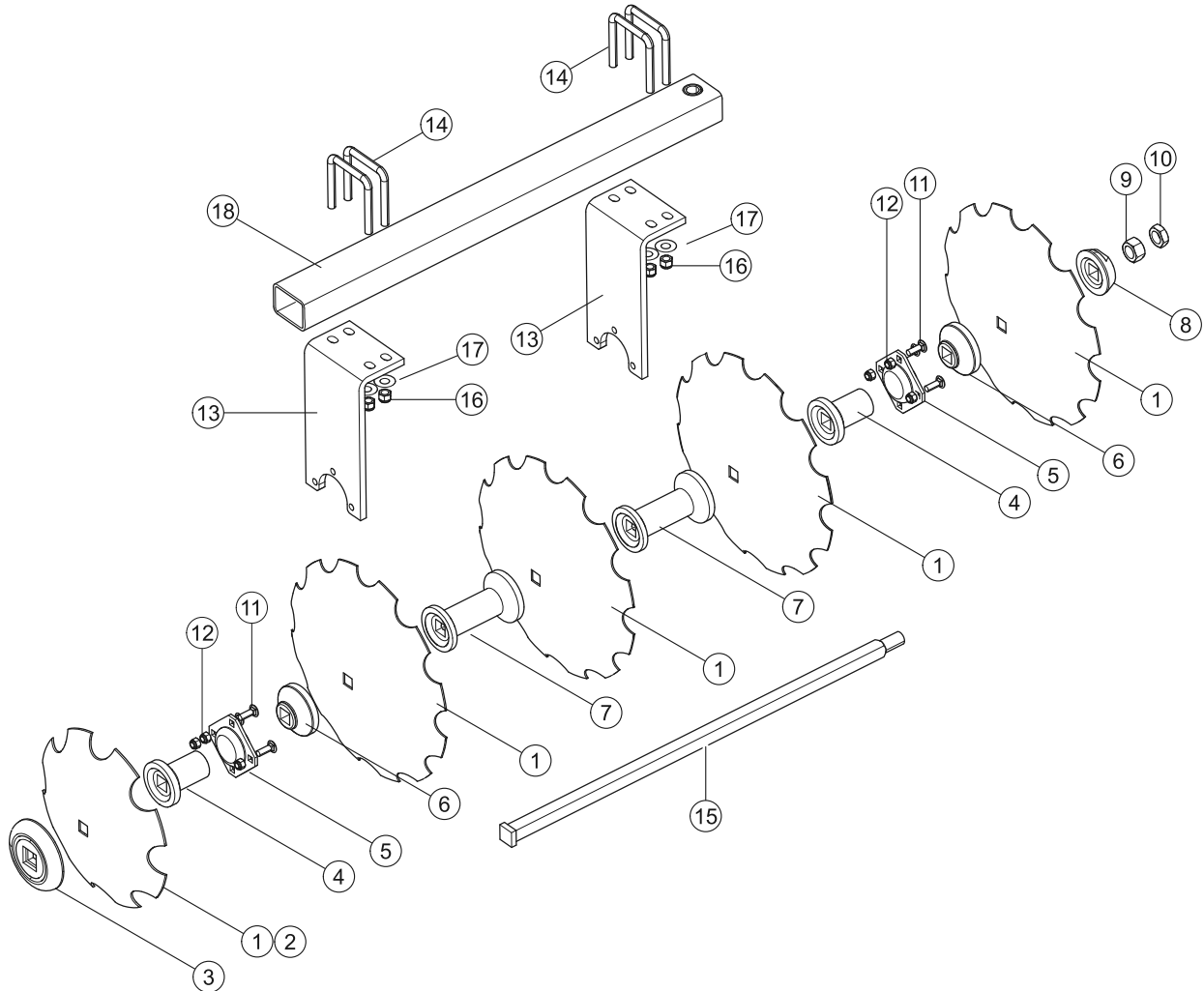
# PULL DISC HARROW DHP8, DHP10, DHP12 AXLE AND RELATED PARTS



Ref. No.	Part No.	Description	Qty. Req'd.
1	50072290	Wheel and Tire Assy.	2
2	50072288	Hub Assy. Complete	2
3	50072291	Lug Nut 1/2"	10
4	50072289	Axle Spindle	2
5	50072256	Capscrew 1/2" 1/2" x 3-1/4" Gr.5	4
6	44539BH	Locknut 1/2" Nylock	4
7	20110BH	Capscrew 1/2" x 2" Gr.5	12
8	50072265	Axle Clamp	3
9	50072261	Axle Weldment for DHP8	1
	50072293	Axle Weldment for DHP10 and DHP12	1



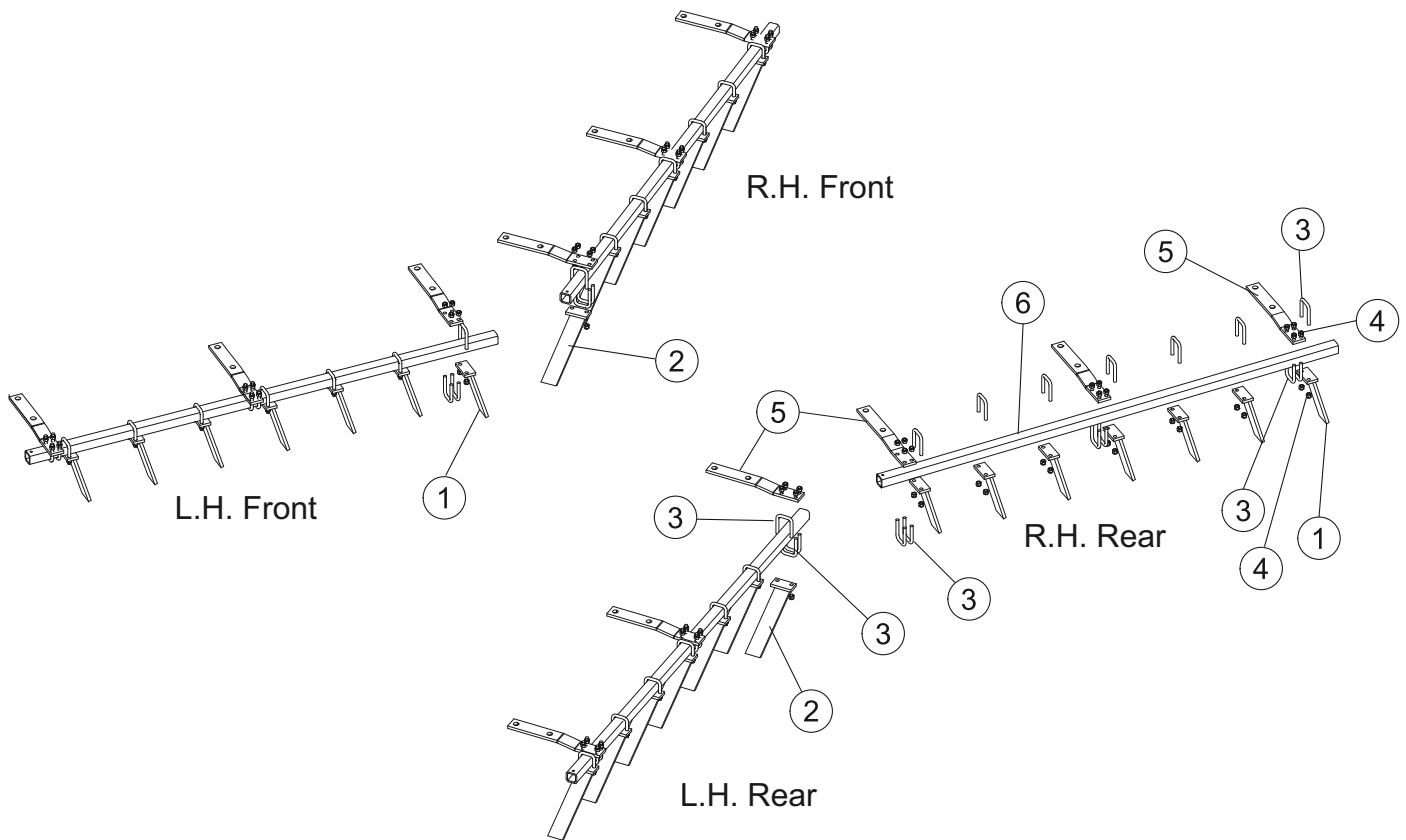
# PULL DISC HARROW DHP8, DHP10, DHP12 DISC ASSEMBLES and RELATED PARTS



Ref. No.	Part No.	Description	Qty. Req'd.	Ref. No.	Part No.	Description	Qty. Req'd.
1	50073400	Disc Blade 20" Scalloped	a/r	12	44539BH	Locknut 1/2" Nylock	1
	50073401	Disc Blade 22" Scalloped	a/r	13	50072299	Gang Hanger	a/r
2	50072296	Disc Blade 18" Scalloped	a/r	14	50072298	U-Bolt 5/8" x 5-1/2"	1
	50073399	Disc Blade 16" Scalloped	a/r	15	50069601	Axle Bolt w/Nut 42"	1
3	50069595	End Washer	1		50069603	Axle Bolt w/Nut 40-1/4"	1
4	50069593	Spacer 4-1/2" (7-1/2 & 9" Sp.)	a/r		50072295	Axle Bolt w/Nut 57-1/2"	1
5	50069597	Bearing, Sealed 1-1/8"	a/r		50073889	Axle Bolt w/Nut 58-1/2"	1
6	50069594	Spacer 3-1/4" (9" Spacing)	a/r		50072303	Axle Bolt w/Nut 65"	1
	50069602	Spacer 1-3/4" (7-1/2" Spacing)	a/r		50073890	Axle Bolt w/Nut 67-1/2"	1
7	50069592	Spacer (7-1/2" Spacing)	a/r	16	45020BH	Hex Locknut 5/8"	1
	50069599	Spacer (9" Spacing)	a/r	17	20748	Flatwasher 5/8" Sae	1
8	50069598	End Washer	1	18	50072301	Gang Tube 45"	1
9	-----	Axle Nut	1		50072297	Gang Tube 60"	1
10	50072300	Jamb Nut 1-1/8 Nylock	1		50072302	Gang Tube 68"	1
11	44134BH	Carriage Bolt 1/2" x 1-3/4" Gr5	1				

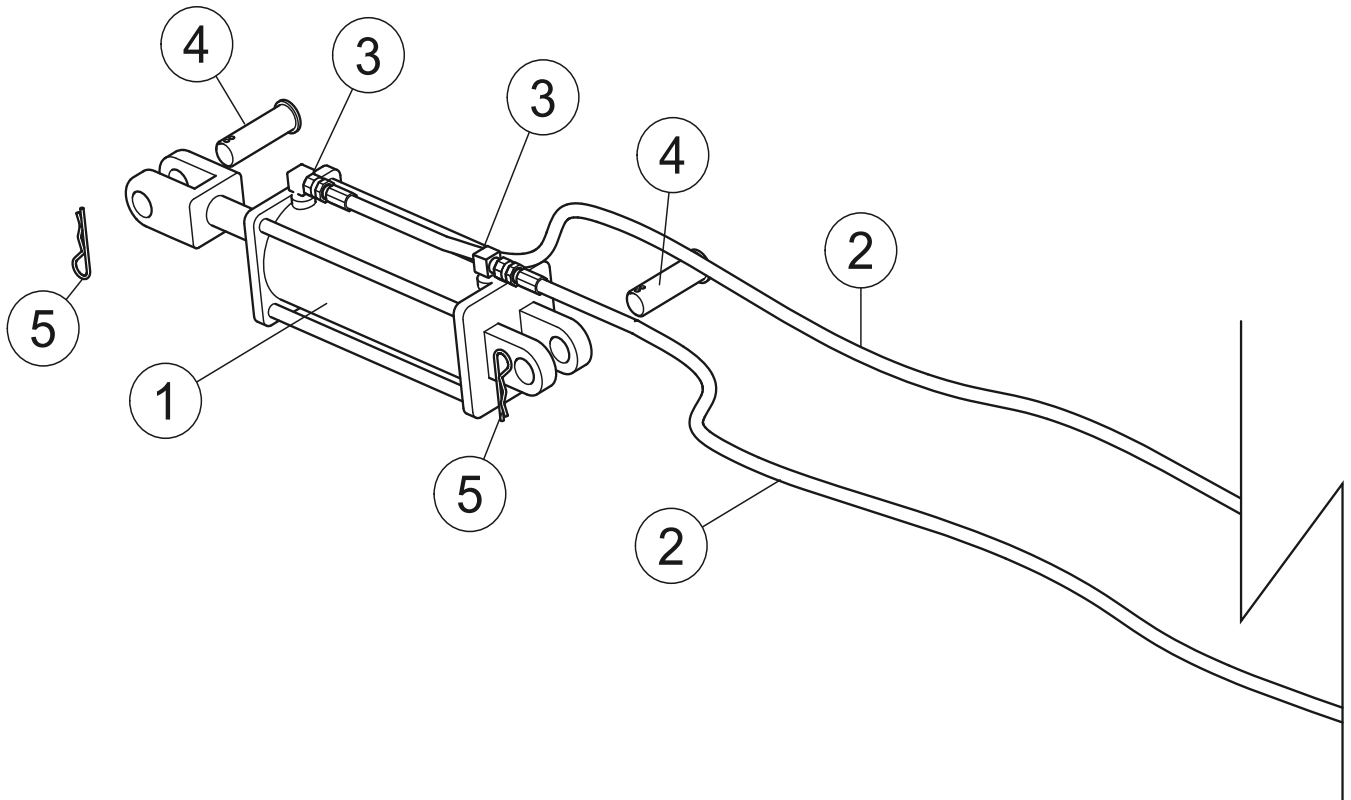
a/r = as required

# PULL DISC HARROW DHP8, DHP10, DHP12 SCRAPERS and RELATED PARTS



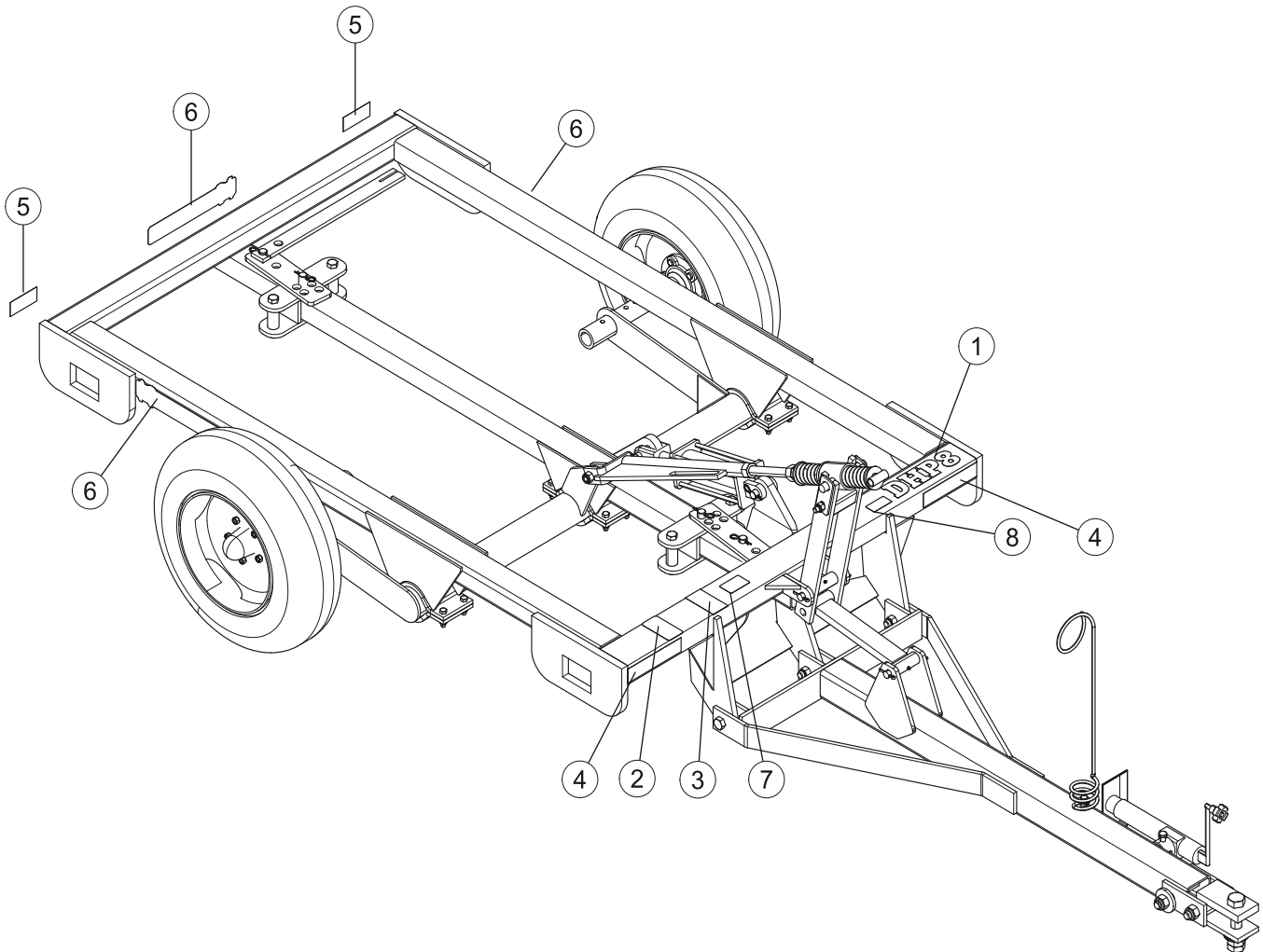
Ref. No.	Part No.	Description	Qty. Req'd.
1	50071191	Scraper L.H. Front & R.H. Rear	a/r
2	50071192	Scraper R.H. Front & L.H. Rear	a/r
3	50071188	"U" Bolt 3/8" x 1-5/8"	a/r
4	44624BH	Hex Locknut 3/8" Nylock	a/r
5	50072319	Scraper Attach Plate	a/r
6	50072321	Scraper Mount Tube 1-1/2" Sq. x 41-1/2" DHP8	4
	50072320	Scraper Mount Tube 1-1/2" Sq. x 56-1/2" DHP10	4
	50072322	Scraper Mount Tube 1-1/2" Sq. x 64-1/2" DHP12	4

**PULL DISC HARROW  
DHP8, DHP10, DHP12  
HYDRAULIC COMPONENTS and RELATED PARTS**



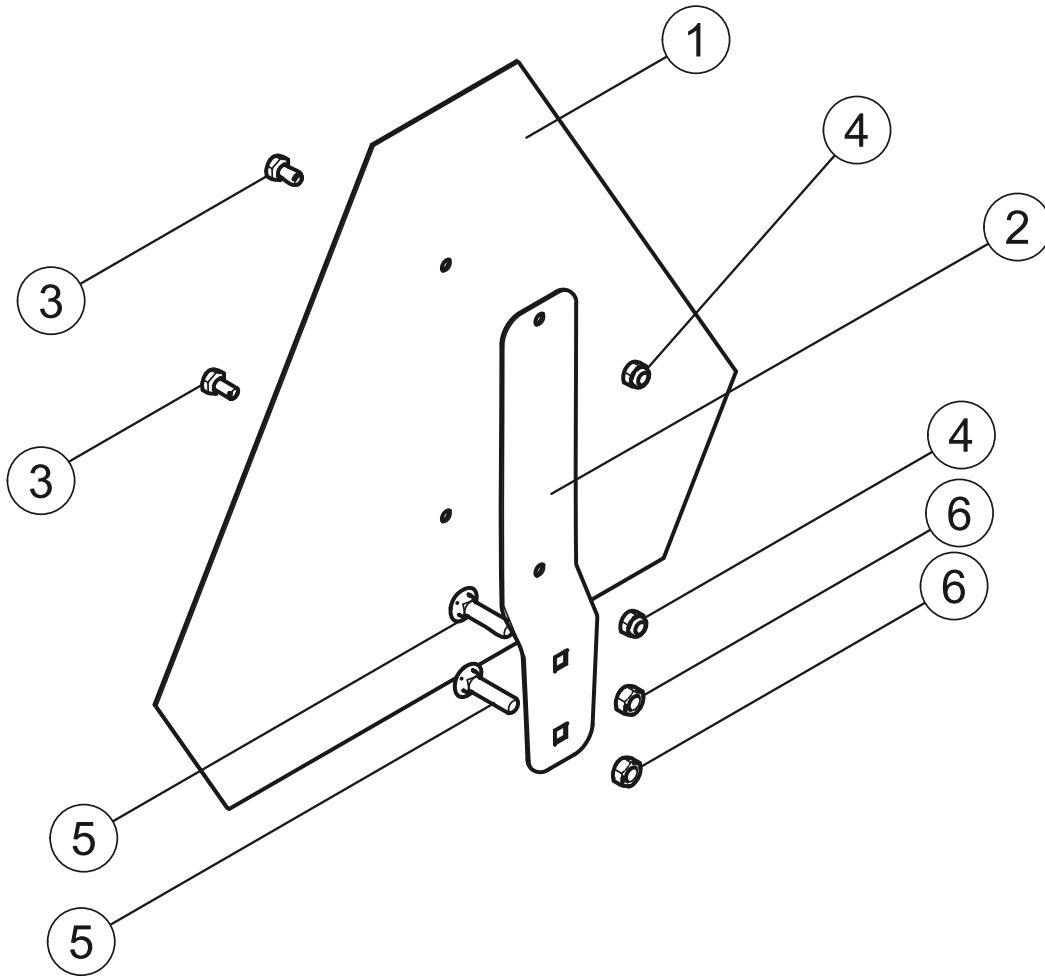
Ref. No.	Part No.	Description	Qty. Req'd.
1	50047475	Hyd. Cyl.(Bailey) 3-1/2" Bore x 8" Stroke	1
	50017623	Seal Repair Kit for cylinder	1
2	50072349	Hyd. Hose 1/4" x 150"	2
3	50072348	Hyd. Fitting 90	2
4	99334	Cylinder Pin 1" x 3-1/2"	2
5	50005860	Hair Pin .148" x 3"	2

# PULL DISC HARROW DHP8, DHP10, DHP12 DECALS - Safety and Marking



Ref. No.	Part No.	Description	Qty. Req'd.
1	50072042	Model Decal DHP8 (Shown)	1
	50072040	Model Decal DHP10	1
	50072053	Model Decal DHP12	1
2	50057047	Caution Decal	1
3	90960BH	Warning Decal	1
4	50031212	Amber Reflector	2
5	50031214	Red Reflector	2
6	50065309	Bush Hog Decal	3
7	00725746	Peligro Decal	1
8	N/A	Serial No. Decal	1

**PULL DISC HARROW  
DHP8, DHP10, DHP12  
SMV PLACARD**



Ref. No.	Part No.	Description	Qty. Req'd.
1	94359	SMV Placard	1
2	2438621	Mount Bracket	1
3	20009	Capscrew 1/4" x 1/2"	2
4	45153	Locknut 1/4"	2
5	5161012	Carriage Bolt 5/16" x 1-1/4"	2
6	45155BH	Locknut 5/16"	2







**BUSH HOG<sup>®</sup>**

2501 Griffin Ave. • Selma, AL 36703  
[www.bushhog.com](http://www.bushhog.com)