

BUSH HOG®

LAND MAINTENANCE

REPAIR PARTS MANUAL

MODEL: SM60
SECTION: 26



BUSH HOG®

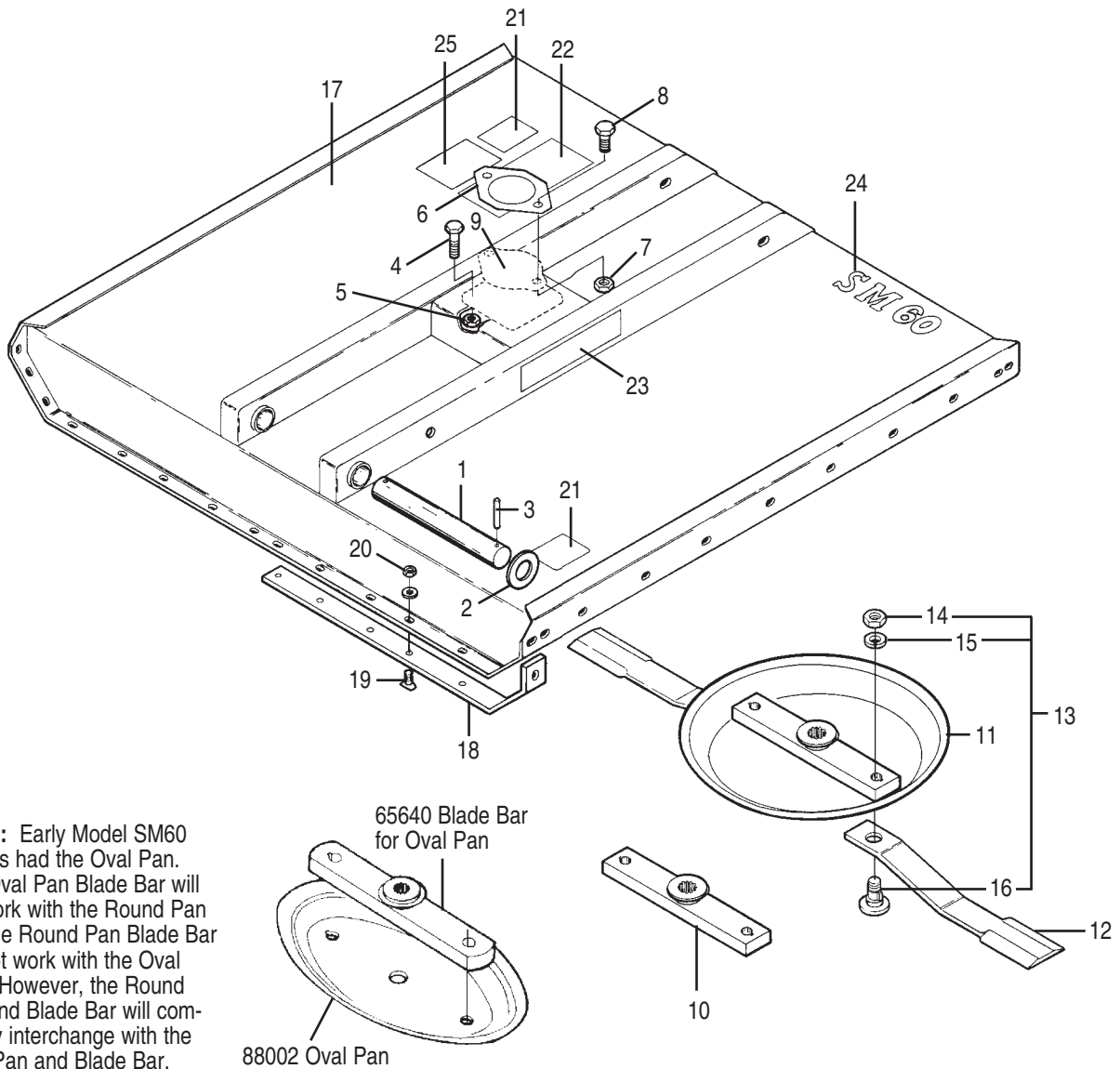
2501 Griffin Ave. • Selma, AL 36703
(334) 872-6261 • (334) 874-2700
Parts Ordering 1-800-304-2836
Fax 1-800-572-1784
www.bushhog.com

**A® MEMBER OF THE
ALAMO GROUP**
ALWAYS ON THE CUTTING EDGE®

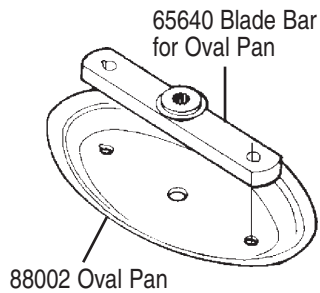
SM60R SIDE MOUNT SM160R SIDE MOUNT

ALPHABETICAL INDEX

CONTENTS	PAGE
Blade, Cutter	26-1-1
Blade Holder.....	26-1-1
Bolt, Blade Kit.....	26-1-1
Cable, Wire Rope Adjusting (Serial Numbers 12-02099 and Below)	26-1-2
Cable, Wire Rope Adjusting (Serial Numbers 12-02100 and Above).....	26-1-3
Chain, Safety Highway	26-6-3, 26-6-4
Cylinder, Slide (Victor Fluid Power) Obsolete.....	26-4-4
Cylinder, Slide (Monarch) Current.....	26-4-5
Cylinder, Fluid (Victor Fluid Power) Obsolete.....	26-4-4
Cylinder, Fold (Monarch) Current.....	26-4-6
Deck, Cutter Head.....	26-1-1
Decals, Cutter Head.....	26-1-1
Decals, Mount Frame	26-1-2, 26-1-3
Deflector Kit.....	26-6-3
Driveshaft Assemblies.....	26-5-1
Fittings, Hydraulic (Serial Numbers 12-02099 and Below)	26-3-1
Fittings, Hydraulic (Serial Numbers 12-02100 and Above).....	26-3-2
Fittings, Valve Kit.....	26-4-1, 26-4-2
Frame Mount Assembly (Serial Numbers 12-02099 and Below).....	26-1-2
Frame Mount Assembly (Serial Numbers 12-02100 and Above)	26-1-3
Gearbox, Step Up, 540 & 1000 RPM (Serial Numbers 12-02099 and Below)	26-2-4
Motor, Hydraulic, Aluminum (Serial Numbers 12-02099 and Below)	26-2-2
Motor, Hydraulic, Cast Iron (Serial Numbers 12-02099 and Below).....	26-2-3
Motor, Hydraulic (Serial Numbers 12-02100 and Above)	26-2-6
Pump, Hydraulic, Aluminum (Serial Numbers 12-02099 and Below)	26-2-2
Pump, Hydraulic, Cast Iron (Serial Numbers 12-02099 and Below).....	26-2-3
Pump, Hydraulic (Serial Numbers 12-02100 and Above)	26-2-5, 26-2-7
Reservoir, Oil Tank	26-2-1
Sidewheel Assembly	26-6-1
Spindle, Blade Drive.....	26-2-1
Tailwheel Assembly.....	26-6-2
Valve, Hydraulic Control.....	26-4-3



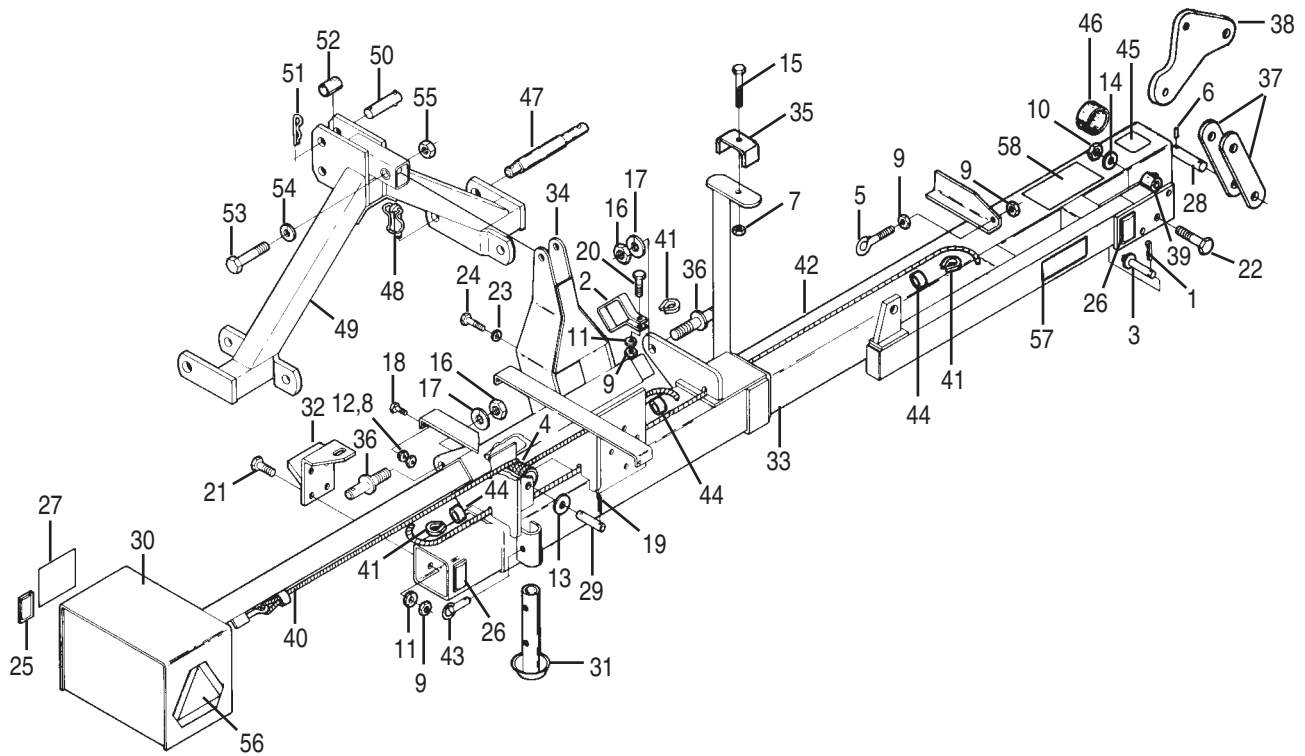
NOTE: Early Model SM60 Cutters had the Oval Pan. The Oval Pan Blade Bar will not work with the Round Pan and the Round Pan Blade Bar will not work with the Oval Pan. However, the Round Pan and Blade Bar will completely interchange with the Oval Pan and Blade Bar.



CUTTER HEAD AND RELATED PARTS
All Models SM60 & SM160

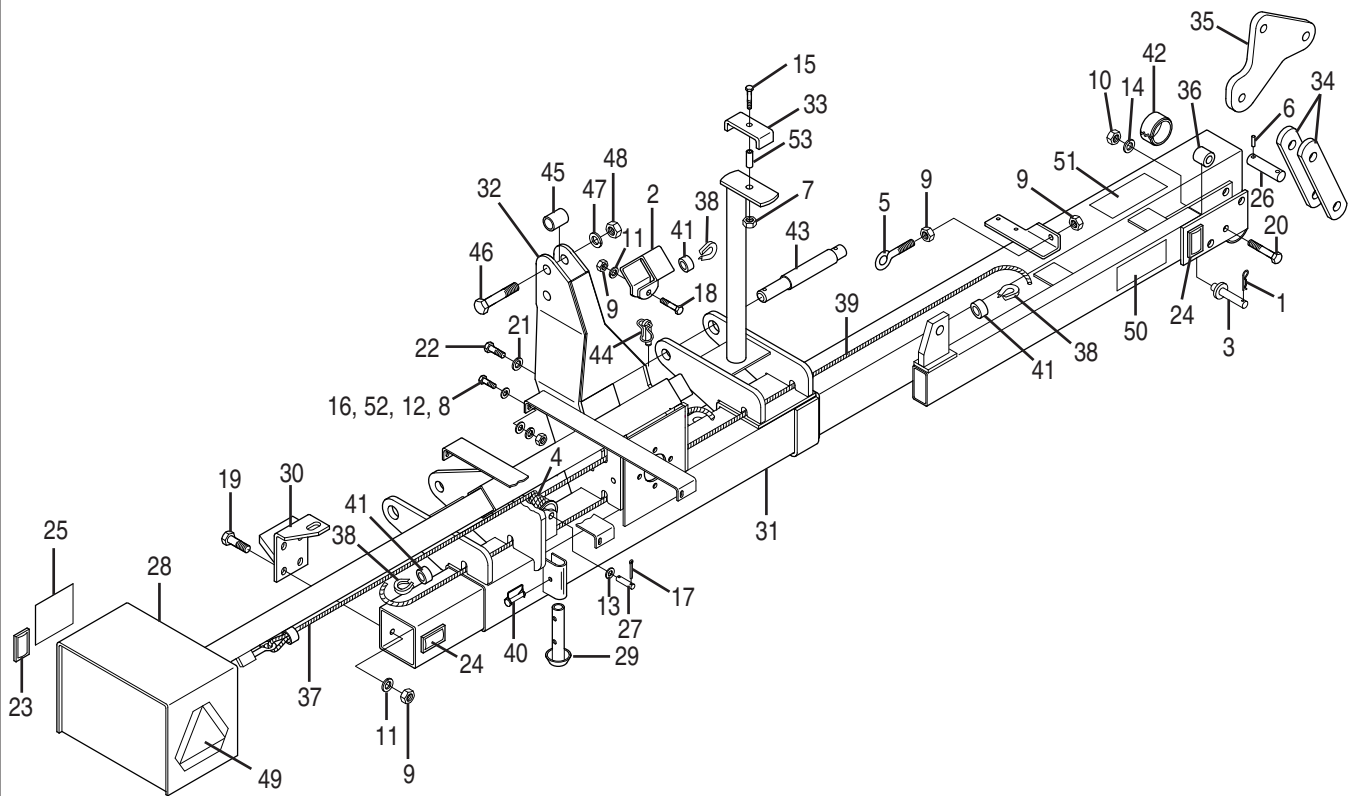
REF. NO.	PART NO.	QTY.	DESCRIPTION
1	83981	1	Hinge Pin
2	65359	2	Hinge Washer
3	19530	2	Spirol Pin 5/16" x 3"
4	—	4	Capscrew 5/8" x 1-3/4" Gr.5
5	20414	4	Locknut 5/8" Flanged
6	65575	1	Gasket
7	19518	2	Locknut 1/2" Flanged
8	—	2	Capscrew 1/2" x 2"
9	70017	1	Spindle Assembly
10	68277	1	Blade Bar Weld.
11	50031073	1	Formed Pan Weldment
12	6739	2	Double Edge Blade
13	63607	1	Blade Bolt Kit
14	252	2	Jamnut 1-1/8"

REF. NO.	PART NO.	QTY.	DESCRIPTION
15	20322	2	Lockwasher 1-1/8" L.H.
16	7919	2	Blade Bolt
17	86799	1	Deck Assembly
18	50040395	4	Skid Shoe
19	44928	24	Plow Bolt 3/8" x 1-1/2"
20	09131200	24	Locknut
	66907	1	Decal Kit
21	50029419	1	Sheet Decal
22	82683	1	Warning Decal
23	12119	2	Bush Hog Decal
24	65614	1	Model Decal
25	83373	1	Warning Decal
26	82617	1	Warning Decal



MOUNT FRAME & RELATED PARTS
 For Models SM60R & SM160R with Serial Numbers 12-02099 and Below

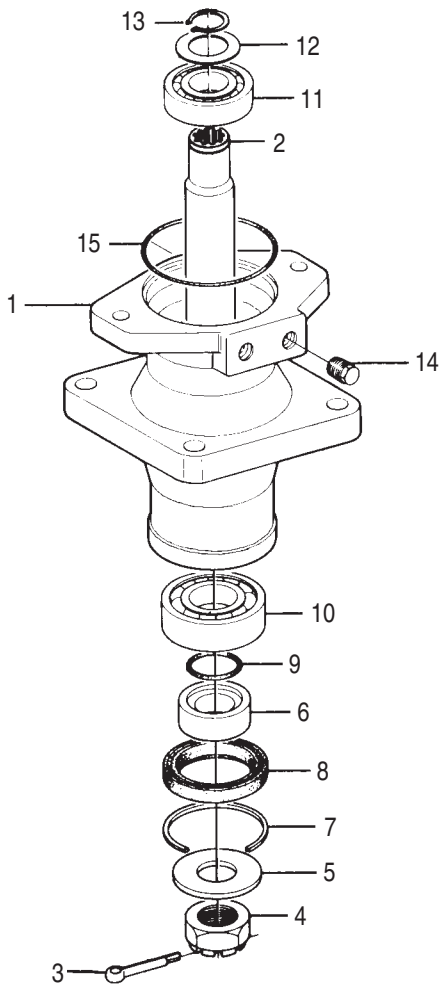
REF. NO.	PART NO.	QTY.	DESCRIPTION	REF. NO.	PART NO.	QTY.	DESCRIPTION
1	1273	1	Presto Pin	31	64220	1	Stand Weldment
2	1579	1	Clamp	32	64228	1	Bracket Weldment
3	14-6-219	1	Tongue Brace Adj. Pin	33	83584	1	Slide Weldment
4	25B42463	2	Cable Sheaves	34	64237	1	Frame Weldment
5	25B42513	2	Eye Bolts	35	87598	1	Hose Clamp
6	15466	4	Roll Pins	36	64797	2	Lift Pin
7	20363	1	Locknut 3/8"	37	65165	2	Lift Bar
8	—	4	Hex Nut 5/16" - 18 UNC	38	65167	1	Lift Linkage Weldment
9	—	5	Hex Nut 1/2"	39	65194	1	Bushing
10	—	1	Hex Nut 5/8"	40	65358	1	Wire Rope
11	—	5	Lockwasher 1/2"	41	65550	4	Thimble
12	—	4	Lockwasher 5/16"	42	65590	1	Wire Rope
13	—	2	Flatwasher 5/8"	43	65600	1	Stand Pin
14	—	1	Lockwasher 5/8"	44	51600	4	Cable Sleeves
15	—	1	Capscrew 3/8" x 2-1/2" Gr.5	45	64635	1	Warning Decal
16	20399	2	Hex Nut 1-1/8" - 12 UNF	46	83976	2	Pivot Bushing
17	20322	2	Lockwasher 1-1/8"		67536	1	Quick Hitch Assy.
18	—	4	Capscrew 5/16" x 1" Gr.5	47	25G12545	2	Hitch Pin
19	—	2	Cotter Pin 1/8" x 1"	48	20558	2	Lynch Pin
20	—	1	Capscrew 1/2" x 3" Gr.5	49	67368	1	Mast Weldment
21	—	4	Capscrew 1/2" x 1-1/4" Gr.5	50	17-1-55	1	Mast Pin
22	—	1	Capscrew 5/8" x 3-1/2" Gr.5	51	1273	1	Presto Pin
23	44200	4	Lockwasher M12	52	17-1-56	1	Bushing
24	44204	4	Capscrew M12 x 1.75 x 25	53	20547	1	Capscrew 1" x 4-1/2" Gr.5
25	50031214	1	Amber Reflector	54	20764	1	Lockwasher 1"
26	50031212	2	Red Reflector	55	19502	1	Nut 1" - 8 UNC
27	60322	1	Bush Hog Decal	56	84130	1	SMV Decal
28	64074	2	Pin	57	83374	1	Warning Decal
29	64077	1	Pin	58	83375	1	Warning Decal
30	64199	1	Weight Box				



MOUNT FRAME & RELATED PARTS
 For Models SM60R-3 & SM160R03
 with Serial Numbers 12-02100 and Above

REF. NO.	PART NO.	QTY.	DESCRIPTION
1	1273	1	Presto Pin
2	97956	1	Clamp
3	14-6-219	1	Tongue Brace Adj. Pin
4	25B42463	2	Cable Sheaves
5	25B42513	2	Eye Bolts
6	15466	4	Roll Pins
7	20363	1	Locknut 3/8"
8	—	4	Hex Nut 5/16" – 18 UNC
9	—	5	Hex Nut 1/2"
10	—	1	Hex Nut 5/8"
11	—	5	Lockwasher 1/2"
12	—	4	Lockwasher 5/16"
13	—	2	Flatwasher 5/8"
14	—	1	Lockwasher 5/8"
15	—	1	Capscrew 3/8" x 3" Gr.5
16	—	4	Capscrew 5/16" x 1-1/4" Gr.5
17	—	2	Cotter Pin 1/8" x 1"
18	—	1	Capscrew 1/2" x 3" Gr.5
19	—	4	Capscrew 1/2" x 1-1/4" Gr.5
20	—	1	Capscrew 5/8" x 3-1/2" Gr.5
21	—	4	Lockwasher 7/16"
22	—	4	Capscrew 7/16" x 1-1/2"
23	50031212	1	Amber Reflector
24	50031214	2	Red Reflector
25	60322	1	Bush Hog Decal
26	64074	2	Pin

REF. NO.	PART NO.	QTY.	DESCRIPTION
27	64077	1	Pin
28	64199	1	Weight Box
29	64220	1	Stand Weldment
30	64228	1	Bracket Weldment
31	95582	1	Slide Weldment
32	95570	1	Frame Weldment
33	87598	1	Hose Clamp
34	65165	2	Lift Bar
35	65167	1	Lift Linkage Weldment
36	65194	1	Bushing
37	98043	1	Wire Rope
38	65550	4	Thimble
39	65590	1	Wire Rope
40	65600	1	Stand Pin
41	51600	4	Cable Sleeves
42	83976	2	Pivot Bushing
43	25G12545	2	Lift Pin
44	20558	2	Lynch Pin
45	98326	1	Bushing
46	19087	1	Capscrew 1" x 4" Gr.5
47	15821	1	Lockwasher 1"
48	19502	1	Nut 1" – 8 UNC
49	84130	1	SMV Decal
50	83374	1	Warning Decal
51	83375	1	Warning Decal
52	—	8	Flatwasher 5/16"
53	87599	1	Bushing

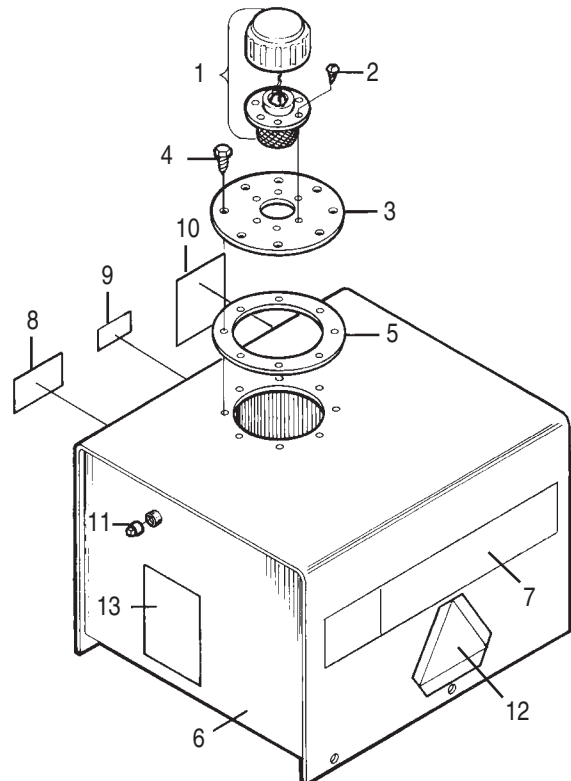


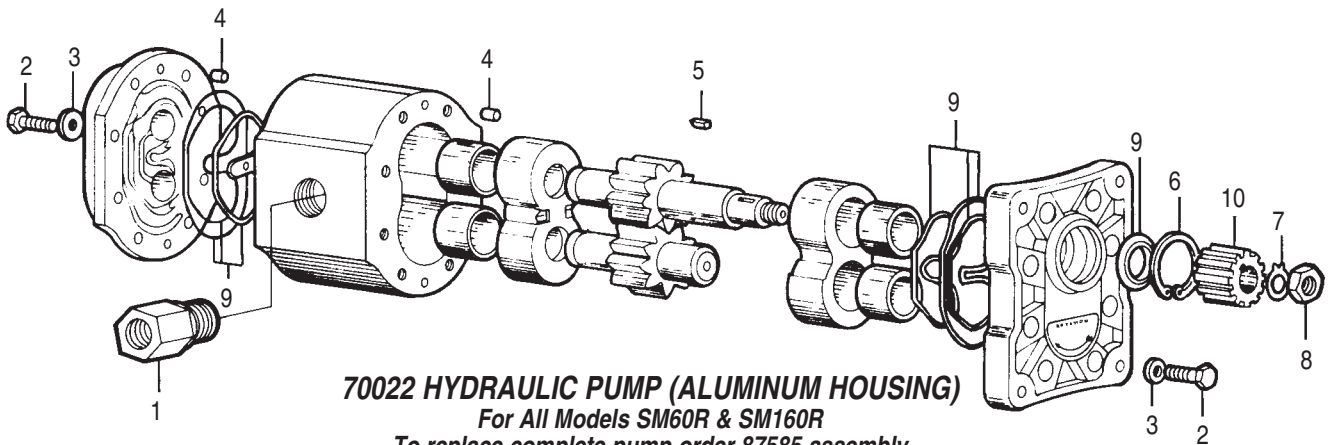
70017 SPINDLE HOUSING ASSEMBLY
For All Models SM60R & SM160R

REF. NO.	PART NO.	QTY.	DESCRIPTION
1	70073	1	Housing
2	70074	1	Shaft
3	15473	1	Cotter Pin 1/4" x 2-1/2"
4	70076	1	Nut M30 x 2 UNI
5	70077	1	Washer
6	70078	1	Collar
7	70079	1	Lockring
8	70080	1	Seal
9	70081	1	O-Ring
10	70082	1	Bearing
11	70256	1	Bearing
12	70293	1	Washer
13	70235	1	Lockring
14	70292	2	Oil Plug
15	70153	1	O-Ring

OIL TANK RESERVOIR
For All Models SM60R & SM160R

REF. NO.	PART NO.	QTY.	DESCRIPTION
1	65433	1	Filler Breather Assembly
2	44199	6	Self Tap Screw 10 - 32 x 1/2"
3	64051	1	Tank Lid
4	44374	8	Self Tap Screw 1/4" - 20 x 3/4"
5	64052	1	Gasket Tank Lid
6	66913	1	Oil Tank for 540 RPM w/ Decals
	66916	1	Oil Tank for 1000 RPM w/ Decals
7	50061049	1	Bush Hog Decal
8	65638	1	Decal, Important
9	50042281	1	Decal, 540 RPM, SM60R
	50042424	1	Decal, 1000 RPM, SM160R
10	83377	1	Decal, Warning
11	50005656	1	Oil Level Plug
12	83380	1	SMV Decal
13	84007	1	Notice Decal

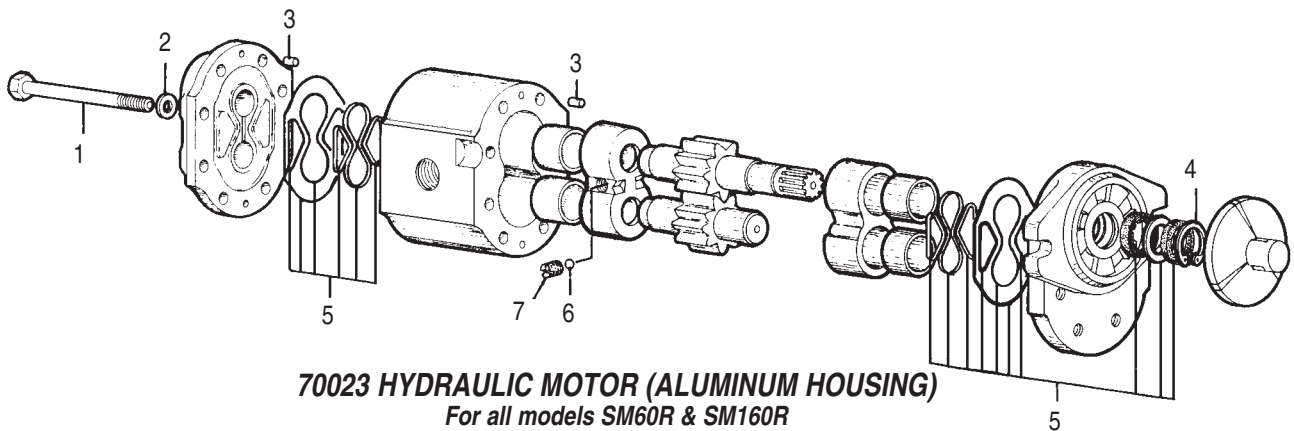




70022 HYDRAULIC PUMP (ALUMINUM HOUSING)
 For All Models SM60R & SM160R
 To replace complete pump order 87585 assembly

REF. NO.	PART NO.	QTY.	DESCRIPTION
1	78520	1	Hydraulic Fitting
2	70024	16	Screw M10 x 35
3	70025	16	Washer (Shake Proof)
4	70028	4	Dowel 8 x 8
5	70029	1	Key
6	70032	1	Circlip
7	70033	1	Washer Lockring
8	70034	1	Nut M14 x 1.5
9	—	1	Pump Seal Kit
10	70072	1	Hub

Note: 70072 Hub is not shipped with the 70022 Pump Assembly.



70023 HYDRAULIC MOTOR (ALUMINUM HOUSING)
 For all models SM60R & SM160R
 To replace complete motor order 87584 assembly

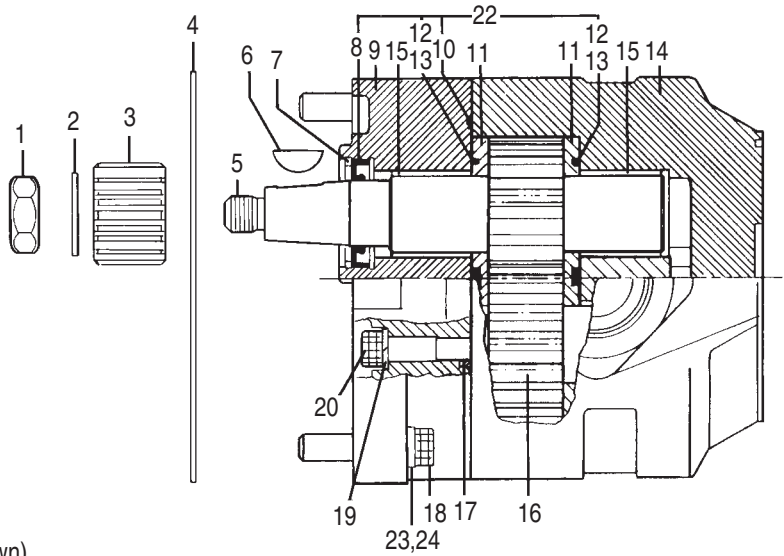
REF. NO.	PART NO.	QTY.	DESCRIPTION
1	70042	8	Screw
2	70035	8	Shake Proof Washer
3	70028	4	Dowel
4	70039	1	Circlip
5	70216	1	Motor Seal Kit
	70027	6	Anti-Extrusion Ring
	70026	2	O-Ring
	70043	4	O-Ring
	70036	2	O-Ring
	70038	1	Shaft Seal 27 x 42 x 7
	84414	1	Steel Back-up Washer
	84413	1	Shaft Seal 27 x 42 x 10
6	86954	2	Ball
7	86953	1	Check Valve Body

87585 HYDRAULIC PUMP ASSEMBLY (CAST IRON HOUSING)

Replaces 70022 Pump Assembly (Aluminum Housing)

For SM60R & SM160R Models with Serial Numbers 12-02099 and Below

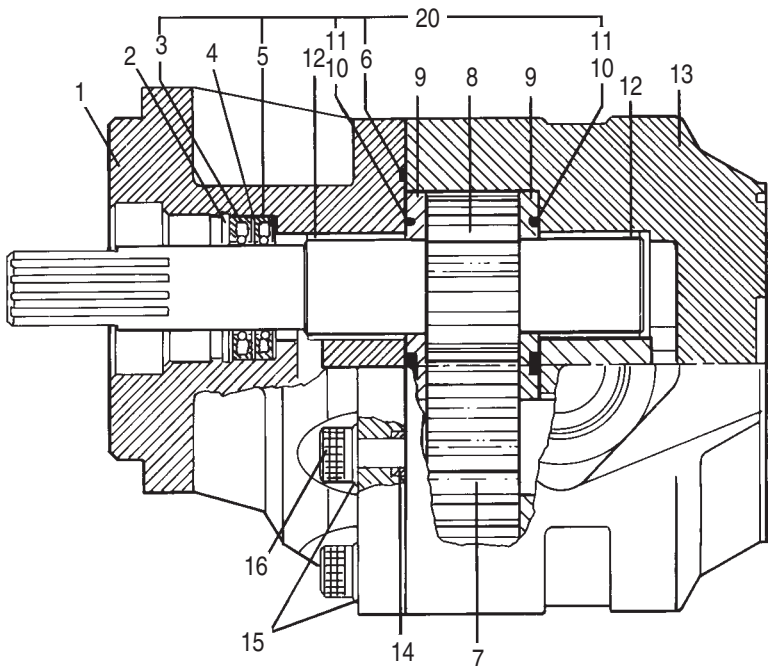
REF. NO.	PART NO.	QTY.	DESCRIPTION
1	70034	1	Hex Nut
2	70033	1	Washer
3	87837	1	Hub
4	87838	1	Gasket
5	87839	1	Drive Gear
6	70029	1	Key 4 x 25
7	70032	1	Circlip
8	70031	1	Shaft Seal
9	87841	1	Mount Cover
10	87842	1	"O" Ring Seal
11	87843	2	Thrust Plate
12	87844	2	"O" Ring Seal
13	87845	2	Back-up Ring
14	87846	1	Body
15	87847	4	Bearing
16	87848	1	Driven Gear
17	87849	4	Bushing
18	44196	4	Screw M10 x 45 G8.8
19	87851	8	Washer
20	87852	8	Screw 10 x 55
21	87853	1	Plug 1/8 NPT (Not Shown)
22	87854	1	Seal Kit
23	—	4	Flatwasher 3/8"
24	44198	4	Lockwasher M10



87584 HYDRAULIC MOTOR ASSEMBLY (CAST IRON HOUSING)

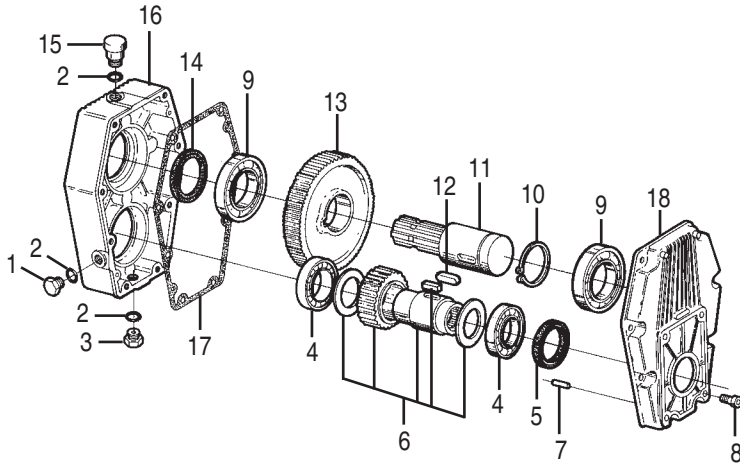
Replaces 70023 Pump Assembly (Aluminum Housing)

For SM60R & SM160R Models with Serial Numbers 12-02099 and Below



REF. NO.	PART NO.	QTY.	DESCRIPTION
1	87855	1	Front Mounting Cover
2	70039	1	Internal Circlip
3	87857	1	Shaft Seal, Outer 25 x 42 x 6.5
4	87858	1	Support Ring
5	87859	1	Shaft Seal, Inner 25 x 42 x 6
6	87842	1	"O" Ring Seal
7	87861	1	Driven Gear
8	87862	1	Input Drive Gear
9	87863	2	Thrust Plate
10	87864	2	"O" Ring Seal
11	87865	2	Back-up ring
12	87847	4	Bearing
13	87866	1	Body
14	87849	4	Bushing
15	87851	8	Washer
16	87850	8	Screw M10 x 40
17	87868	2	Plug 1/8" NPT (Not Shown)
18	86954	2	Ball 1/4" (Not Shown)
19	87870	1	Plug (Not Shown)
20	87871	1	Seal Kit

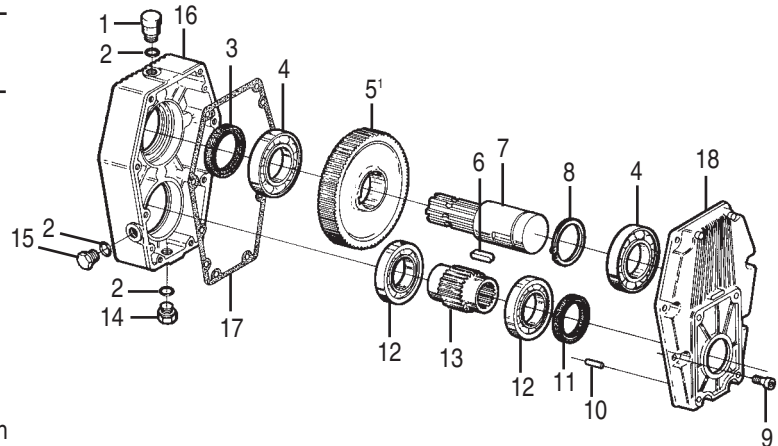
79925 STEP-UP GEARBOX
1:52:1 Ratio
For SM160R 1000 RPM Models
Serial Numbers 12-02099 and Below



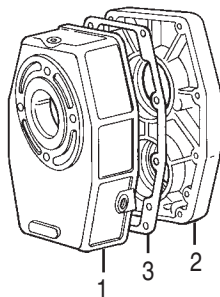
REF. NO.	PART NO.	QTY.	DESCRIPTION
1	70064	1	Level Plug
2	79216	3	Rubber Seal
3	70065	1	Drain Plug
4	70054	2	Bearing
5	70057	1	Seal
6	70044	1	Driving Shaft Kit
7	70056	2	Roller
8	44370	8	Screw M8 x 20
9	70055	2	Bearing
10	70060	1	Circlip
11	70050	1	Male Spline Shaft
12	70059	2	Key 12 x 8 x 30
13	70046	1	Splined Plate Wheel
14	70058	1	Shaft Seal
15	70063	1	Filler-Breather
16	78834	1	Housing
17	79215	1	Gasket
18	78835	1	Housing Cover

79926 STEP-UP GEARBOX
3:1 Ratio
For SM60R 540 RPM Models
Serial Numbers 12-02099 and Below

REF. NO.	PART NO.	QTY.	DESCRIPTION
1	70063	1	Filler-Breather
2	79216	3	Rubber Seal
3	70058	1	Shaft Seal
4	70055	2	Bearing
5	—	1	Splined Plate Wheel ¹
6	70059	1	Key 12 x 8 x 30
7	70050	1	Male Splined Shaft
8	70060	1	Circlip
9	44370	8	Screw M8 x 20
10	70056	2	Roller
11	70057	1	Shaft Seal
12	70054	2	Bearing
13	70045	1	Cylindrical Spur Pinion
14	70065	1	Drain Plug
15	70064	1	Level Plug
16	78834	1	Housing
17	79215	1	Gasket
18	78835	1	Housing Cover



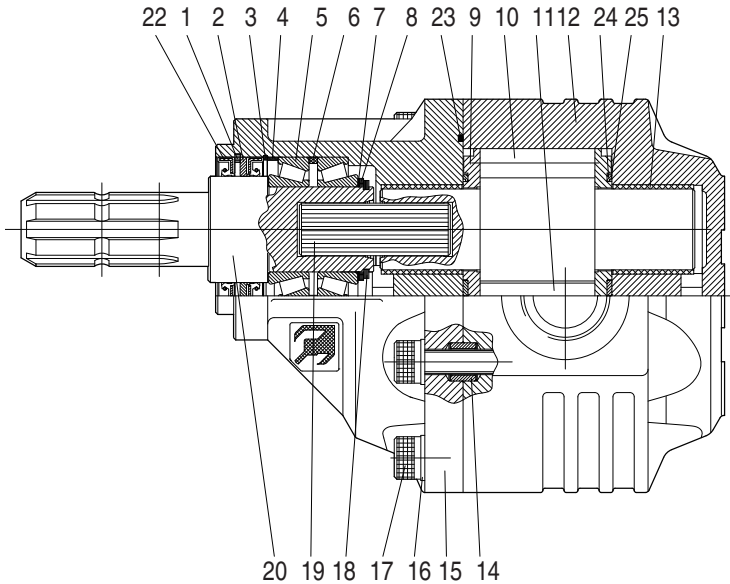
¹For replacement of splined plate wheel order 79926 complete gearbox assembly.



79998 COVER REPAIR KIT
For 70020 & 70021 Gearbox

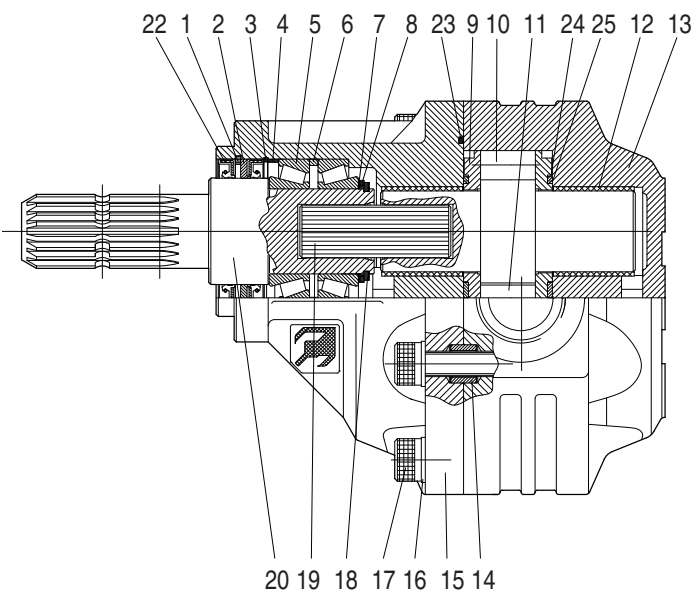
REF. NO.	PART NO.	QTY.	DESCRIPTION
1	70048	1	Housing
2	70049	1	Housing Cover
3	70052	1	Gasket

97697 HYDRAULIC PUMP ASSEMBLY 540 RPM
For Models SM60R-03
Serial Numbers 12-02100 and Above
Replaced by 50040668 Pump Assembly



REF. NO.	PART NO.	QTY.	DESCRIPTION
1	98128	1	Circlip
2	98127	1	Support Ring 50 x 68 x 8
3	98126	1	Lock Ring
4	98125	1	Spacer, Front Cover
5	98124	2	Outboard Bearing
6	98123	1	Spacer Ring
7	98122	1	Washer 40 x50 x 0
8	98121	1	Support Ring
9	98120	2	Thrust Plate
10	98119	1	Drive Shaft
11	98118	1	Drive shaft
12	—	1	Gear Housing
13	98115	4	Sleeve Bearing
14	98112	4	Steel Bushing
15	98111	1	Front Mounting Cover
16	70035	8	Washer
17	98110	8	Screw M12 x 45
18	98109	2	Circlip
19	98108	1	Connecting Shaft
20	98107	1	Support Shaft
21	87853	1	Plug 1/8" (not shown)
	98105	1	Seal Kit
22	—	2	Shaft Seal 50 x 68 x 8
23	—	1	O-Ring Seal
24	—	2	O-Ring Seal
25	—	2	Back-up Ring

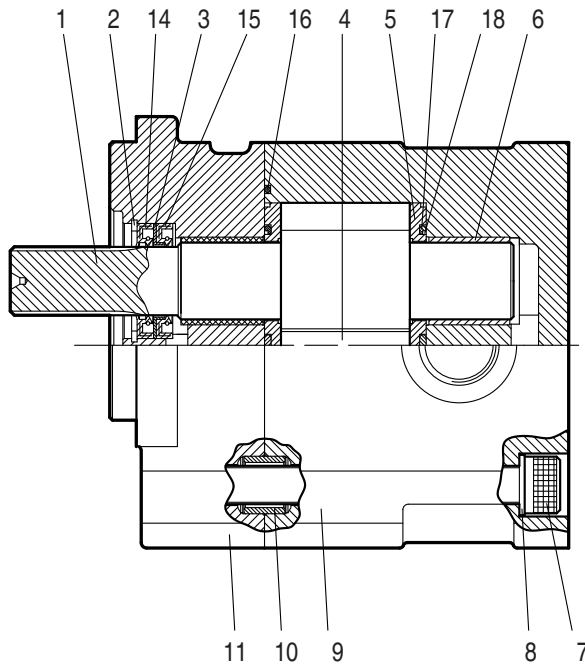
97698 HYDRAULIC PUMP ASSEMBLY 1000 RPM
For Models SM160R-03
Serial Numbers 12-02100 and Above
Replaced by 50042653 Pump Assembly



REF. NO.	PART NO.	QTY.	DESCRIPTION
1	98128	1	Circlip
2	98127	1	Support Ring 50 x 68 x 8
3	98126	1	Lock Ring
4	98125	1	Spacer, Front Cover
5	98124	2	Outboard Bearing
6	98123	1	Spacer Ring
7	98122	1	Washer 40 x50 x 0
8	98121	1	Support Ring
9	98120	2	Thrust Plate
10	98117	1	Drive Shaft
11	98116	1	Drive shaft
12	98115	4	Sleeve Bearing
13	98113	1	Gear Housing
14	98112	4	Steel Bushing
15	98111	1	Front Mounting Cover
16	70035	8	Washer
17	98110	8	Screw M12 x 45
18	98109	2	Circlip
19	98108	1	Connecting Shaft
20	98106	1	Support Shaft
21	87853	1	Plug 1/8" (not shown)
	98105	1	Seal Kit
22	—	2	Shaft Seal 50 x 68 x 8
23	—	1	O-Ring Seal
24	—	2	O-Ring Seal
25	—	2	Back-up Ring

97696 HYDRAULIC MOTOR ASSEMBLY 540 RPM

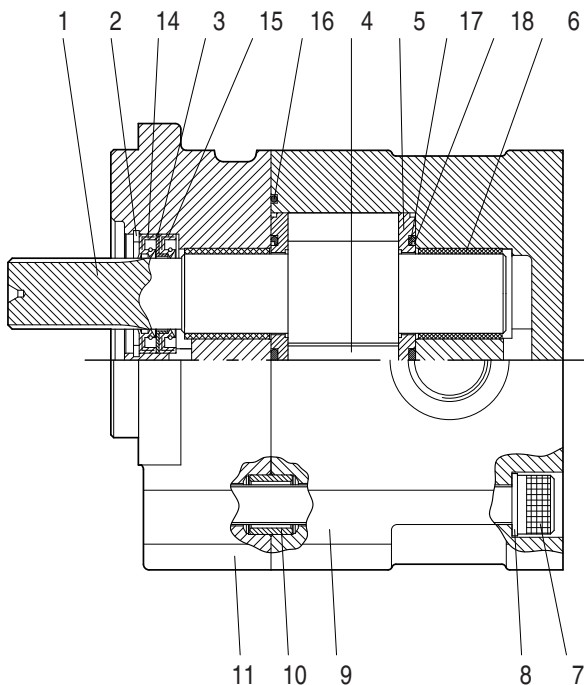
For Models SM60R03
Serial Numbers 12-02100 and Above



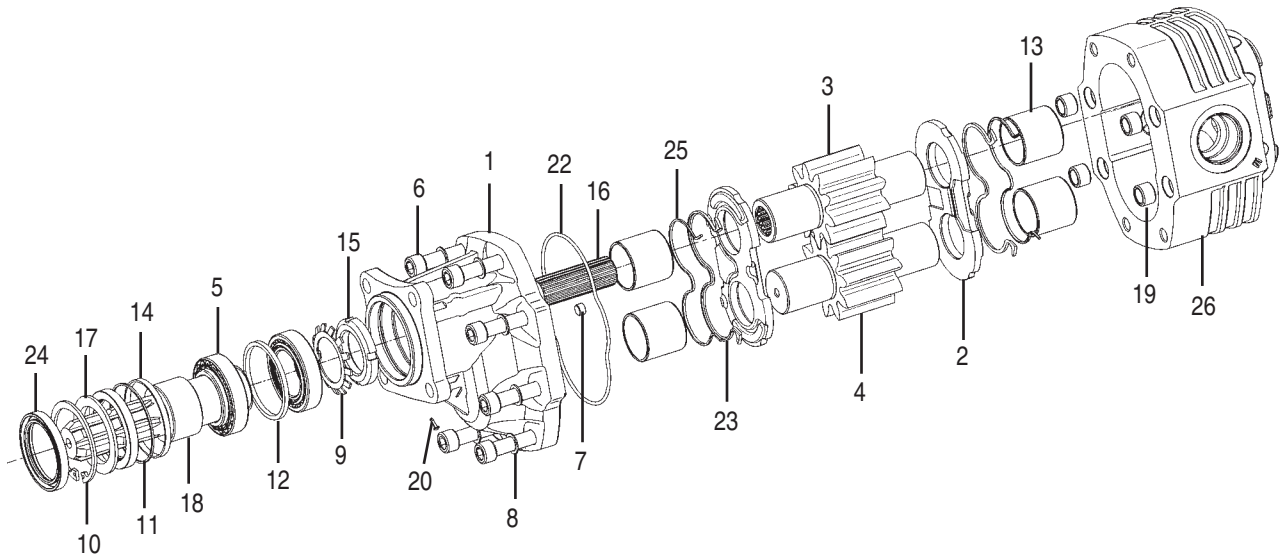
REF. NO.	PART NO.	QTY.	DESCRIPTION
1	98104	1	Drive Shaft
2	70039	1	Circlip
3	87858	1	Support Ring
4	98103	1	Drive Shaft
5	87863	2	Thrust Plate
6	87847	4	Sleeve Bearing
7	98102	4	Screw M14 x 130
8	98095	4	Washer
9	98149	1	Gear Housing
10	98093	4	Steel Bushing
11	98092	1	Front Mounting Cover
12	87868	2	Plug 1/8" NPT (Not Shown)
13	86954	2	Ball 1/4" (Not Shown)
	98090	1	Seal Kit
14	—	1	Shaft Seal
15	—	1	Shaft Seal
16	—	1	O-Ring Seal
17	—	2	O-Ring Seal
18	—	2	Back-Up Ring

97700 HYDRAULIC MOTOR ASSEMBLY 1000 RPM

For Models SM160R03
Serial Numbers 12-02100 and Above

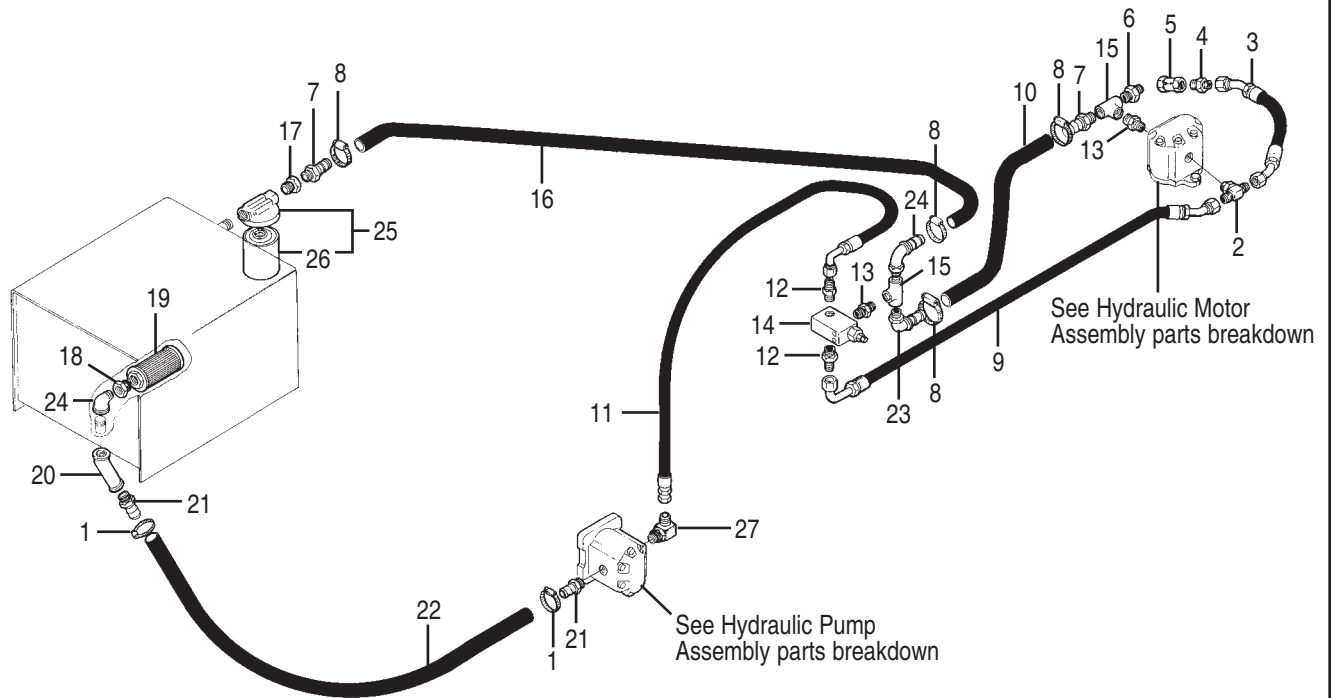


REF. NO.	PART NO.	QTY.	DESCRIPTION
1	98099	1	Drive Shaft
2	70039	1	Circlip
3	87858	1	Support Ring
4	98098	1	Drive Shaft
5	87863	2	Thrust Plate
6	87847	4	Sleeve Bearing
7	98096	4	Screw M14 x 120
8	98095	4	Washer M14
9	98094	1	Gear Housing
10	98093	4	Steel Bushing
11	98092	1	Front Mounting Cover
12	87868	2	Plug 1/8" NPT (Not Shown)
13	86954	2	Ball 1/4" (Not Shown)
	98090	2	Seal Kit
14	—	1	Shaft Seal
15	—	1	Shaft Seal
16	—	1	O-Ring Seal
17	—	2	O-Ring Seal
18	—	2	Back-Up Ring



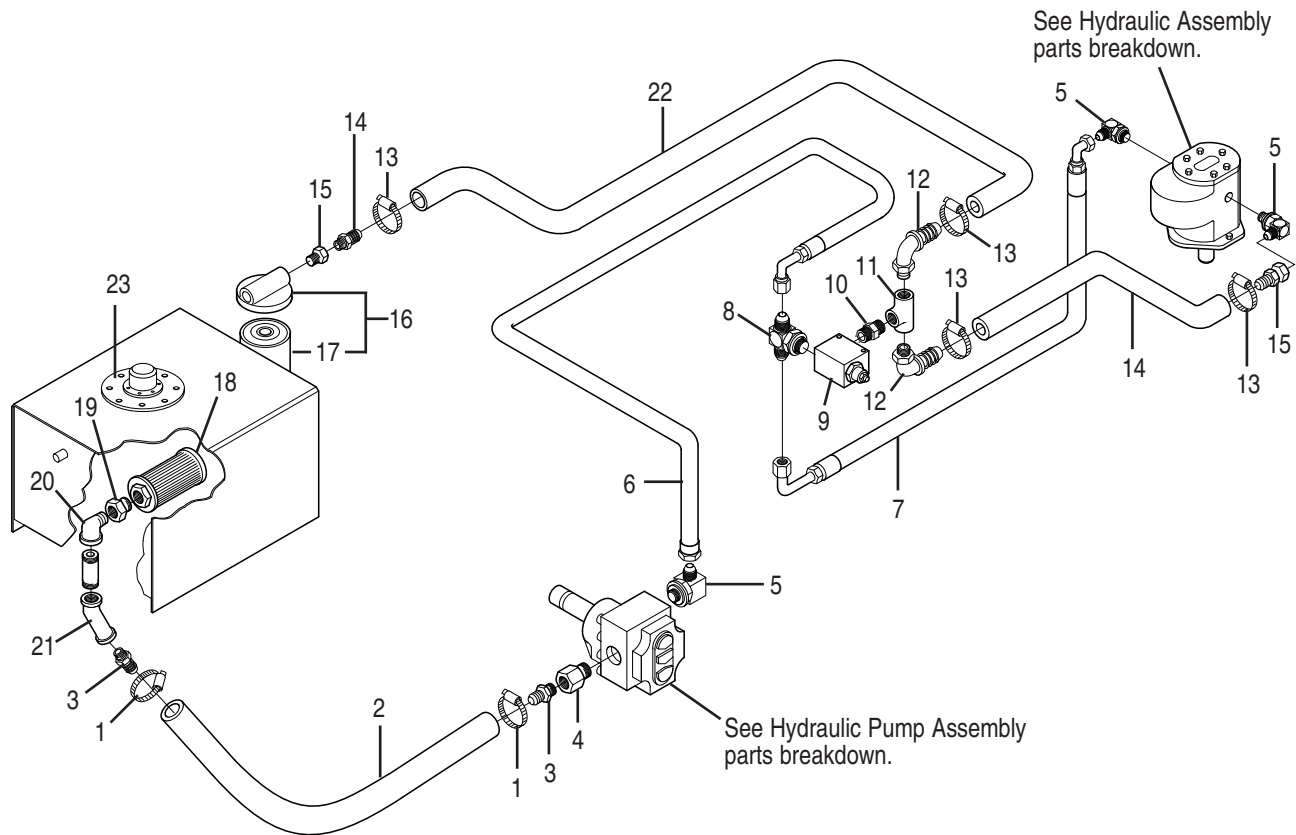
50040668 PUMP ASSEMBLY 540 RPM
 For Model SM60R-03 Serial Numbers 12-02100 & Above
50042653 PUMP ASSEMBLY 1000 RPM
 For Model SM60R-03 Serial Numbers 12-02100 & Above

REF. NO.	PART NO.	QTY.	DESCRIPTION
1	50042648	1	Front Cover
2	98120	2	Thrust Plate
3	98119	1	Drive Gear (540 RPM)
	98117	1	Drive Gear (1000 RPM)
4	98118	1	Driven Gear (540 RPM)
	98116	1	Driven Gear (1000 RPM)
5	98124	2	Roller Bearing
6	98110	8	Screw M12 x 45
7	87853	1	Grub Screw 1/8" NPT
8	70035	8	Knurled Washer
9	50042649	1	Lockwasher
10	98128	1	Ring
11	98126	1	Lock Ring
12	98123	1	Spacer Ring
13	98115	4	Sleeve Bearing
14	98125	1	Spacer, Cover
15	50042650	1	Threaded Locking Ring
16	98108	1	Hub
17	98127	1	Back-up Washer 50 x 68 x 8
18	50042651	1	Support Shaft (540 RPM)
	50042654	1	Support Shaft (1000 RPM)
19	98112	4	Steel Bushing
20	50042652	1	Protection Plug, Flange
21	98105	1	Seal Kit (22-25)
22	—	1	O-Ring
23	—	2	Seal
24	—	2	Shaft Seal 50 x 68 x 8
25	—	2	Back-up Ring
26	98113	1	Body (540 RPM)
	—	1	Body (1000 RPM)



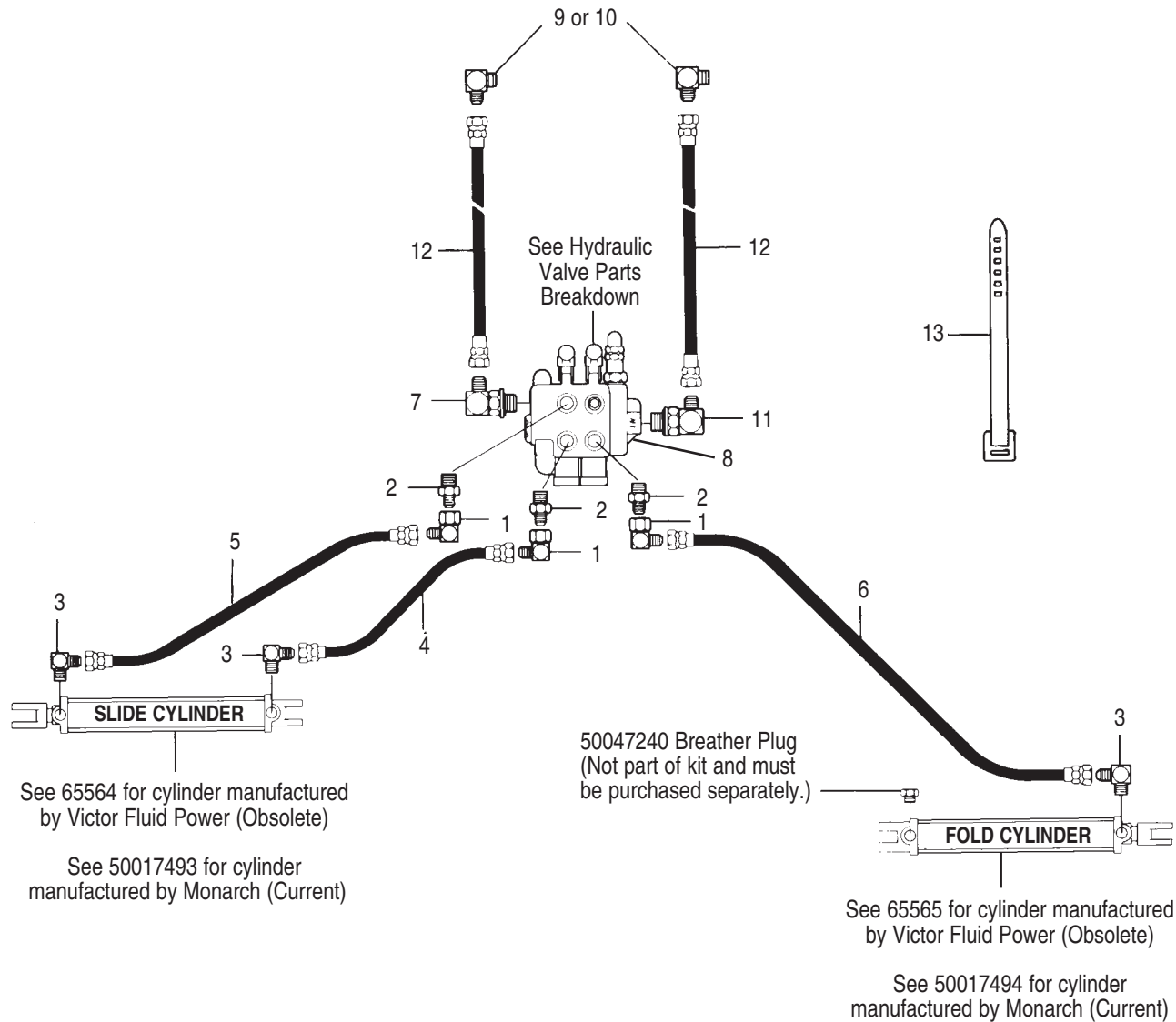
BASIC HYDRAULICS
For Models SM60 & SM160R
with Serial Numbers 12-02099 and Below

REF. NO.	PART NO.	QTY.	DESCRIPTION
1	65629	2	Hose Clamp
2	65448	1	Tee 1-1/16" - 12 SAE
3	65447	1	Hydraulic Hose 31", 1-1/16" - 12 JIC
4	65446	1	Adaptor, Straight 1-1/16" - 12 JIC to 3/4" NPT
5	65445	1	Check Valve 3/4" NPT
6	65443	1	Pipe Nipple 1" NPT to 3/4" NPT
7	65436	1	Hose Fitting 1"- 11-1/2" NPT
8	65630	4	Hose Clamp
9	65442	1	Hyd. Hose 59", 1-1/16" JIC Female Ends
10	65441	1	Hyd. Hose 54" (Return)
11	65422	1	Hyd. Hose 105", 1-1/16" JIC Female Ends
12	65423	2	Straight Connector 1-1/16" JIC to 1-1/16" NPT
13	65438	2	Straight Connector 1-1/16" ORB to 1-1/16" NPT
14	—	1	Relief Valve
15	65437	2	Pipe Tee 1" NPT Female
16	65450	1	Hyd. Hose 84" (Return)
17	65435	1	Reducer 1-1/4" NPT External to 1" NPT Internal
18	65593	1	Reducer 1-1/2" NPT External to 1-1/4" NPT Internal
19	65432	1	Sump Strainer
20	91447	1	45° Elbow
21	65428	2	Hose Fitting 1-1/4" - 11-1/2" NPT
22	65427	1	Hyd. Hose 24" (Return)
23	65420	2	Elbow 90° 1"-11-1/2" NPT to 1" Hose
24	65431	1	Elbow 90° 1-1/4" NPT Internal/External
25	90989	1	Return Line Filter Assembly
26	65680	1	Replacement Element
27	65594	1	90° Elbow 1-1/16" JIC to 1-1/16" ORB



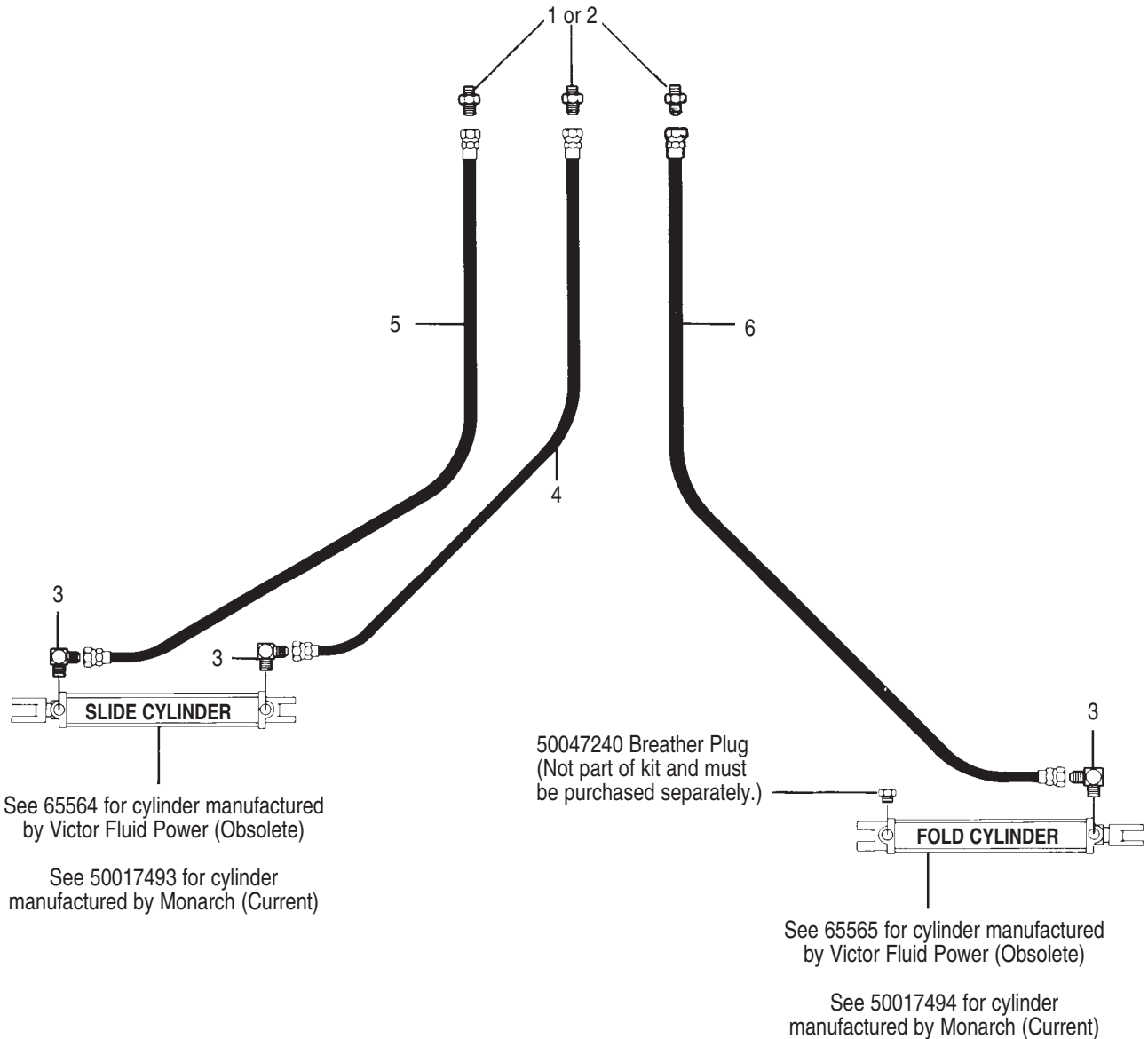
BASIC HYDRAULICS
For Models SM60R-3 & SM160R03
with Serial Numbers 12-02100 and Above

REF. NO.	PART NO.	QTY.	DESCRIPTION
1	65629	2	Hose Clamp
2	65427	1	Hyd. Hose 24" (Return)
3	65428	2	Hose Fitting 1-1/4" - 11-1/2" NPT
4	78520	1	Hyd. Fitting
5	65594	3	90° Elbow 1-1/16" JIC to 1-1/16" ORB
6	65422	1	Hyd. Hose 105", 1-1/16" JIC Female Ends
7	65442	1	Hyd. Hose 59" 1-1/16" JIC Female Ends
8	65448	1	Tee 1-1/16" - 12 SAE
9	99479	1	Relief Valve
10	65438	1	Straight Connector 1-1/16" ORB to 1-1/16" NPT
11	65437	1	Pipe Tee
12	65420	2	Elbow 90° 1" - 11-1/2" NPT to 1" Hose
13	65630	4	Hose Clamp
14	65441	1	Hyd. Hose 54" (Return)
15	97665	1	Hose Fitting
16	90989	1	Return Line Filter Assy.
17	65680	1	Replacement Element
18	65432	1	Sump Strainer
19	65593	1	Reducer 1-1/2" NPT External to 1-1/4" NPT Internal
20	65431	1	90° Elbow 1-1/4" NPT Internal/ External
21	91447	1	45° Elbow
22	65450	1	Hyd. Hose 84" (Return)
23	64052	1	Gasket, Tank Lid



HYDRAULIC VALVE KIT
For all Models SM60R & SM160R

REF. NO.	PART NO.	QTY.	DESCRIPTION
1	63453	3	Elbow 90° 9/16" JIC Male & Female
2	62428	3	Straight Adaptor 7/8" ORB to 9/16" JIC
3	14-40-98	3	Elbow 90° 9/16" jIC to 3/4" ORB
4	62431	1	Hydraulic Hose 126" - 9/16" JIC Ends
5	14-40-97	1	Hydraulic Hose 108" - 9/16" JIC Ends
6	79041	1	Hydraulic Hose 158" - 9/16" JIC Ends
7	25H40475	1	Elbow 90° 3/4" JIC to 7/8" ORB
8	65545	1	Hydraulic Control Valve
9	53337	2	Straight Adaptor 3/4" JIC to 3/4" ORB
10	6450010	2	Elbow 90° 1/2" NPT to 3/4" JIC
11	61471	1	Elbow 90° 1-1/16" ORB to 3/4" JIC
12	25H50266	2	Hydraulic Hose 120" - 3/4" JIC Ends
13	52161	2	Tie, Plastic

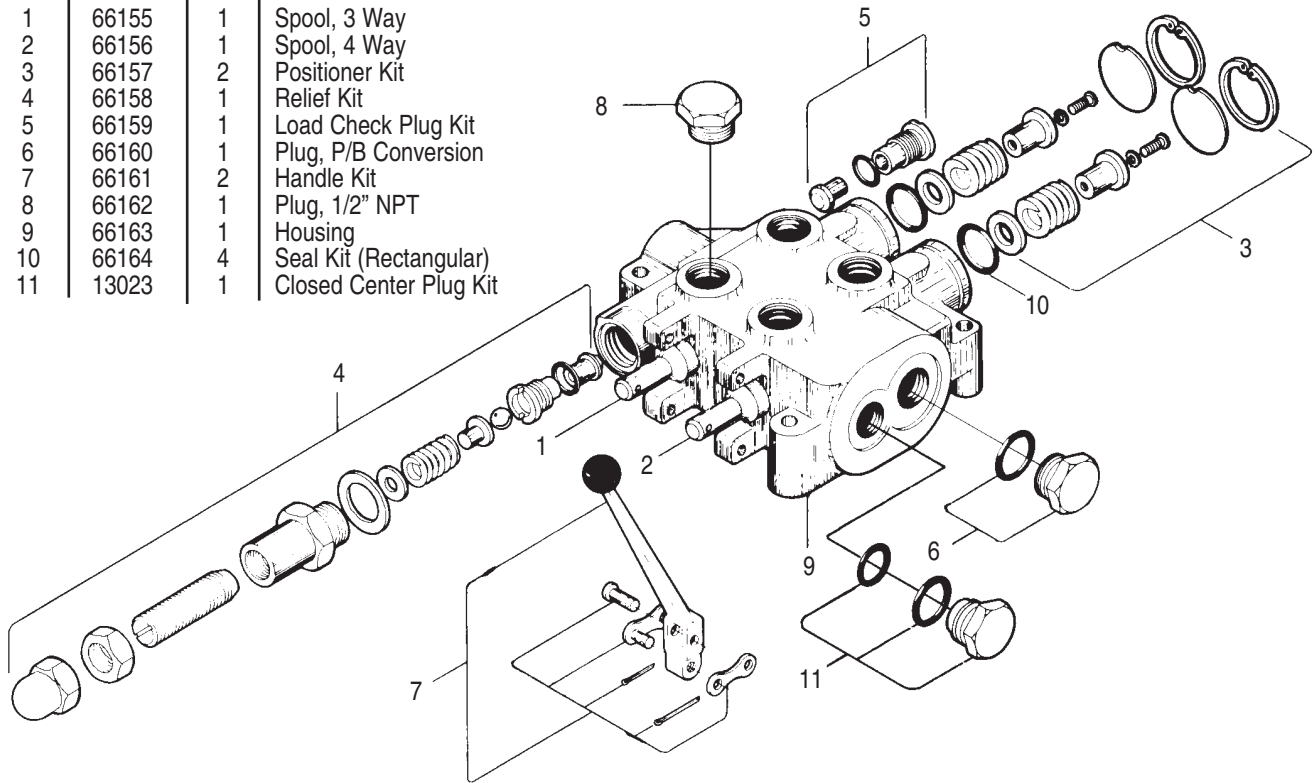


HYDRAULIC KIT FOR TRACTOR HYDRAULICS
For all models SM60R & SM160R

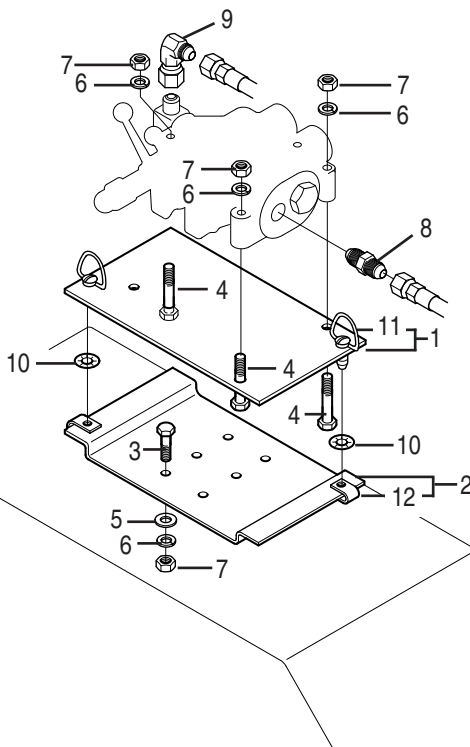
REF. NO.	PART NO.	QTY.	DESCRIPTION
1	24-6-434	3	Straight Adaptor 1/2" NPT to 9/16" JIC
2	53340	3	Straight Adaptor 3/4" ORB to 9/16" JIC
3	14-40-98	3	Elbow 90° 3/4" ORB to 9/16" JIC
4	53329	1	Hydraulic Hose 72"
5	1440100	1	Hydraulic Hose 60"
6	62431	1	Hydraulic Hose 116"

65643 HYDRAULIC VALVE Used on SM60 & SM160R Models

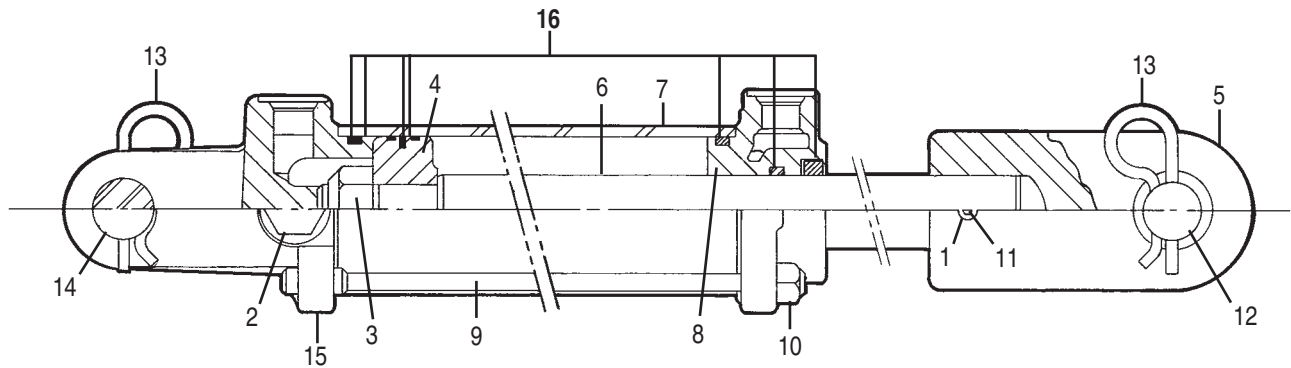
REF. NO.	PART NO.	QTY.	DESCRIPTION
1	66155	1	Spool, 3 Way
2	66156	1	Spool, 4 Way
3	66157	2	Positioner Kit
4	66158	1	Relief Kit
5	66159	1	Load Check Plug Kit
6	66160	1	Plug, P/B Conversion
7	66161	2	Handle Kit
8	66162	1	Plug, 1/2" NPT
9	66163	1	Housing
10	66164	4	Seal Kit (Rectangular)
11	13023	1	Closed Center Plug Kit



67717 BRACKET KIT, VALVE

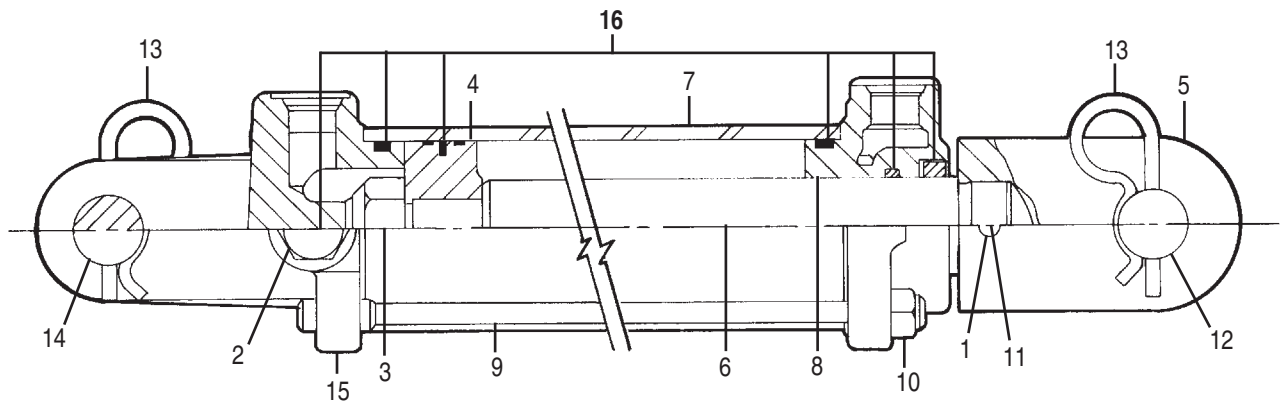


REF. NO.	PART NO.	QTY.	DESCRIPTION
1	67718	1	Valve Plate Assembly
2	67719	1	Base Plate Assembly
3	—	4	Capscrew 3/8" – 16 UNC x 1-1/2"
4	—	3	Capscrew 3/8" – 16 UNC x 2-1/2"
5	—	4	Flatwasher 3/8"
6	—	7	Lockwasher 3/8"
7	—	7	Hex Nut 3/8" – 16 UNC
8	25H43832	1	Hydraulic Fitting, Adaptor
9	25H40576	1	Hydraulic Fitting, 90° Elbow
10	80536	2	Push-on Retainer
11	67534	2	Quarter Turn Fastener
12	67533	2	Clip-on Receptacle



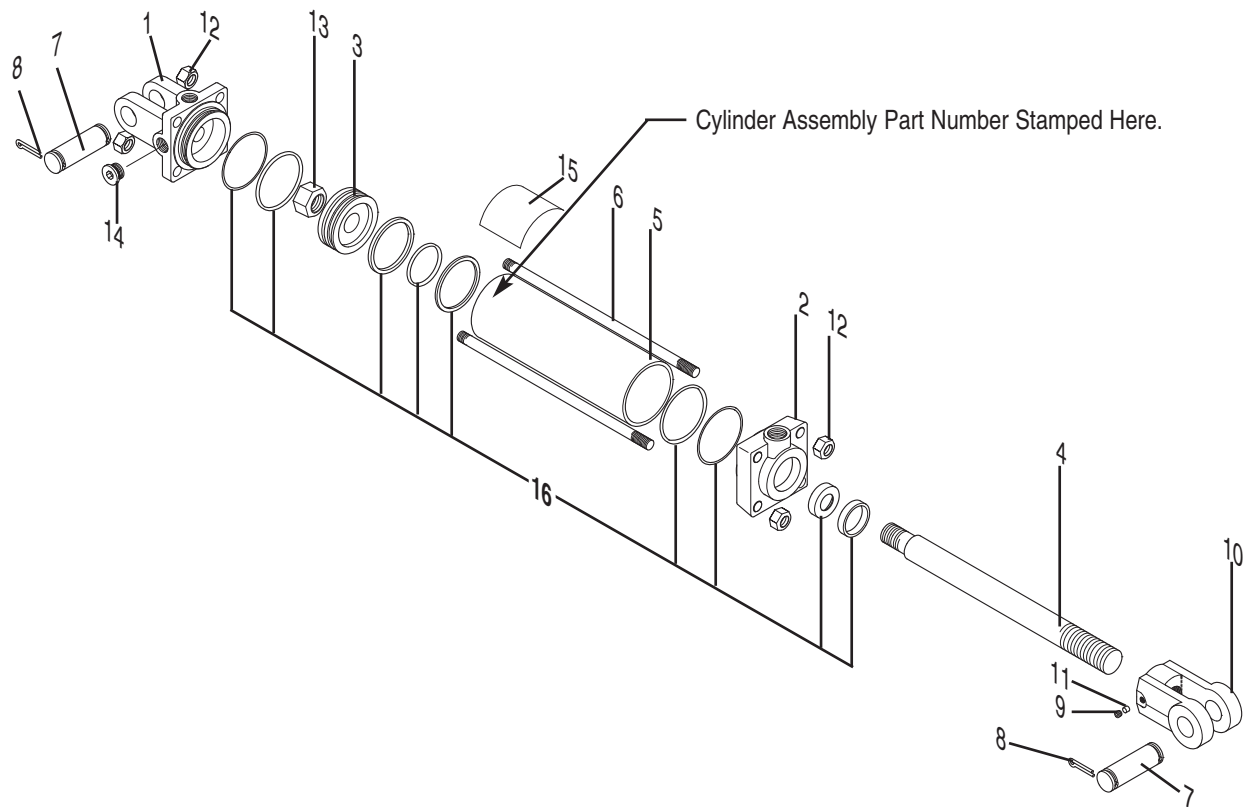
(OBSOLETE) 65565 HYDRAULIC CYLINDER (VICTOR FLUID POWER)
REPLACED BY 50017494
2-1/2" Bore x 16" Stroke Fold Cylinder for SM60R & SM160R

REF. NO.	PART NO.	QTY.	DESCRIPTION	REF. NO.	PART NO.	QTY.	DESCRIPTION
1	SP117	1	Setscrew	12	65651	1	Clevis Pin
2	SP122	1	Plug Assembly	13	65652	4	Cotter Pin
3	65334	1	Locknut	14	65653	1	Clevis Pin
4	86275	1	Piston	15	65670	1	Bottom Machine
5	65644	1	Clevis Assembly	16	86219	1	Seal Kit
6	65645	1	Shaft	—	—	2	Back-Up
7	65646	1	Case	—	—	2	O-Ring
8	65647	1	Head Machine	—	—	1	Piston Seal
9	65648	4	Tie Rods	—	—	1	O-Ring
10	65649	4	Nuts	—	—	1	U-Cup
11	65650	1	Nylon Plug	—	—	1	Wiper



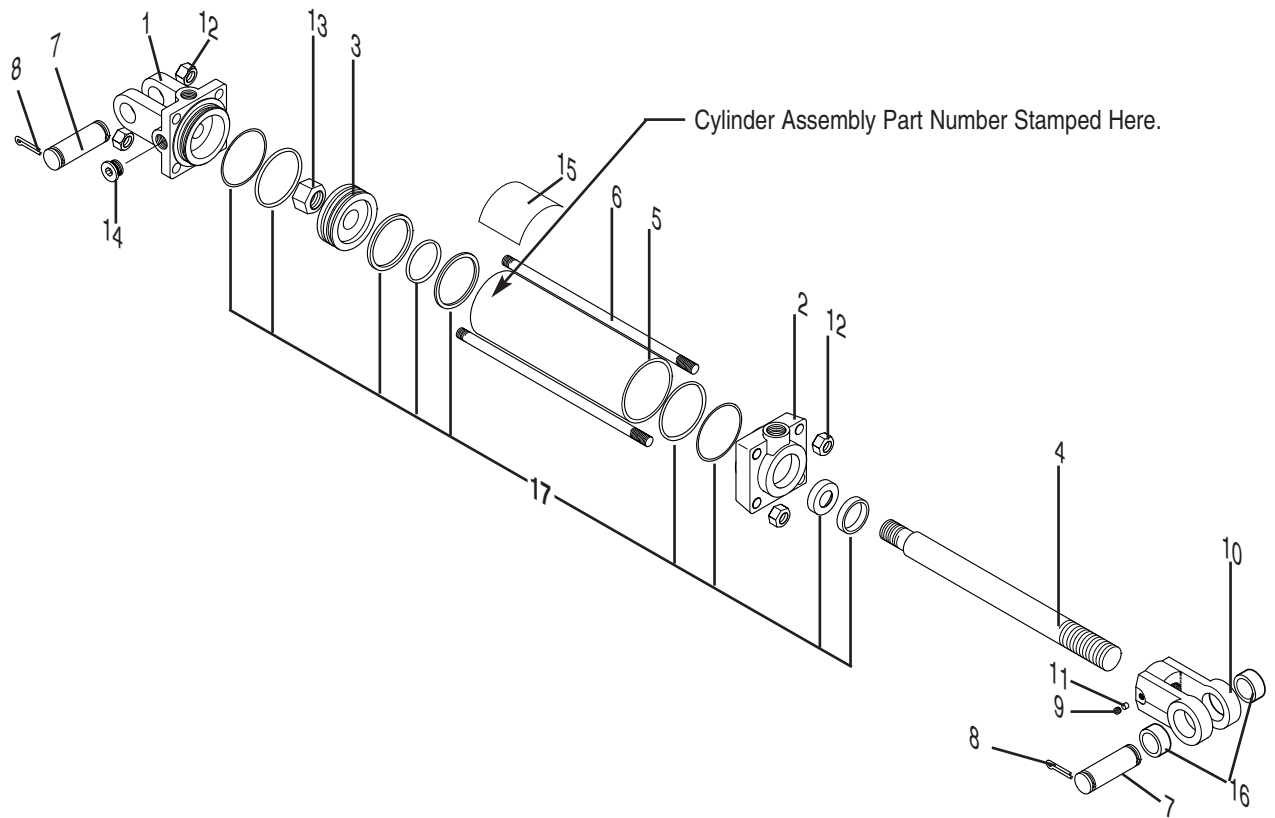
(OBSOLETE) 65564 HYDRAULIC CYLINDER (VICTOR FLUID POWER)
REPLACED BY 50017493
2-1/2" Bore x 31-1/4" Stroke Slide Cylinder for SM60R & SM160R

REF. NO.	PART NO.	QTY.	DESCRIPTION	REF. NO.	PART NO.	QTY.	DESCRIPTION
1	SP117	1	Setscrew	12	65660	1	Clevis Pin
2	SP122	1	Plug Assembly	13	65652	4	Cotter Pin
3	65334	1	Locknut	14	65659	1	Clevis Pin
4	86275	1	Piston	15	65670	1	Bottom Machine
5	65655	1	Clevis Assembly	16	86176	1	Seal Kit
6	—	1	Shaft	—	—	2	Back-Up
7	65657	1	Case	—	—	2	O-Ring
8	65658	1	Head Machine	—	—	1	Piston Seal
9	65662	4	Tie Rods	—	—	1	O-Ring
10	65649	4	Nuts	—	—	1	U-Cup
11	65650	1	Nylon Plug	—	—	1	Wiper



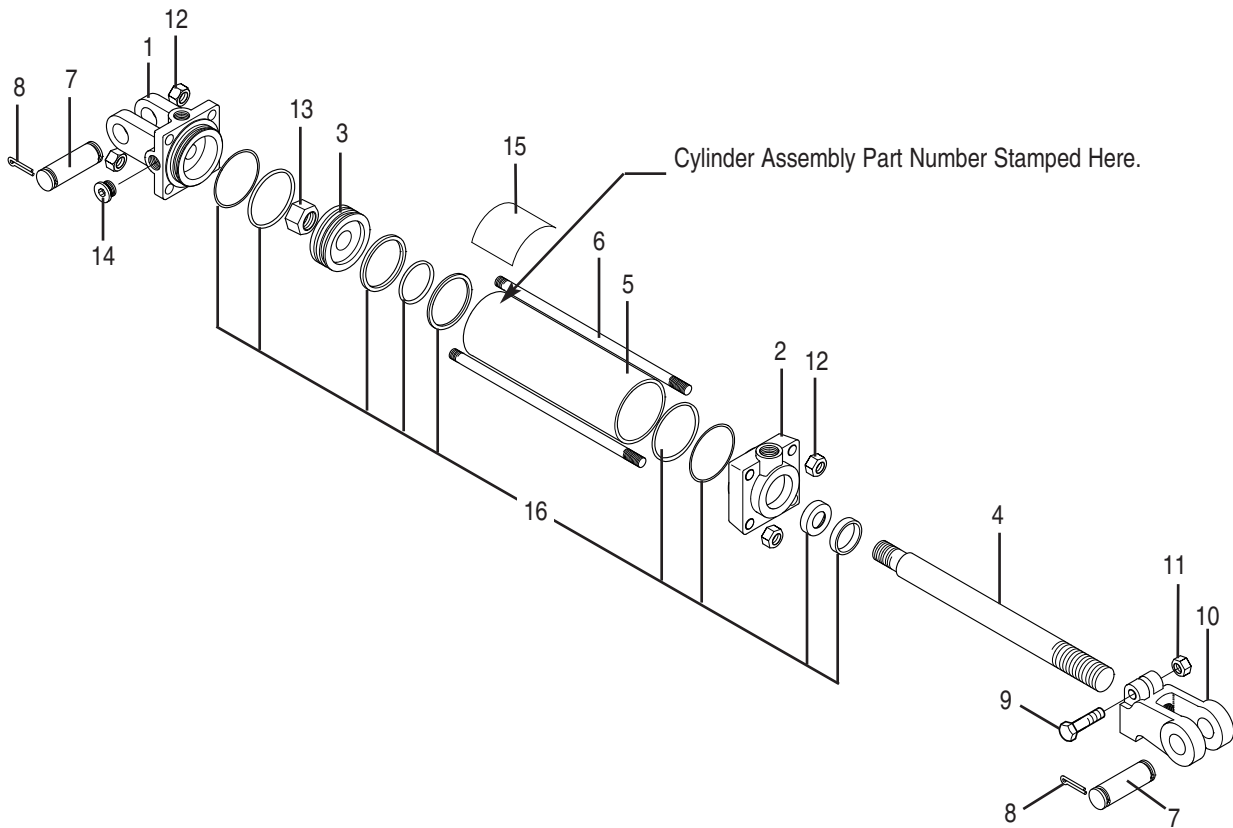
50017493 HYDRAULIC CYLINDER
 (Was Part No. 95399)
 Manufactured by Monarch
 2.5" Bore x 31.25" Stroke 1.25" Rod Dia.
 3/4" – 16 ORB Ports
 Replaced by 50058262 Hydraulic Cylinder

REF. NO.	PART NO.	QTY.	DESCRIPTION
1	95477	1	Clevis Cap
2	92478	1	Rod Cap
3	95480	1	Piston
4	95501	1	Rod 1.25" Dia.
5	95499	1	Cylinder Tube
6	95500	4	Tie Rod
7	95425	2	Pin 1" Dia.
8	21020614	4	Cotter Pin 3/16" x 1 1/2"
9	95433	1	Thread Lock
10	95428	1	Rod Clevis 1.25" x 1"
11	95422	1	Set Screw 3/8" x 1/2 Knurled
12	8151200	8	Hex Nut 3/8"
13	95452	1	Hex Nut 3/4" UNF
14	95435	1	Plug 3/4"
15	95423	1	Caution Decal
16	50017621	1	Seal Kit



50017494 HYDRAULIC CYLINDER
 (Was Part No. 95400)
 Manufactured by Monarch
 2.5" Bore X 16" Stroke 1.25" Rod Dia.
 3/4" -16 ORB Ports
 Replaced by 50058261 Hydraulic Cylinder

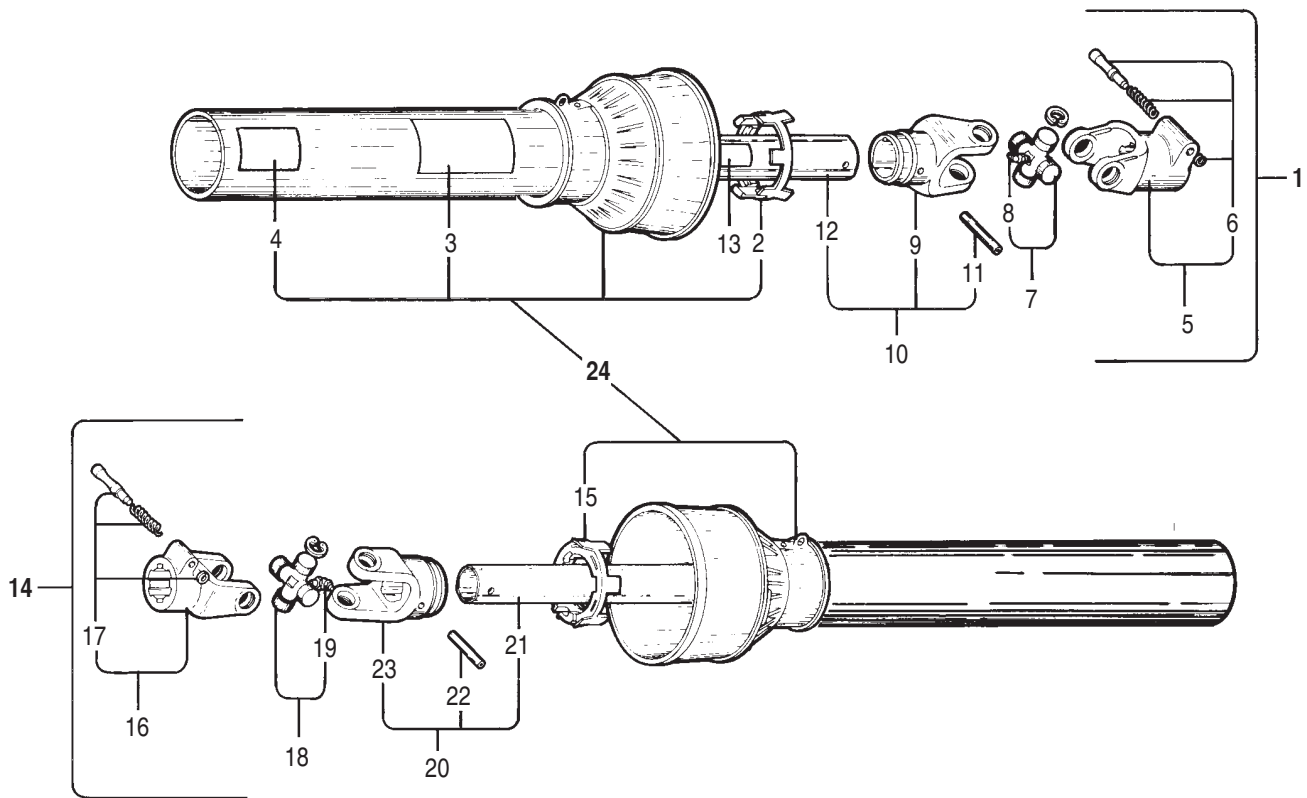
REF. NO.	PART NO.	QTY.	DESCRIPTION
1	95477	1	Clevis Cap
2	92478	1	Rod Cap
3	95480	1	Piston
4	95494	1	Rod 1.25" Dia.
5	95491	1	Cylinder Tube
6	95492	4	Tie Rod
7	95425	2	Pin 1" Dia.
8	21020614	4	Cotter Pin 3/16" x 1 1/2"
9	95433	1	Thread Lock
10	95493	1	Rod Clevis 1.25" x 1"
11	95422	1	Set Screw 3/8" x 1/2 Knurled
12	8151200	8	Hex Nut 3/8"
13	95452	1	Hex Nut 3/4" UNF
14	95435	1	Plug 3/4"
15	95423	1	Caution Decal
16	95490	2	Bushing 1 1/4" OD x 3/4" L
17	50017621	1	Seal Kit



50058261 HYDRAULIC CYLINDER
 Mfd. by Bailey
 2.50" Bore x 16" Stroke, 1.25" Rod Dia.

50058262 HYDRAULIC CYLINDER
 Mfd. by Bailey
 2.50" Bore x 31.25" Stroke, 1.25" Rod Dia.

REF. NO.	PART NO.	QTY.	DESCRIPTION
1	—	1	End Clevis
2	—	1	Gland
3	—	1	Piston
4	—	1	Piston Rod
5	—	1	Cylinder Tube
6	—	4	Tie Rod
7	—	2	Clevis Pin
8	—	4	Cotter Pin
9	—	1	Rod Clevis Bolt M10 x 1.5 x 65
10	—	1	Rod Clevis
11	—	1	Rod Clevis Nut
12	—	4	Tie Rod Nut M10 x 1.5
13	—	1	Piston Nut M20 x 2.5
14	—	3	Steel Plug w/ O-Ring
15	—	1	Warning Decal
16	50058323	1	Seal Kit



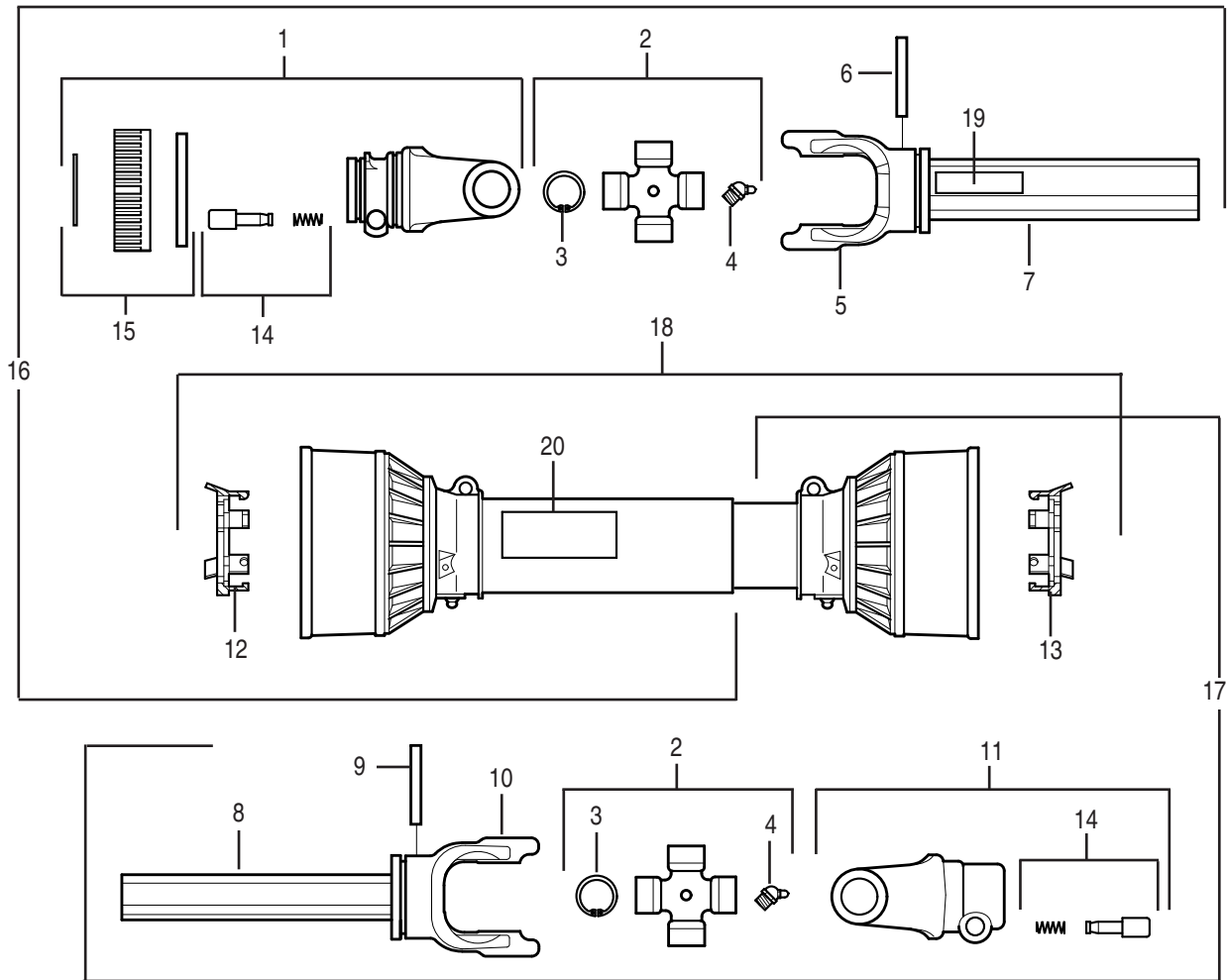
65566 540 RPM DRIVESHAFT FOR SM60R STANDARD HITCH
 Replaced by 71525 Driveshaft

67537 540 RPM DRIVESHAFT FOR SM60R QUICK HITCH
 (Obsolete. For replacement parts only.)

67538 1000 RPM DRIVESHAFT FOR SM160R QUICK HITCH
 (Obsolete. For replacement parts only.)

65584 1000 RPM DRIVESHAFT FOR SM160OR STANDARD HITCH

REF. NO.	PART NO.	QTY.	DESCRIPTION	REF. NO.	PART NO.	QTY.	DESCRIPTION
1	76905	1	Shielded Outer Half, 540 RPM Std. Hitch	12	87972	1	Outer Tube, Std. Hitch
	66956	1	Shielded Outer Half, 1000 RPM Std. Hitch		68132	1	Outer Tube, Quick Hitch
	68146	1	Shielded Outer Half, 540 RPM Quick Hitch	13	78786	1	Danger Decal
	68139	1	Shielded Outer Half, 1000 RPM Quick Hitch	14	50049550	1	Shielded Inner Half, Std. Hitch
2	66943	1	Outer Guard Collar, Std. Hitch		68140	1	Shielded Inner Half, Quick Hitch
	65704	1	Outer Guard Collar, Quick Hitch	15	66944	1	Inner Guard Collar, Std. Hitch
3	64571	1	Danger Decal		67500	1	Inner Guard Collar, Quick Hitch
4	69427	1	Caution Decal	16	50049549	1	Q.D. Yoke Assy.
5	50049549	1	Q.D. Yoke Assy., 540 RPM 1-3/8" - 6 Spline	17	63945	1	Q.D. Pin Kit
	66957	1	Q.D. Yoke Assy., 1000 RPM 1-3/8" - 21 Spline	18	64610	1	Cross Bearing Kit
	86400	1	Q.D. Yoke Assy., 1000 RPM 1-3/4" - 20 Spline	19	63956	1	Grease Fitting
6	63945	1	Q.D. Pin Kit	20	66951	1	Inner Yoke & Tube Assy., Std. Hitch
	68169	1	Push Pin 1-3/4" Yoke		68142	1	Inner Yoke & Tube Assy. Quick Hitch
7	64610	1	Cross Bearing Kit	21	87973	1	Inner Tube, Std. Hitch
8	63956	1	Grease Fitting		68133	1	Inner Tube, Quick Hitch
9	66112	1	Outer Yoke	22	66110	1	Roll Pin
10	66950	1	Inner Yoke & Tube Assy. (Std. Hitch)	23	66109	1	Inner Yoke
	68141	1	Inner Yoke & Tube Assy. (Quick Hitch)	24	66947	1	Safety Guard, Std. Hitch
11	66113	11	Roll Pin		68137	1	Safety Guard, Quick Hitch



99317 DRIVESHAFT ASSEMBLY

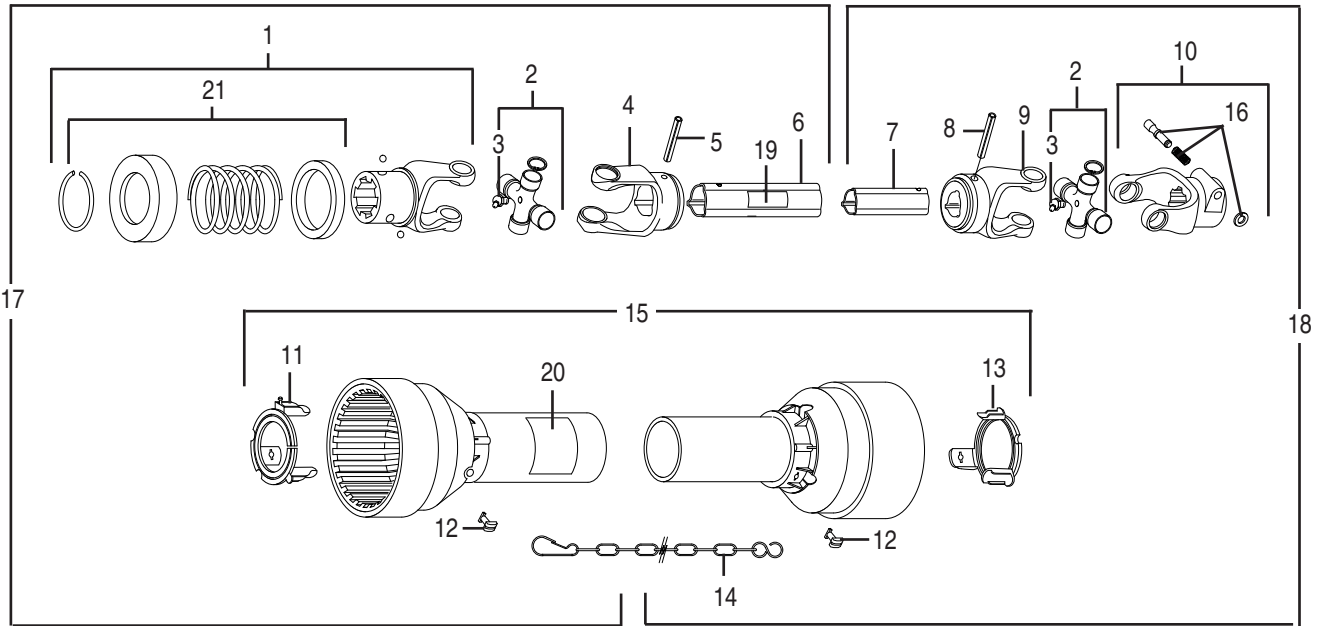
1-3/8 - 21 Spline - 1000 RPM

Manufactured by Bondioli

Used on SM160 Models

Replaced by 71526 Driveshaft

REF. NO.	PART NO.	QTY.	DESCRIPTION
1	76910	1	Yoke
2	64610	2	Cross Bearing Assembly
3	—	8	Circlip
4	63956	2	Grease Nipple
5	66112	1	Outer Tube Yoke
6	66113	1	Flexible Pin
7	66937	1	Cardan Tube, Outer
8	66938	1	Cardan Tube, Inner
9	66110	1	Flexible Pin
10	66109	1	Inner Tube Yoke
11	66957	1	Yoke Assembly
12	65704	1	Shield Support, Outer
13	65700	1	Shield Support, Inner
14	63945	2	Complete Push Button
15	50042366	1	Sleeve
16	76909	1	Half Shaft, Tractor
17	50049548	1	Half Shaft, Implement
18	66947	1	Safety Shield
19	78786	1	Danger Decal
20	78608	1	Safety Decal



71525 DRIVESHAFT ASSEMBLY (MFD. BY COMER)

540 RPM, 1-3/8" – 6 Spline

Model: SM60R

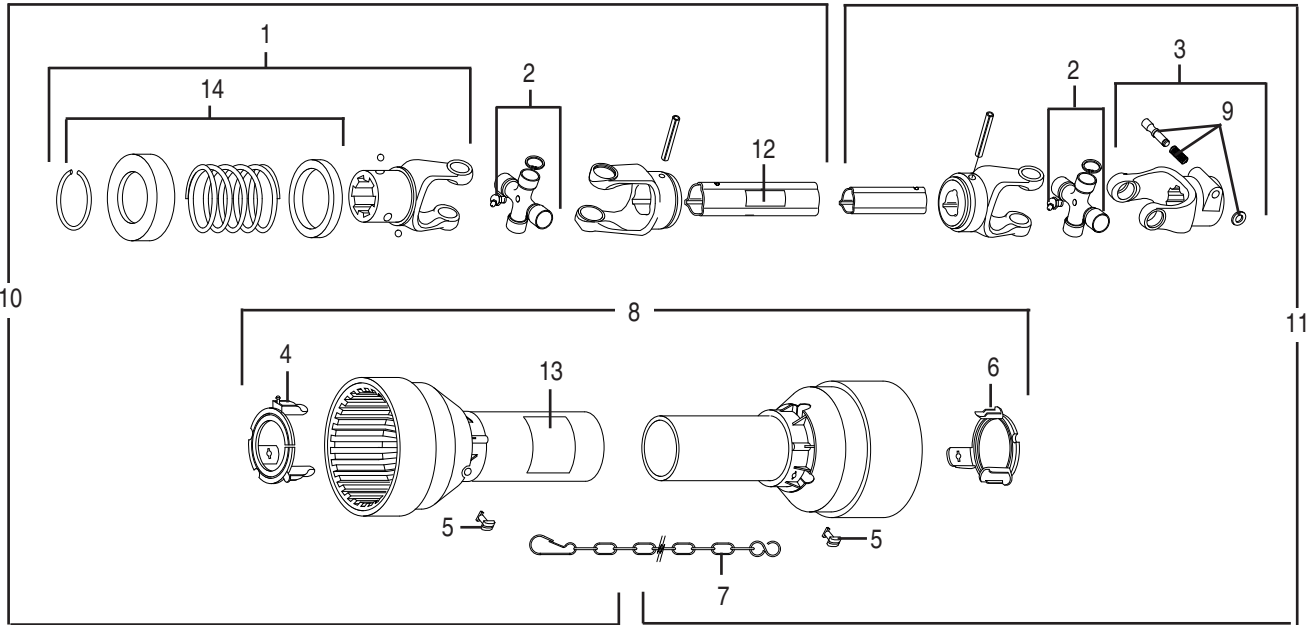
Replaced by 50053129 Driveshaft Assembly

71526 DRIVESHAFT ASSEMBLY (MFD. BY COMER)

1000 RPM, 1-3/8" – 21 Spline

Model: SM160R

REF. NO.	PART NO.	QTY.	DESCRIPTION
1	76801	1	Complete Collar Yoke (540 RPM)
	76910	1	Complete Collar Yoke (1000 RPM)
2	64610	2	Cross Journal Set
3	63956	2	Grease Nipple
4	66112	1	Outer Yoke
5	66869	1	Roll Pin, Outer Tube
6	87972	1	Complete Outer Tube
7	87973	1	Inner Tube
8	66110	1	Roll Pin, Inner Tube
9	66109	1	Inner Yoke
10	50049549	1	Push Pin Yoke
11	87995	1	Guard Retaining Collar, Outer Tube
12	87992	6	Bolt
13	87993	1	Guard Retaining Collar, Inner Tube
14	64814	2	Safety Chain
15	50049547	1	Complete Guard w/ Instruction Manual
16	76062	1	Push Pin Set 1-3/8"
17	76905	1	Half Female Shaft w/ Guarding (540 RPM)
	76909	1	Half Female Shaft w/ Guarding (1000 RPM)
18	50049550	1	Half Male Shaft w/ Guarding (540 RPM)
	50049548	1	Half Male Shaft w/ Guarding (1000 RM)
19	78786	1	Danger Decal, Outer Tube
20	78608	1	Danger Decal, Outer Shield
21	50017480	1	Collar Kit 3/8"

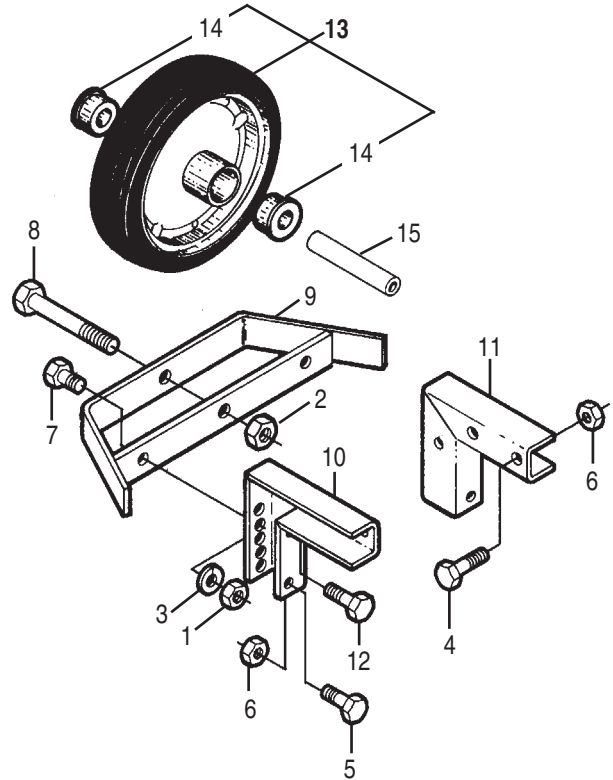


50053129 DRIVESHAFT ASSEMBLY
 540 RPM, 1-3/8" – 6 Spline
 Mfd. by Comer
 Replaces 71525 Driveshaft
 Model: SM60R

REF. NO.	PART NO.	QTY.	DESCRIPTION
1	76801	1	Complete Collar Yoke
2	64610	2	Cross Journal Set
3	50049549	1	Push Pin Yoke
4	50053169	1	Guard Retaining Collar, Outer Tube
5	50050289	6	Bolt
6	50053240	1	Guard Retaining Collar, Inner Tube
7	64814	2	Safety Chain
8	50053241	1	Complete Guard w/ Instruction Manual
9	76062	1	Push Pin Set 1-3/8"
10	50053242	1	Half Female Shaft w/ Guarding
11	50053243	1	Half Male Shaft w/ Guarding
12	78786	1	Danger Decal, Outer Tube
13	78608	1	Danger Decal, Outer Shield
14	50017480	1	Collar Kit 3/8"

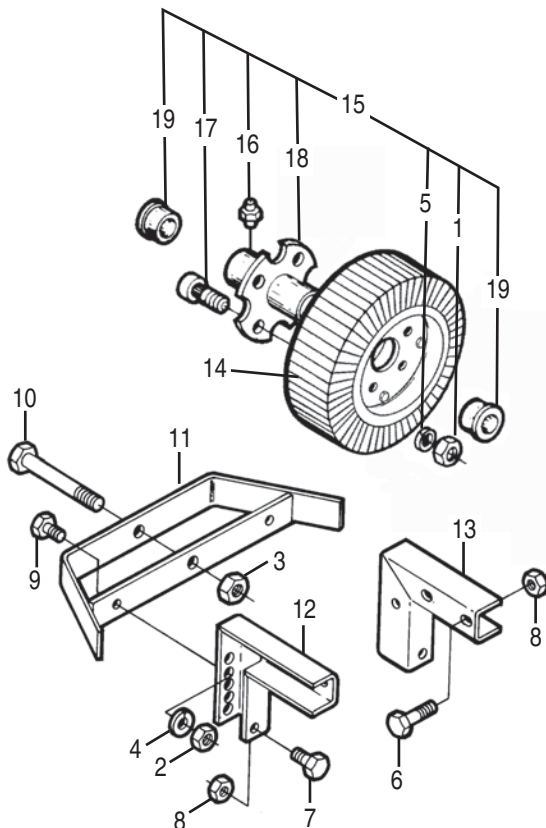
**(OLD STYLE)
SIDEWHEEL ASSEMBLY
WITH SOLID RUBBER TIRE**

REF. NO.	PART NO.	QTY.	DESCRIPTION
1	—	2	Hex Nut 5/8" - 11 UNC
2	20638	1	Locknut 3/4" - 10 UNC
3	—	2	Lockwasher 5/8"
4	—	4	Capscrew 3/8" - 16 UNC x 3" Gr.5
5	—	4	Capscrew 3/8" - 16 UNC x 1" Gr.5
6	20363	8	Locknut 3/8" - 16 UNC
7	—	2	Capscrew 5/8" - 11 UNC x 1-1/2" Gr.5
8	20946	1	Capscrew 3/4" - 10 UNC x 8" Gr.5
9	78507	1	Side Wheel Frame Weldment
10	81495	1	Adjusting Brace Weldment, R.H.
11	81496	1	Adjusting Brace Weldment, L.H.
12	—	1	Capscrew 3/8" - 16 UNC x 1-1/4" Gr.5
13	50058327	1	Wheel Assembly
14	50058328	2	Bushing
15	12263	1	Spacer Tube

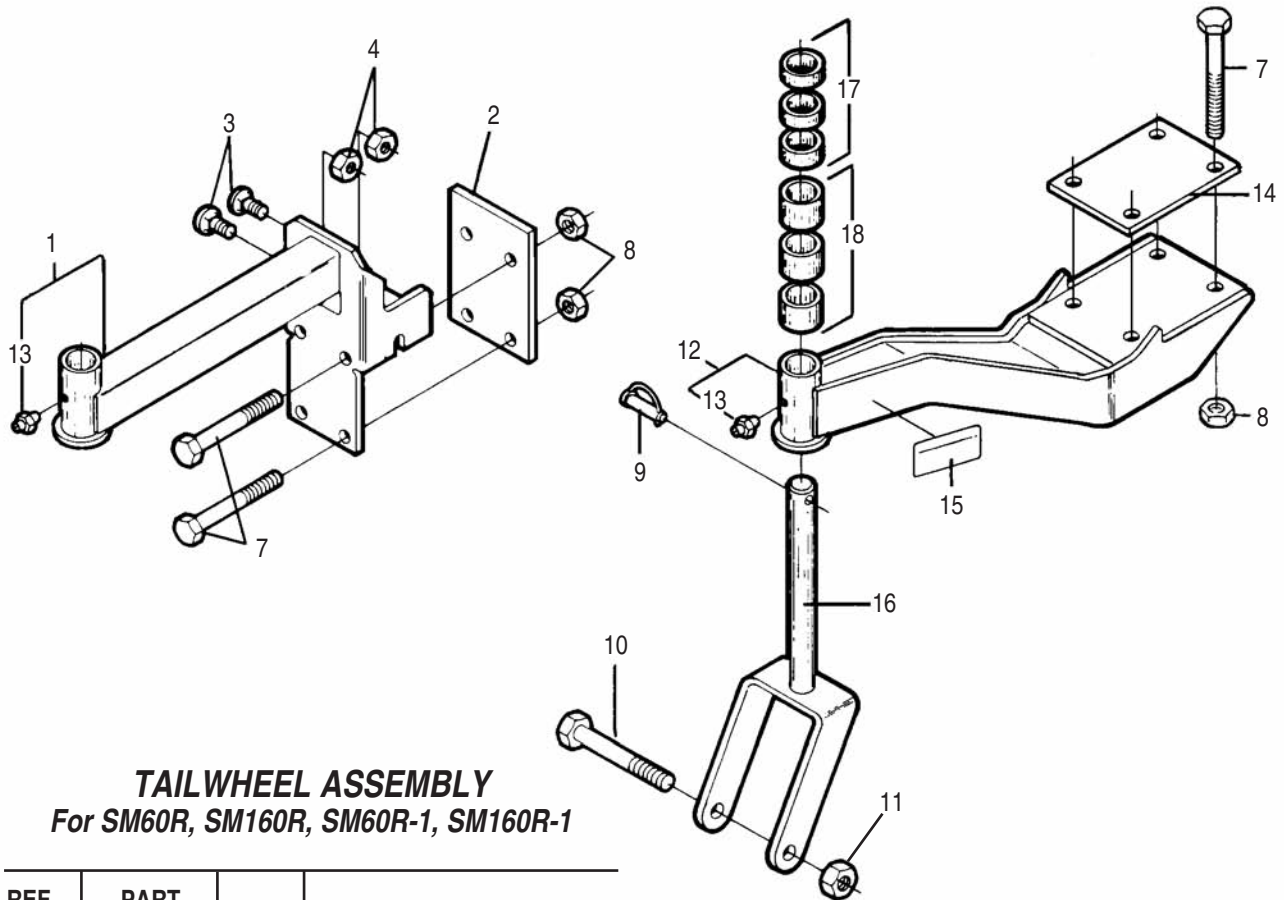


NOTE: If your tailwheel does not use sleeve Ref. No. 15 and the bushing has a 3/4" hole instead of 1", order 66383 wheel bushings.

**79038 SIDEWHEEL ASSEMBLY
WITH LAMINATED TIRE**

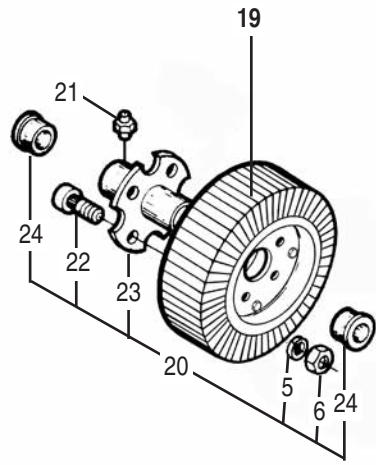


REF. NO.	PART NO.	QTY.	DESCRIPTION
1	15507	4	Hex Nut 1/2" - 20 UNF
2	—	2	Hex Nut 5/8" - 11 UNC
3	20638	1	Locknut 3/4" - 10 UNC
4	—	2	Lockwasher 5/8"
5	—	4	Lockwasher 1/2"
6	—	2	Capscrew 3/8" - 16 UNC x 3" Gr.5
7	—	4	Capscrew 3/8" - 16 UNC x 1-1/4" Gr.5
8	20363	6	Locknut 3/8" - 16 UNC
9	—	2	Capscrew 5/8" - 11 UNC x 1-1/2" Gr.5
10	20946	1	Capscrew 3/4" - 10 UNC x 8" Gr.5
11	78507	1	Sidewheel Frame Weldment
12	81495	1	Adjusting Brace Weld., R.H.
13	81496	1	Adjusting Brace Weld., L.H.
14	500	1	Wheel Assembly
15	63813	1	Hub Assembly
16	449	1	Grease Fitting
17	20987	4	Wheel Bolt 1/2" - 20 UNF x 2"
18	60990	1	Wheel Hub Weldment
19	63811	2	Bushing



TAILWHEEL ASSEMBLY
For SM60R, SM160R, SM60R-1, SM160R-1

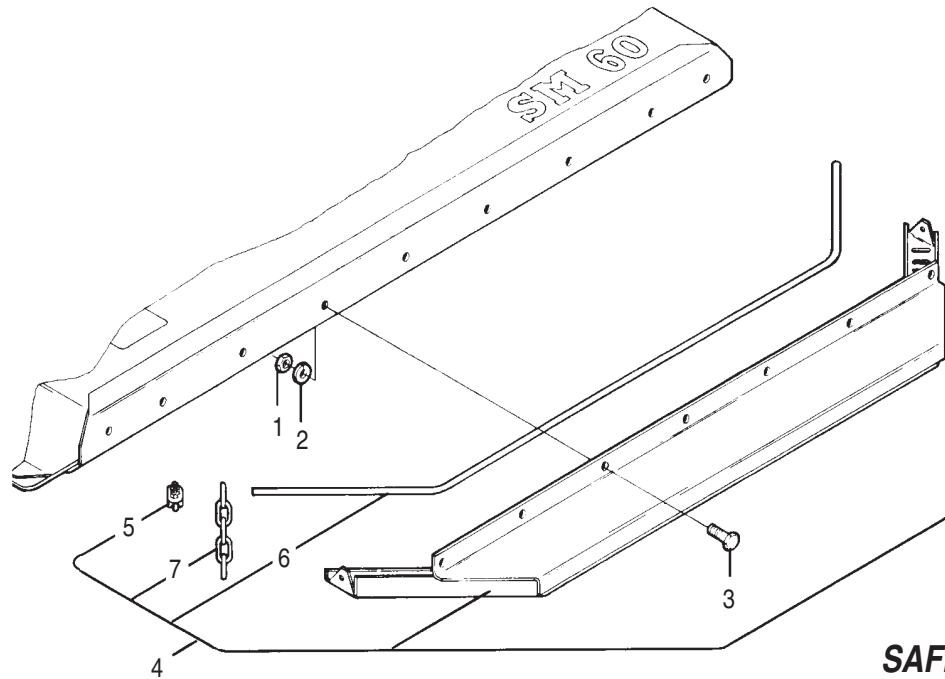
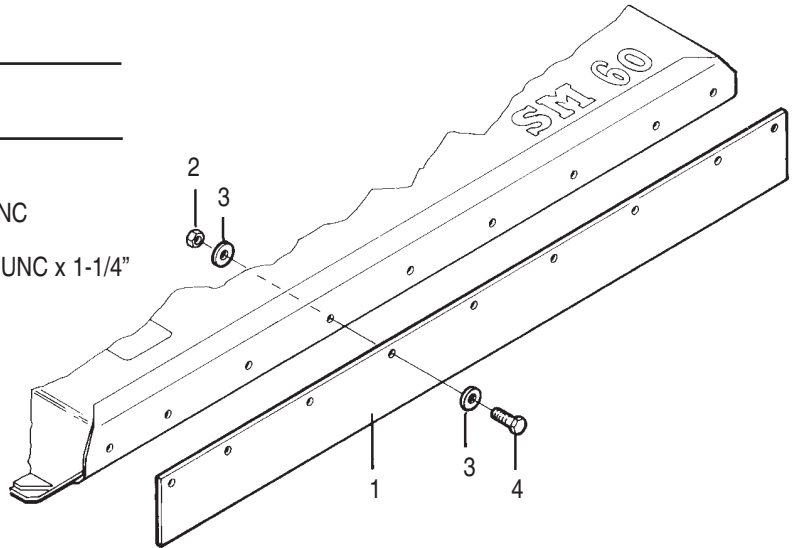
REF. NO.	PART NO.	QTY.	DESCRIPTION
1	78668	1	Tailwheel Beam Weld. (SM60R, SM160R)
2	78669	1	Plate, Back (SM60, SM160)
3	05161614	2	Carriage Bolt 1/2" x 1-1/2" Gr.5
4	15554	2	Locknut 1/2"
5	86805	1	Tailwheel Assy. (New Style)
6	15507	4	Hex Nut 1/2" - 20 UNF
7	—	4	Lockwasher 1/2"
8	44164	4	Capscrew 5/8" x 7-1/2" Gr.5
9	20414	4	Locknut 5/8"
10	79094	1	Pin, Snap
11	20946	1	Capscrew 3/4" x 8" Gr.5
12	20638	1	Locknut 3/4"
13	86803	1	Tailwheel Beam Weld.
14	449	1	Grease Fitting
15	86804	1	Clamp Plate
16	83376	1	Warning Decal
17	78660	1	Caster Fork Weld.
18	78716	3	Spacer 1"
19	78717	3	Spacer 2"
20	500	1	Wheel Assy.
21	63813	1	Hub Assy.
22	449	1	Grease Fitting
23	20987	4	Wheel Bolt 1/2" - 20 UNF x 2"
24	60990	1	Wheel Hub
	63811	2	Bushing



Note: New style tailwheel assembly 86805 will fit old & new SM60 designs. When complete tailwheel assembly is to be replaced, order 86805.

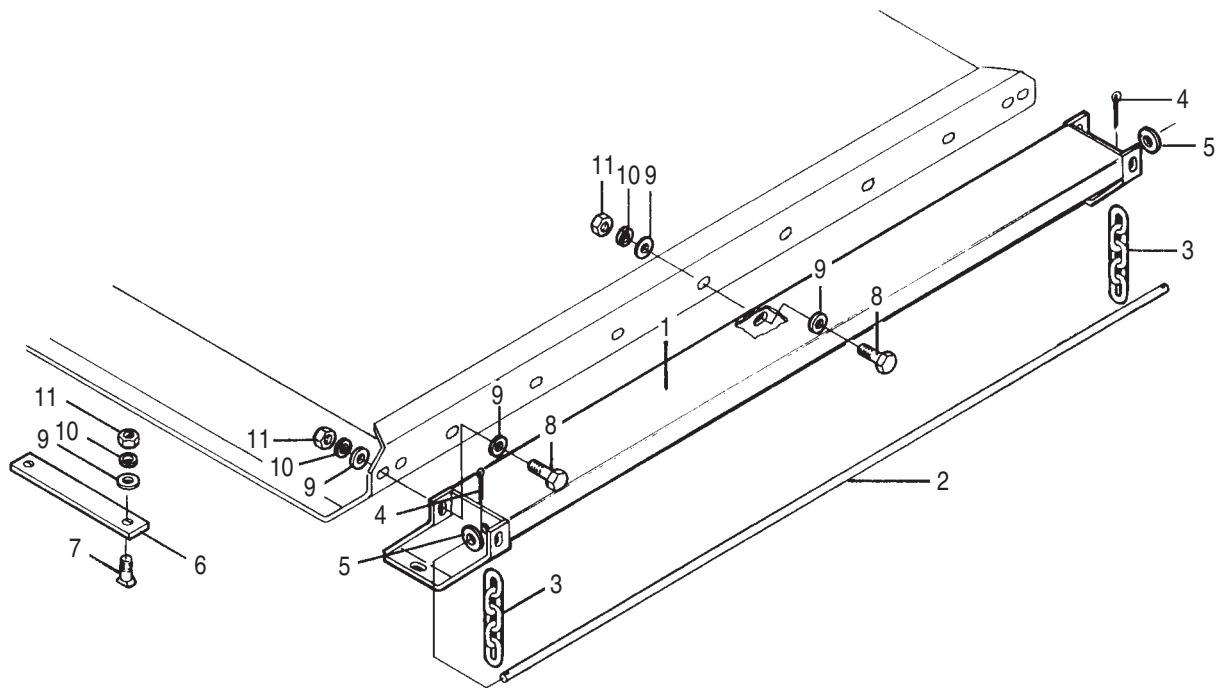
82528 DEFLECTOR KIT
For All Models SM60R

REF. NO.	PART NO.	QTY.	DESCRIPTION
	82529	2	Front & Rear Kit
1	81775	1	Belting
2	20363	9	Locknut 3/8" - 16 UNC
3	—	18	Flatwasher 3/8"
4	—	9	Capscrew 3/8" - 16 UNC x 1-1/4"



SAFETY CHAIN
For All Models SM60R & SM160R
Note: Will not fit SM60R-01 & SM160R-1
For All Models SM60R

REF. NO.	PART NO.	QTY.	DESCRIPTION
		2	Safety Chain Assembly
1	—	9	Hex Nut 3/8" - 16 UNC
2	—	9	Lockwasher 3/8"
3	—	9	Capscrew 3/8" - 16 x 1"
4	65551	1	Chain Assy., w/out Fasteners
5	51600	2	Cable Clamp
6	65552	1	Wire Rope
7	50020259	55	5 Link Chain



86826 SAFETY CHAIN KITS
 For Models SM60R-1 & SM160R-1,
 SM60R-3 & SM160R03

REF. NO.	PART NO.	QTY.	DESCRIPTION
1	86789	1	Chain Guard
2	86798	1	Chain Rod
3	50020259	48	Chain, 5 Links
4	21020614	2	Cotter Pin 3/16" x 1-1/2"
5	15916	2	Flatwasher 1/2"
6	86812	1	Skid Filler (See Note)
7	44166	2	Clipped Share Bolt
8	—	13	Capscrew 3/8" x 1-1/4" Gr.5
9	—	28	Flatwasher 3/8"
10	—	15	Lockwasher 3/8"
11	—	15	Hex Nut 3/8"

Note: Skid Filler is only used when safety chain kits are used on front & rear to bridge the gap between skid shoes when moved out.



BUSH HOG[®]

2501 Griffin Ave. • Selma, AL 36703
(334) 872-6261 • (334) 874-2700
Parts Ordering 1-800-304-2836
Fax 1-800-572-1784
www.bushhog.com