

BUSH HOG®

LAND MAINTENANCE REPAIR PARTS MANUAL

**MODEL: RZ60
SECTION: 31**



BUSH HOG®

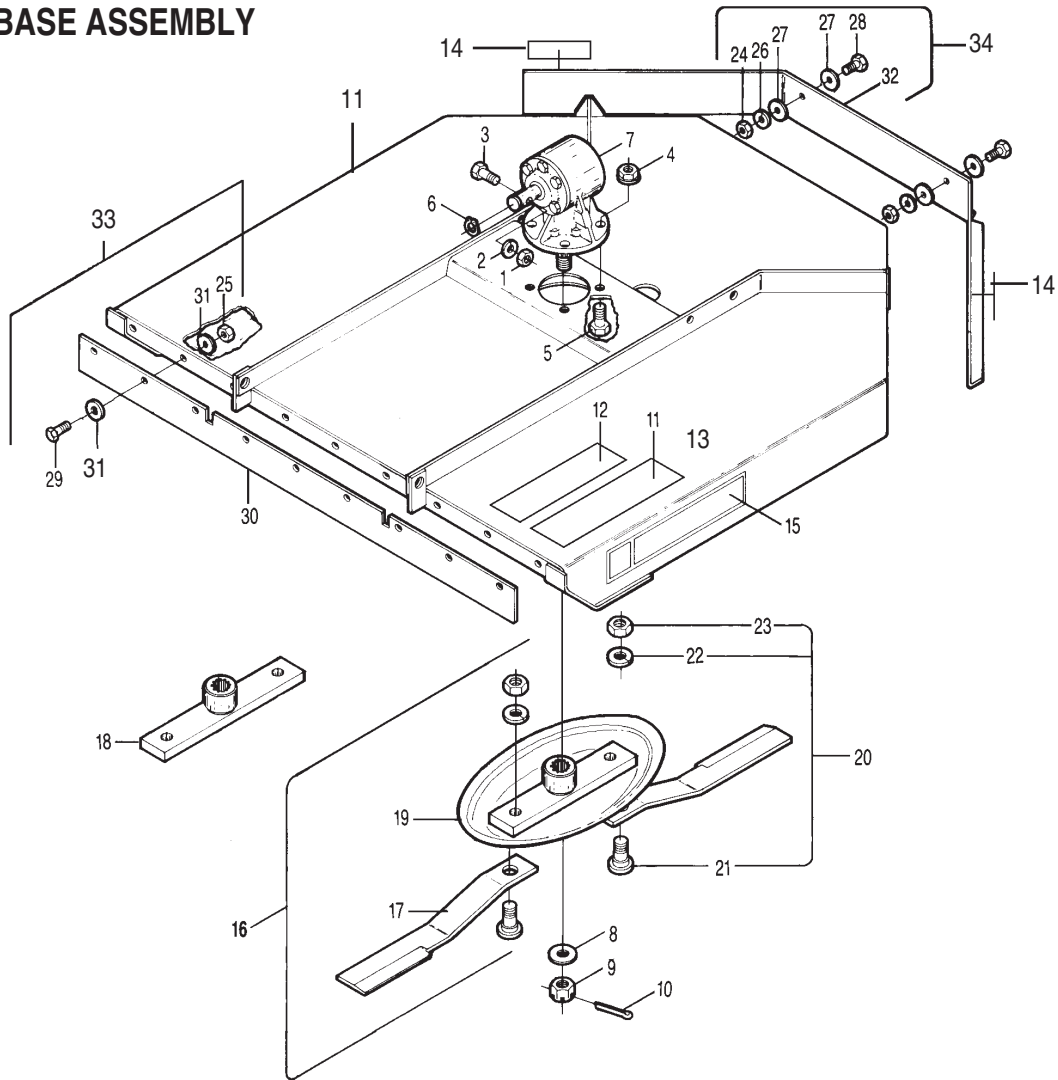
2501 Griffin Ave. • Selma, AL 36703
(334) 872-6261 • (334) 874-2700
Parts Ordering 1-800-304-2836
Fax 1-800-572-1784
www.bushhog.com

RZ60 RAZORBACK

ALPHABETICAL INDEX

CONTENTS	PAGE
"A" Frame Assemblies.....	31-1-8 – 10
Base Assembly.....	31-1-1
Driveshaft Assemblies	31-1-3 – 31-1-6
Gearbox Assembly	31-1-2
Tailwheel Assemblies.....	31-1-8 – 10
Tailwheel Beam.....	31-1-7

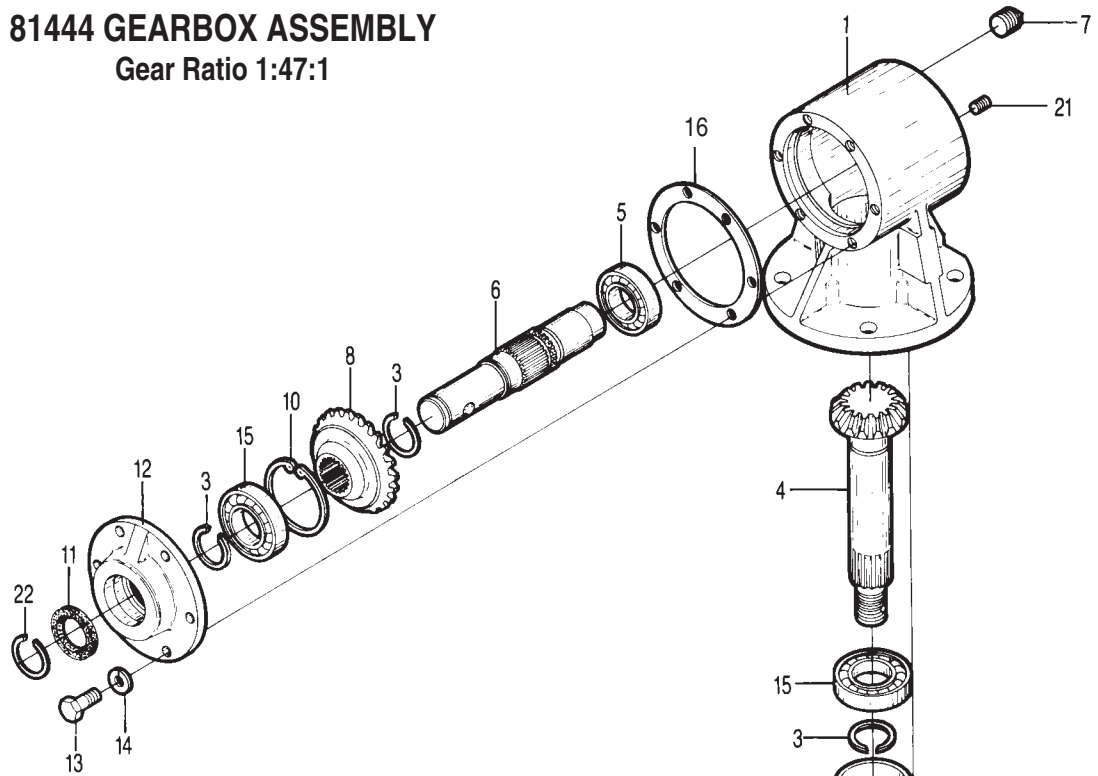
RZ60 BASE ASSEMBLY



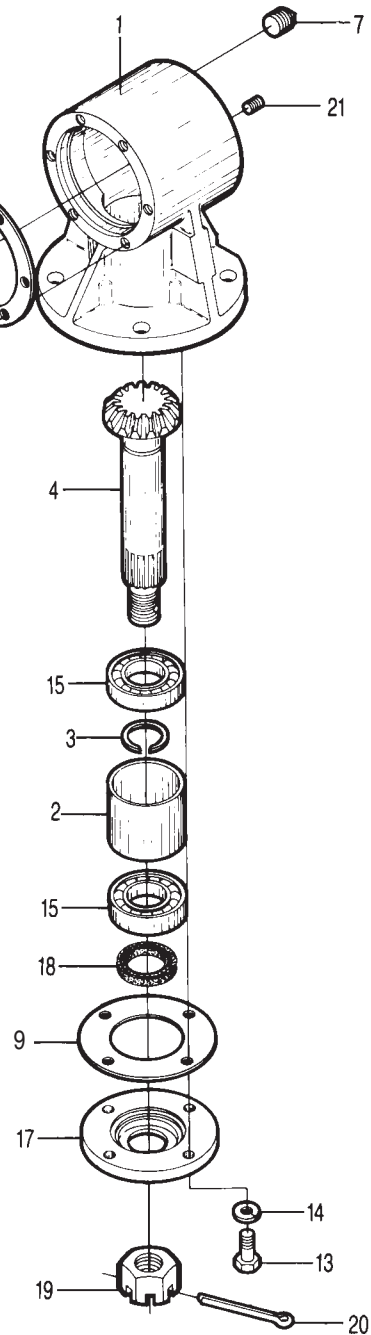
REF. NO.	PART NO.	QTY.	DESCRIPTION
1	—	1	Hex Nut 1/2" – 13 UNC
2	—	1	Lockwasher 1/2"
3	—	1	Capscrew 1/2" – 13 UNC x 3" Gr.2
4	20414	4	Flanged Locknut 5/8" – 11 UNC
5	—	4	Capscrew 5/8" – 11 UNC x 2" Gr.5
6	81445	1	Retaining Ring
7	81444	1	Gearbox Assy.
8	81646	1	Flatwasher
9	81647	1	Hex Nut
10	81648	1	Cotter Pin
11	50055443	1	Deck w/ Decals, Red
	50056624	1	Deck w/ Decals, Orange
	50056625	1	Deck w/ Decals, Green
	50056626	1	Deck w/ Decals, Blue
12	50029417	1	Sheet Decal
13	50029419	1	Sheet Decal
14	50031213	2	Red Reflector
15	50054947	2	Razorback Decal

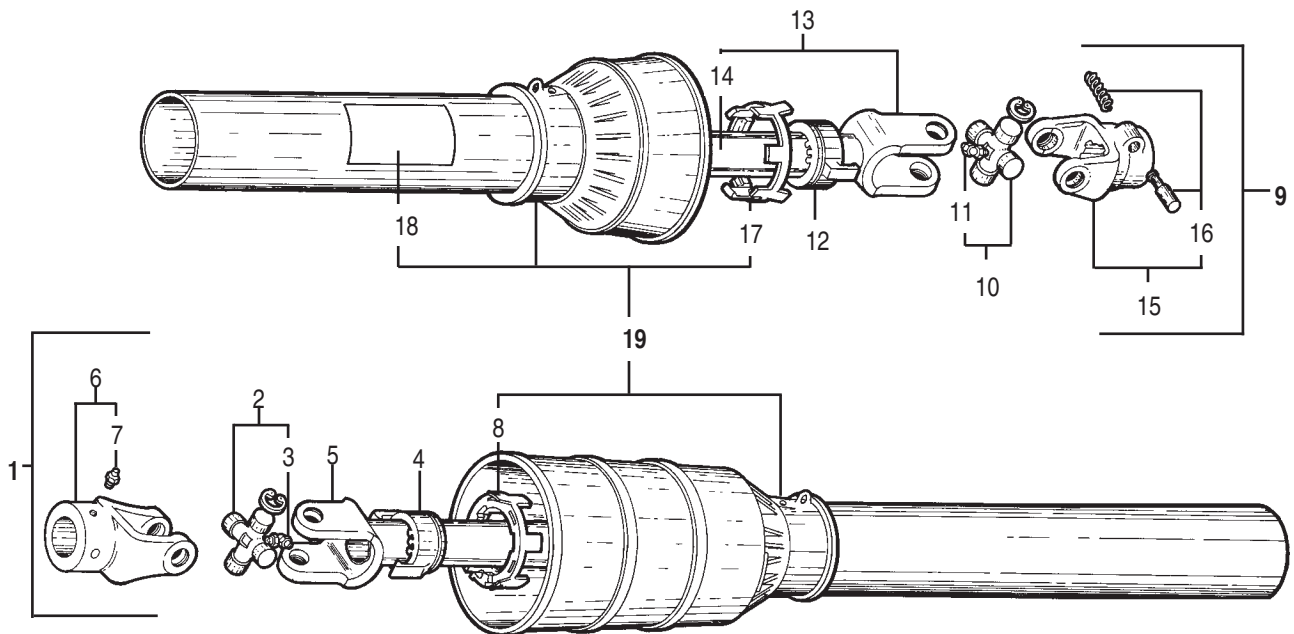
REF. NO.	PART NO.	QTY.	DESCRIPTION
16	—	1	Blade Holder
17	81395	2	Blade
18	50037158	1	Blade Bar
19	50056693	1	Blade Pan Weldment, Black
20	66516	1	Blade Bolt Kit
21	1259	2	Blade Bolt
22	—	2	Lockwasher 7/8"
23	44061	2	Hex Nut 7/8" – 14 UNF
	81695	1	Deflector Kit (Front & Rear)
24	—	6	Hex Nut 3/8" – 16 UNC
25	15602	9	Locknut 5/16" – 18 UNC
26	—	6	Lockwasher 3/8"
27	—	12	Flatwasher 3/8"
28	—	6	Capscrew 3/8" – 16 UNC x 1" Gr.5
29	—	9	Capscrew 5/16" – 18 UNC x 1-1/4" Gr.5
30	82637	1	Front Belting
31	—	18	Flatwasher 5/16"
32	50031229	1	Rear Shield w/ Reflectors
33	82443	1	Front Deflector Kit
34	82444	1	Rear Deflector Kit

81444 GEARBOX ASSEMBLY Gear Ratio 1:47:1



REF. NO.	PART NO.	QTY.	DESCRIPTION
1	81629	1	Housing
2	81630	1	Spacer
3	81631	3	Retaining Ring
4	81632	1	Pinion Ring
5	70229	1	Ball Bearing
6	81634	1	Input Shaft
7	88851	1	Pressure Relief Plug 1/2"
8	81635	1	Gear, 22 Teeth
9	50052055	1	Gasket .50mm
	50052053	1	Gasket .15mm
	50052054	1	Gasket .30mm
10	81637	1	Retaining Ring
11	88879	1	Seal
12	50029491	1	Cap
13	20034	10	Capscrew 3/8" - 16 UNC x 1" Gr.5
14	15812	10	Lockwasher 3/8"
15	70256	3	Ball Bearing
16	50052058	1	Gasket .50mm
	50052056	1	Gasket .15mm
	50052057	1	Gasket .30mm
17	81643	1	Cap
18	81644	1	Seal
19	88873	1	Hex Nut, Slotted 1"
20	81648	1	Cotter Pin
21	69	1	Pipe Plug
22	81445	1	Retaining Ring





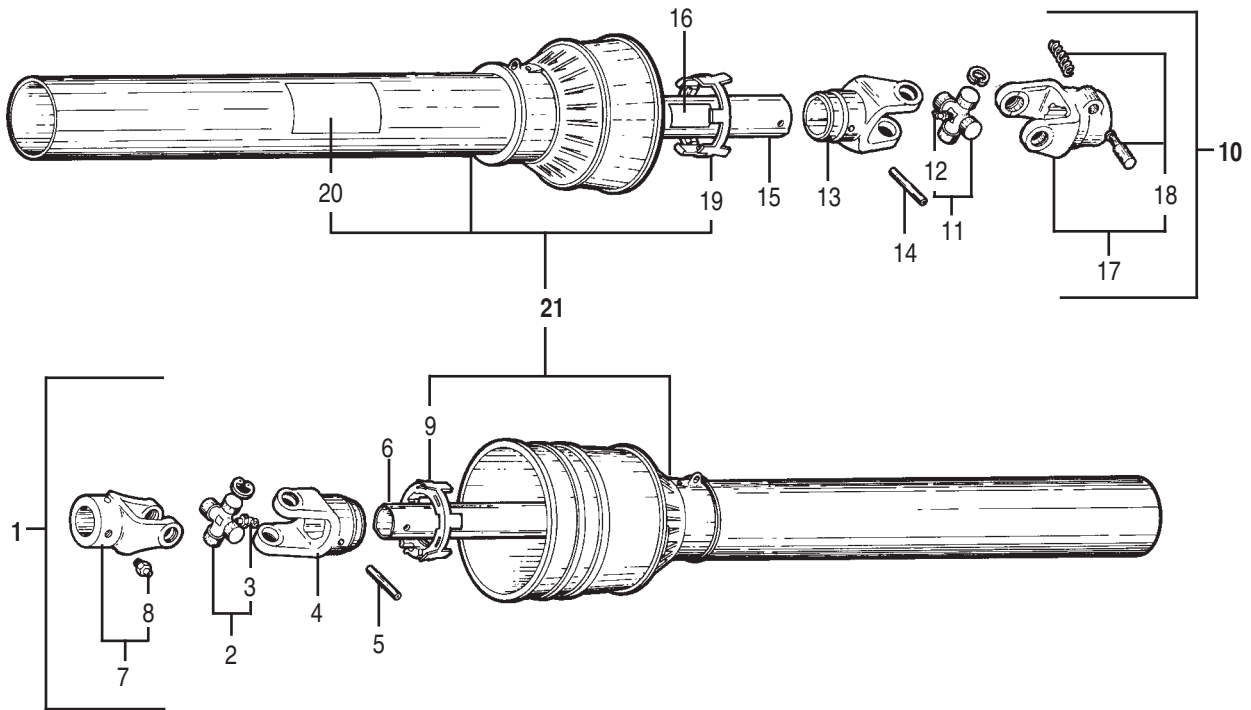
81441 DRIVESHAFT ASSEMBLY

540 RPM

For Model RZ60

**To replace entire driveshaft,
order 76739 Driveshaft Assembly**

REF. NO.	PART NO.	QTY.	DESCRIPTION
1	81446	1	Shielded Inner Half
2	64694	1	Cross Bearing Kit
3	63956	1	Grease Fitting
4	63942	1	Ring for Inner Tube
5	65698	1	Yoke w/ Inner Tube
6	81447	1	Shear Pin Yoke
7	63946	1	Grease Fitting
8	66117	1	Inner Guard Collar Sleeve
9	65693	1	Shielded Outer Half
10	64694	1	Cross Bearing Kit
11	63956	1	Grease Fitting
12	63941	1	Ring for Outer Tube
13	65699	1	Yoke w/ Outer Tube
14	78786	1	Danger Decal
15	64692	1	Q.D. Yoke Assembly
16	63945	1	Q.D. Pin Kit
17	66120	1	Outer Guard Collar Sleeve
18	64571	1	Danger Decal
19	67162	1	Safety Guard



82629 DRIVESHAFT ASSEMBLY

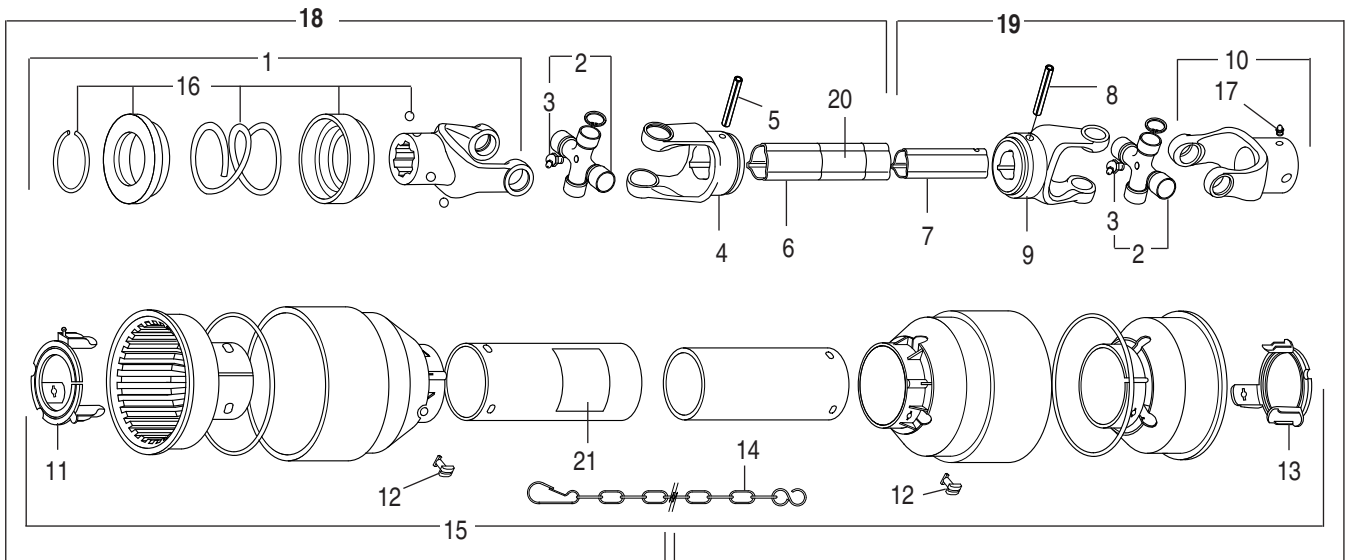
540 RPM

Mfd. by Bondioli & Pavesi

For Model RZ60

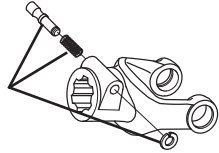
Replaces the 81441 Driveshaft

REF. NO.	PART NO.	QTY.	DESCRIPTION
1	82814	1	Shielded Inner Half
2	64694	1	Cross Bearing Kit
3	63956	1	Grease Fitting
4	78570	1	Yoke for Inner Tube
5	78578	1	Roll Pin
6	82801	1	Inner Tube
7	81447	1	Yoke Assembly
8	63946	1	Grease Fitting
9	66117	1	Inner Guard Bearing
10	82804	1	Shielded Outer Half
11	64694	1	Cross Bearing Kit
12	63956	1	Grease Fitting
13	78571	1	Yoke for Outer Tube
14	78577	1	Roll Pin
15	82800	1	Outer Tube
16	78786	1	Danger Decal
17	64692	1	Q.D. Yoke Assembly
18	63945	1	Q.D. Pin Kit
19	66120	1	Outer Guard Bearing
20	64571	1	Danger Decal
21	82806	1	Safety Guard

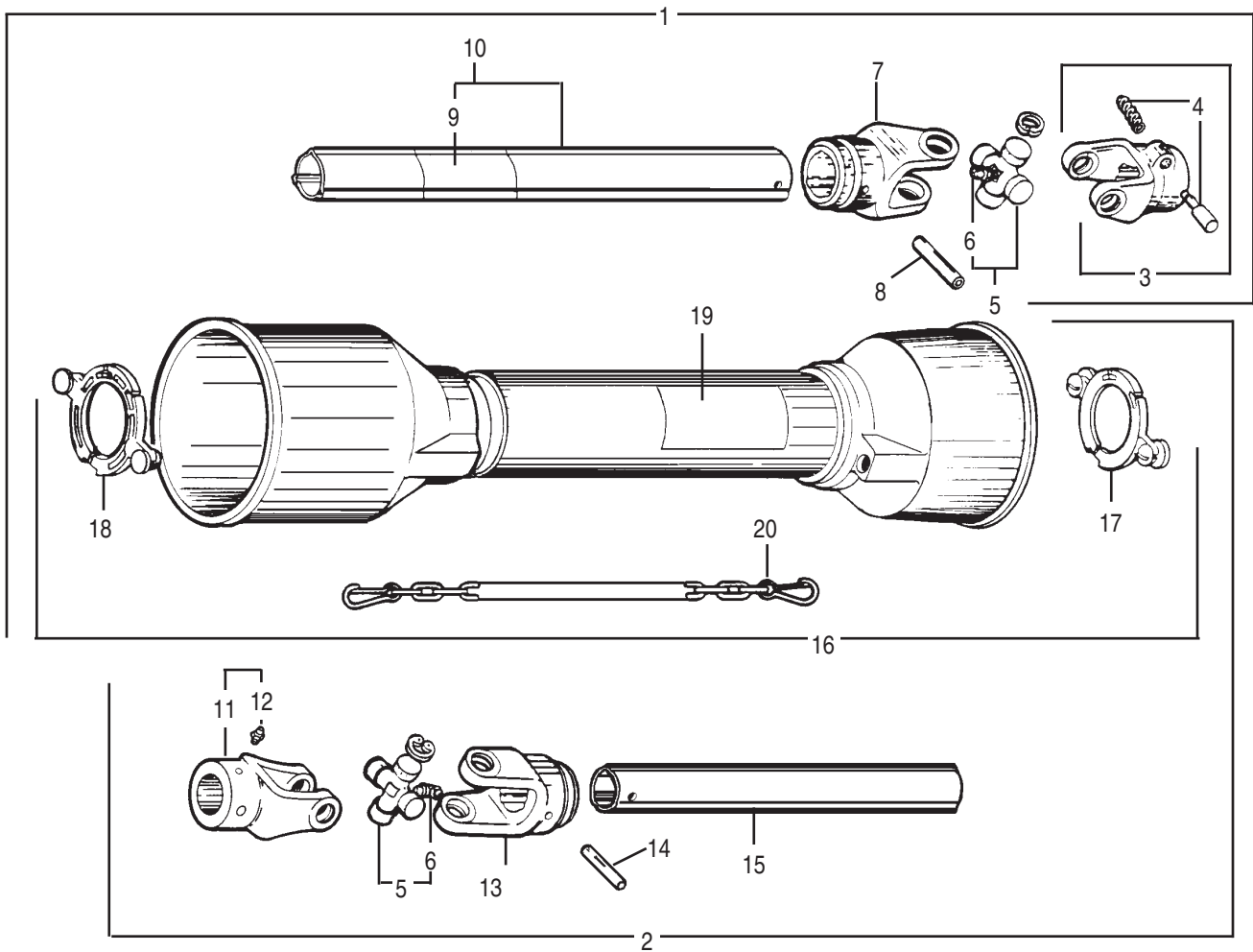


76739 DRIVESHAFT ASSEMBLY
540 RPM
 Mfd. by Comer / EG
 Replaces 92957 Driveshaft

REF. NO.	PART NO.	QTY.	DESCRIPTION
1	76711	1	Ball Collar Yoke
2	64694	2	Cross Journal Set
3	63956	2	Grease Nipple
4	78571	1	Outer Yoke
5	78577	1	Roll Pin for Outer Tube
6	82800	1	Outer Tube
7	82801	1	Inner Tube
8	78578	1	Roll Pin for Inner Tube
9	78570	1	Inner Yoke
10	81447	1	Yoke w/ Grease Nipple
11	76192	1	Guard Retaining Collar, Outer
12	87992	6	Bolt
13	76191	1	Guard Retaining Collar, Inner
14	64814	2	Safety Chain
15	76138	1	Complete Shield w/ Instr.
16	50017480	1	Ball Collar Kit 1-3/8"
17	63946	1	Grease Nipple
18	76808	1	Half Female Shaft w/ Shield
19	76100	1	Half Male Shaft w/ Shield
20	78786	1	Danger Decal, Outer Tube
21	78608	1	Danger Decal, Outer Shield

76062 Push Pin Set 

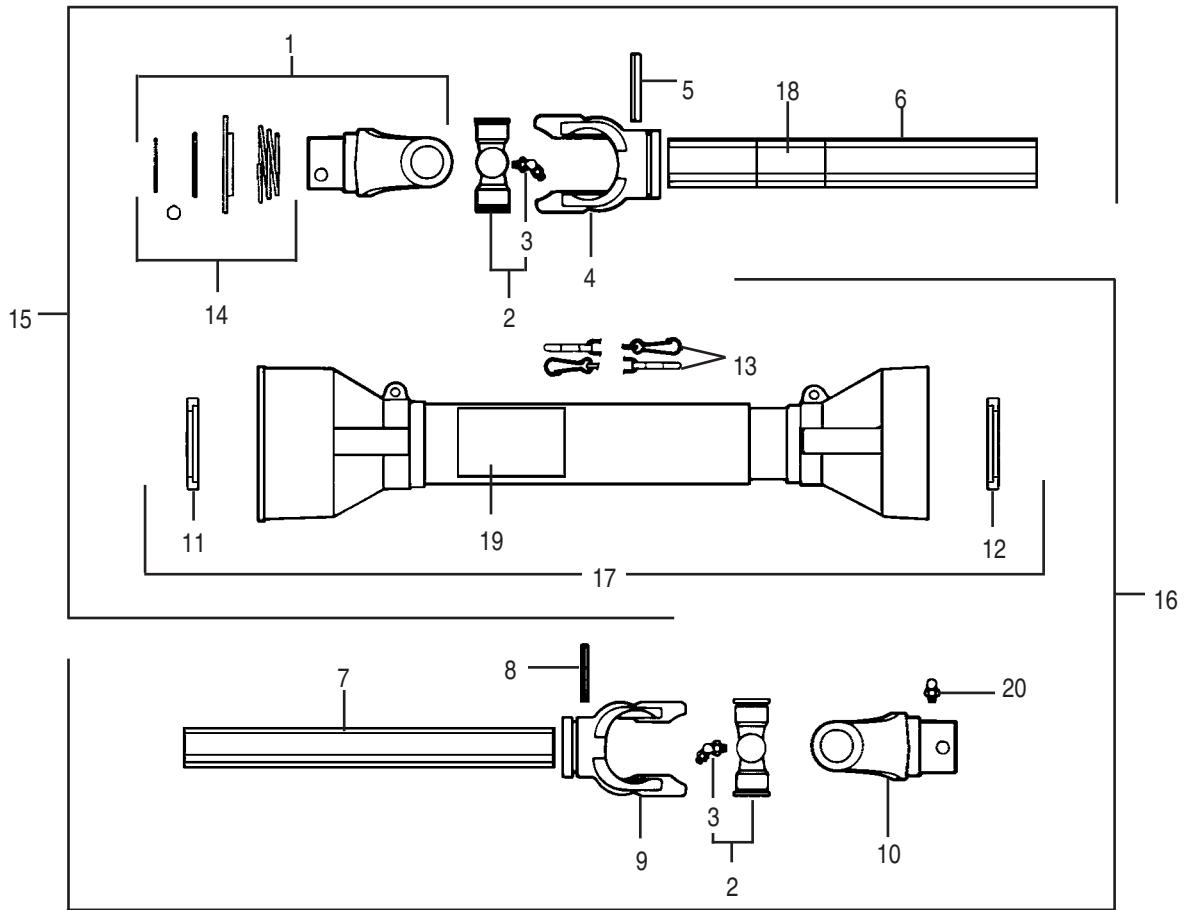
Note: Some early driveshafts were shipped with push pins on the tractor yoke end. Order 76062 push pin set to replace pin. Order 76711 for complete yoke replacement.



98148 INPUT DRIVESHAFT ASSEMBLY

Mfd. by Binacchi
 Replaced by 50034247

REF. NO.	PART NO.	QTY.	DESCRIPTION
1	90010	1	Tractor Half Assy. (Shielded)
2	90022	1	Implement Half Assy. (Shielded)
3	64692	1	Yoke Assy. 1-3/8", 6 Spline
4	63945	1	Q.D. Pin Kit
5	64694	2	Cross Bearing Kit
6	63956	2	Grease Fitting
7	78571	1	Yoke Outer Tube
8	78577	1	Flexible Pin (Outer Tube)
9	78786	1	Danger Decal (Shield Missing)
10	82800	1	Outer Tube
11	81447	1	Implement Yoke
12	63940	1	Grease Fitting
13	78570	1	Yoke, Inner Tube
14	78578	1	Flexible Pin (Inner Tube)
15	82801	1	Inner Tube
16	98145	1	Complete Shield Ass.
17	90008	1	Shield Bearing (Outer)
18	90009	1	Shield Bearing (Inner)
19	78608	1	Danger Decal
20	64814	2	Chain

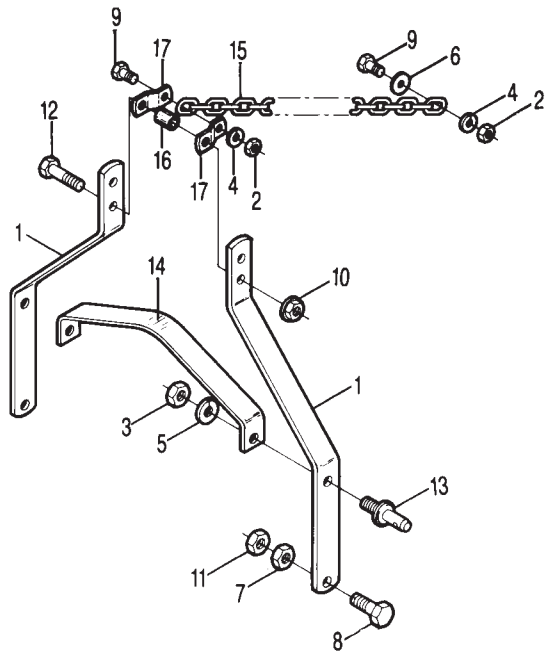


50034247 DRIVESHAFT ASSEMBLY
540 RPM, 1-3/8" – 6 spline, Mfd. by Binacchi
Replaces 98148 Driveshaft

REF. NO.	PART NO.	QTY.	DESCRIPTION
1	50035260	1	Complete Collar Yoke
2	64694	2	Cross Journal Set
3	63956	8	Grease Nipple
4	78571	1	Outer Tube Yoke
5	78577	1	Flexible Pin
6	82800	1	Outer Tube
7	82801	1	Inner Tube
8	78578	1	Flexible Pin
9	78570	1	Inner Tube Yoke
10	81447	1	Outer Yoke
11	90008	1	Outer Bearing
12	50042832	1	Inner Bearing
13	64814	2	Chain
14	50035261	1	Ball Collar Kit
15	50035269	1	Half Shaft, Outer
16	90022	1	Half Shaft, Inner
17	98145	1	Safety Guard
18	78786	1	Danger Decal
19	78608	1	Danger Decal
20	63946	1	Grease Nipple

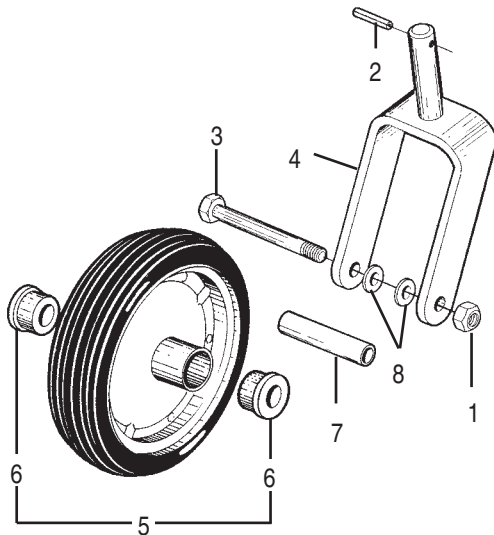
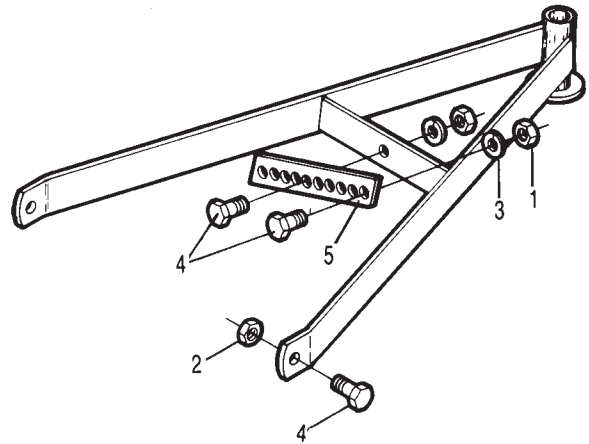
“A” FRAME BUNDLE
Old Style with Chain
Replaced by 95539 Assembly

REF. NO.	PART NO.	QTY.	DESCRIPTION
1	1173	2	Strut
2	—	3	Hex Nut 3/8" – 16 UNC
3	15626	2	Jamnut 7/8" – 14 UNF
4	—	3	Lockwasher 3/8"
5	—	2	Lockwasher 7/8"
6	—	2	Flatwasher 3/8"
7	—	2	Hex Nut 7/8" – 9 UNC
8	—	2	Capscrew 7/8" – 9 UNC x 3" Gr.5
9	—	3	Capscrew 3/8" – 16 UNC x 1-1/2" Gr.5
10	20414	1	Flanged Locknut 5/8" – 11 UNC
11	10152800	2	Jamnut 7/8" – 9 UNC
12	—	1	Capscrew 5/8" – 11 UNC x 3-3/4" Gr.5
13	63765	2	Lift Pin
14	63810	1	Crossbrace
15	81390	2	Lift Chain
16	81392	1	Spacer
17	81654	2	Lift Chain Bracket



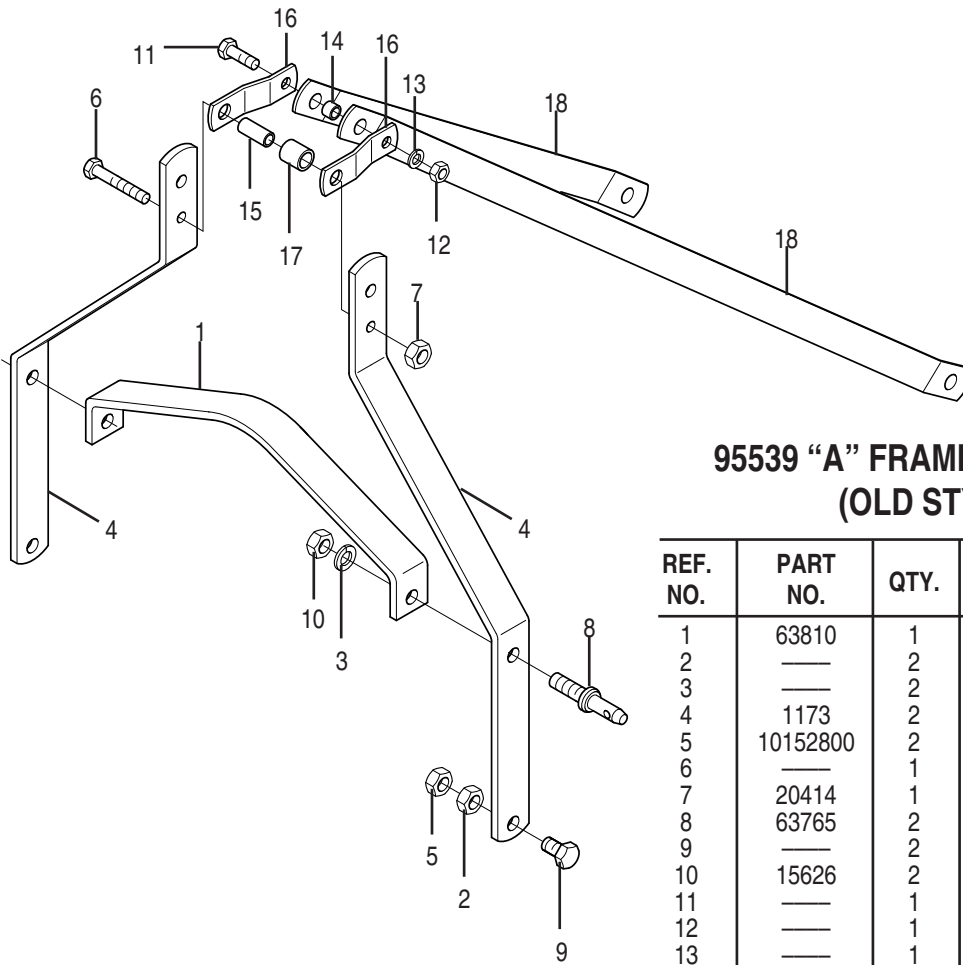
TAILWHEEL BEAM ASSEMBLY
Used on models with chain on “A” Frame
Replaced by 95538 Assembly

REF. NO.	PART NO.	QTY.	DESCRIPTION
1	—	2	Hex Nut 5/8" – 11 UNC
2	15598	2	Locknut 5/8"
3	—	2	Lockwasher 5/8"
4	—	4	Capscrew 5/8" – 11 UNC x 1-1/2" Gr.5
5	81396	1	Tailwheel Link



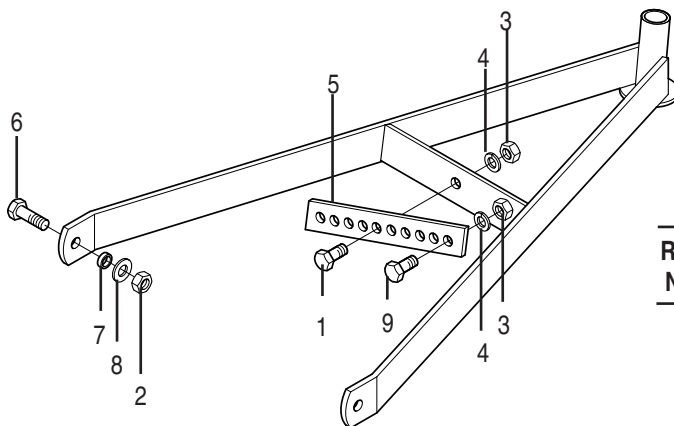
95542 TAILWHEEL ASSEMBLY
Replaces 88652 Assembly

REF. NO.	PART NO.	QTY.	DESCRIPTION
1	20638	1	Locknut 3/4" – 10 UNC
2	20981	1	Roll Pin 1/2" – 1-3/4"
3	20946	1	Capscrew 3/4" x 8" Gr.5
4	99929	1	Fork Weldment
5	81074	1	Wheel Assembly
6	81073	2	Nylon Bushing
7	12263	1	Sleeve
8	50028263	2	Washer



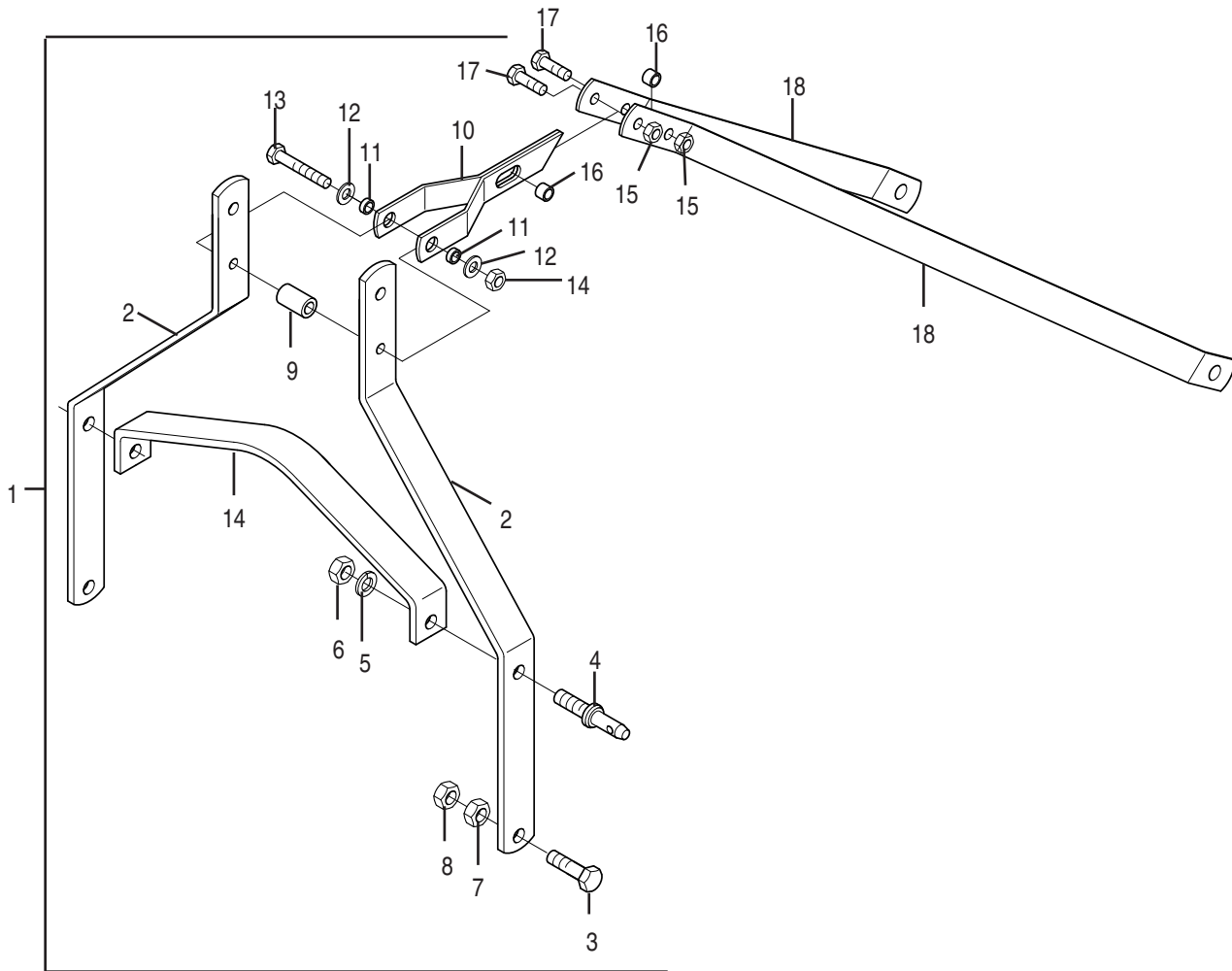
**95539 "A" FRAME ASSEMBLY
(OLD STYLE)**

REF. NO.	PART NO.	QTY.	DESCRIPTION
1	63810	1	Cross Brace
2	—	2	Hex Nut 7/8"
3	—	2	Lockwasher 7/8"
4	1173	2	Strut
5	10152800	2	Jamnut 7/8"
6	—	1	Capscrew 5/8" x 4" Gr.5
7	20414	1	Locknut 5/8"
8	63765	2	Lift Pin
9	—	2	Capscrew 7/8" x 3" Gr.5
10	15626	2	Jamnut 7/8"
11	—	1	Capscrew 5/8" x 2" Gr.5
12	—	1	Hex Nut 5/8"
13	—	1	Lockwasher 5/8"
14	95534	1	Bushing, Flex Link
15	95535	1	Bushing, Top Mast
16	95536	2	Formed Bracket
17	95544	1	Spacer
18	95533	2	Yoke (Not part of 95539 Tailwheel Assembly)



95538 TAILWHEEL ASSEMBLY

REF. NO.	PART NO.	QTY.	DESCRIPTION
1	—	1	Capscrew 5/8" x 1-1/2"
2	15598	2	Locknut 5/8"
3	—	2	Hex Nut 5/8"
4	—	2	Lockwasher 5/8"
5	81396	1	Tailwheel Link
6	—	2	Capscrew 5/8" x 2"
7	95537	2	Bushing, Pivot
8	—	2	Flatwasher 5/8"
9	—	1	Capscrew 5/8" x 1-3/4"



**“A” FRAME ASSEMBLY
(CURRENT STYLE)**

REF. NO.	PART NO.	QTY.	DESCRIPTION
1	50047927	1	“A” Frame Assembly (includes #2-14 and 1 ea. #15-17)
2	50047929	2	Strut, “A” Frame
3	—	2	Capscrew 7/8” x 3”
4	63765	2	Lift Pin, Cat. 1
5	—	2	Lockwasher 7/8”
6	15626	2	Jam Nut 7/8” NF
7	—	2	Hex Nut 7/8”
8	10152800	2	Jam Nut 7/8”
9	50033665	1	Top Bushing, Cat. 1 Quick Hitch
10	50048804	1	Pivot Arm Weldment
11	50048651	2	Spacer
12	—	2	Flatwasher 5/8”
13	—	1	Capscrew 5/8” x 4-3/4”
14	63810	1	Crossbrace
15	15598	3	Lock Nut 5/8”
16	95534	2	Bushing, Flex Link
17	20947	2	Capscrew 5/8” x 2”
18	50047928	2	Yoke



BUSH HOG[®]

2501 Griffin Ave. • Selma, AL 36703
(334) 872-6261 • (334) 874-2700
Parts Ordering 1-800-304-2836
Fax 1-800-572-1784
www.bushhog.com