

BUSH HOG[®]

MATERIAL HANDLING REPAIR PARTS MANUAL

**MODEL: LANDSCAPE TOOLS
SECTION: 9**



BUSH HOG[®]

P.O. Box 1039 • Selma, AL 36702-1039

(334) 872-6261 • (334) 874-2700

Parts Ordering 1-800-304-2836

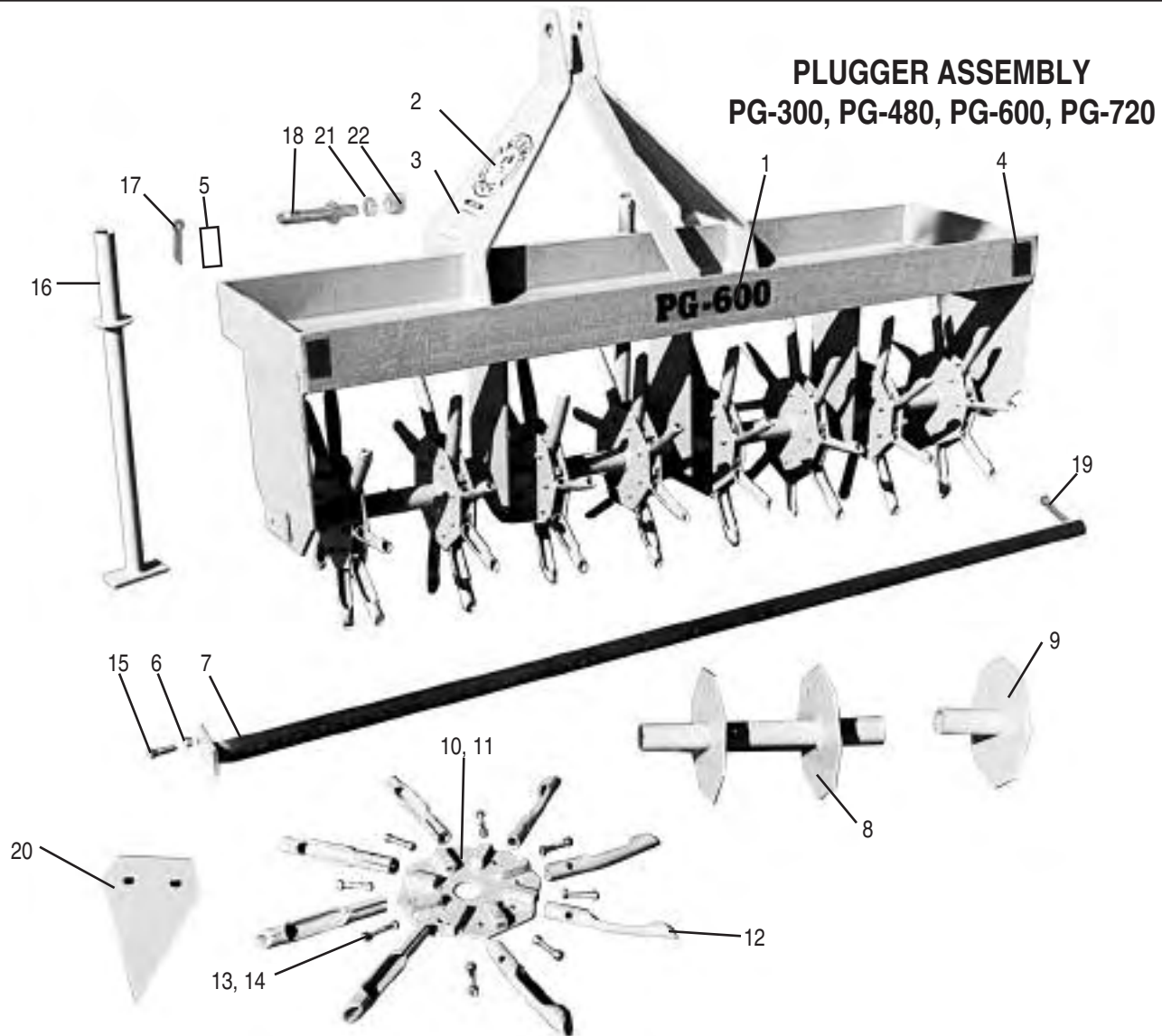
Fax 1-800-572-1784

www.bushhog.com

LANDSCAPE TOOLS

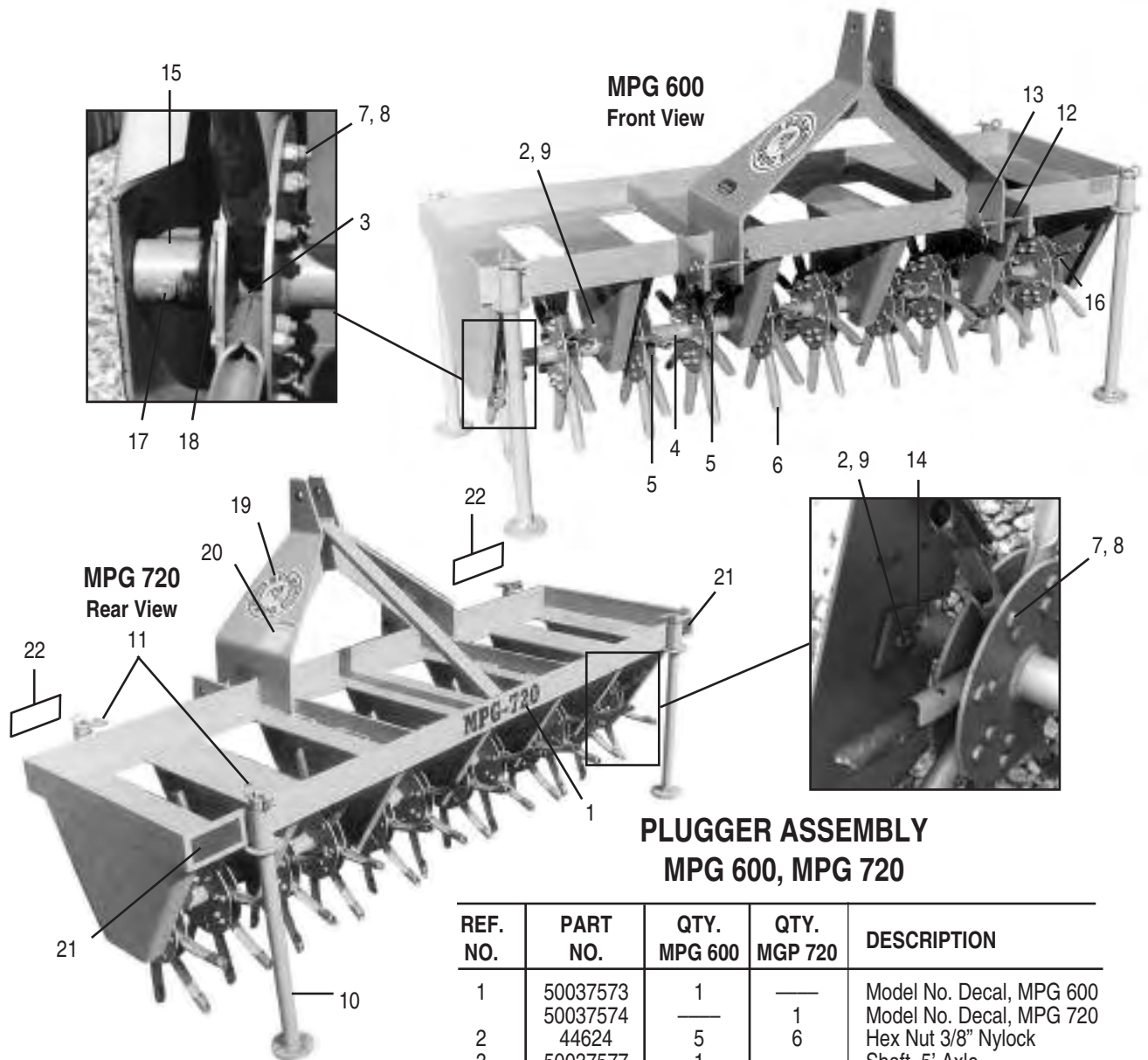
TABLE OF CONTENTS

CONTENTS	PAGE
Pluggers	9-1-1, 9-1-2
Pulverizers	9-1-3



PLUGGER ASSEMBLY
PG-300, PG-480, PG-600, PG-720

REF. NO.	PART NO.				QTY.				DESCRIPTION
	PG-300	PG-480	PG-600	PG-720	PG-300	PG-480	PG-600	PG-720	
1	95088	95089	95090	95091	1	1	1	1	Model No. Decal
2		25H46298					2		Bush Hog Decal
3		89141					1		Caution Decal
4		53316					2		Red Reflector Decal
5		53315					2		Amber Reflector Decal
6		20363					1		LockNut 3/8"
7	95128	95129	95130	95131	1	1	1	1	Axle Shaft
8		95132			2	3	4	4	Hub, Double
9		95136						1	Hub, Single
10		95133			2	3	4	5	Hub, Plate L.H.
11		95134			2	3	4	5	Hub, Plate R.H.
12		50037581			32	48	64	80	Spoon
13		20012			32	48	64	80	Capscrew 5/16" x 1 3/4" Gr. 5
14		15602			32	48	64	80	LockNut 5/16"
15		20881					1		Capscrew 3/8" x 1 1/2" Gr.5
16		95137					1		Stand
17		50039221					1		Cotter Pin 3/16" x 3-1/2"
18		63765					2		Lift Pin
19		20373					1		Cptter Pin 1/8" x 2"
20		95159			16	24	32	40	Slicing Knife (Option)
21		15824					2		Lockwasher 7/8"
22		44061					2		Hex Nut 7/8"

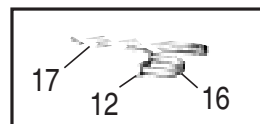
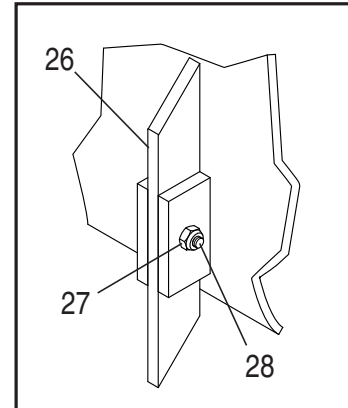
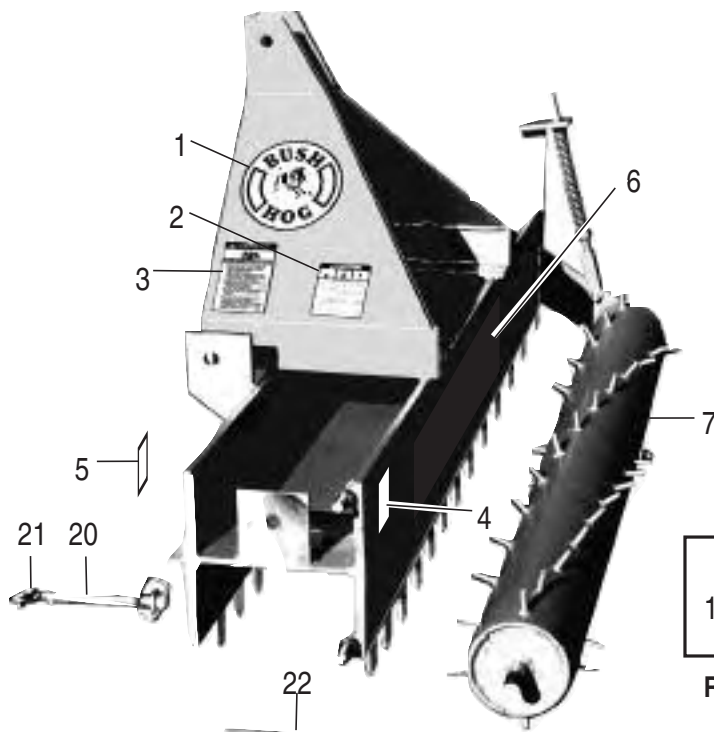


**PLUGGER ASSEMBLY
MPG 600, MPG 720**

REF. NO.	PART NO.	QTY. MPG 600	QTY. MGP 720	DESCRIPTION
1	50037573 50037574	1 —	— 1	Model No. Decal, MPG 600 Model No. Decal, MPG 720
2	44624	5	6	Hex Nut 3/8" Nylock
3	50037577	1	—	Shaft, 5' Axle
	50037578	—	1	Shaft, 6' Axle
4	50037579	5	6	Hub, Double
5	50037580	10	12	Hub Plate
6	50037581	80	96	Spoon, 2 Hole
7	—	160	192	Capscrew 5/16" x 1-3/4" G5
8	44553	160	192	Hex Nut 5/16" Nylock
9	01161212	4	5	Capscrew 3/8" x 1-1/4", G5
10	50037582	4	4	Stand
11	50039221	4	4	Cotter Pin 3/16" x 3-1/2"
	95121	2	2	Pull Pin
13	50005860	1	2	Hair Pin .148
14	50037583	4	5	Center Shaft Support
15	50037584	1	1	Shaft Bushing End
16	50037585	1	1	Drilled Shaft Bushing End
17	—	1	1	Capscrew 3/8" x 3" G5
18	—	10	12	Flatwasher 1-1/4"
19	24H46298	2	2	Bush Hog Decal
20	89141	1	1	Caution Decal
21	50031213	2	2	Reflector, Red
22	53315	2	2	Reflector, Amber
23	95159	40	48	Slicing Knife (Optional)

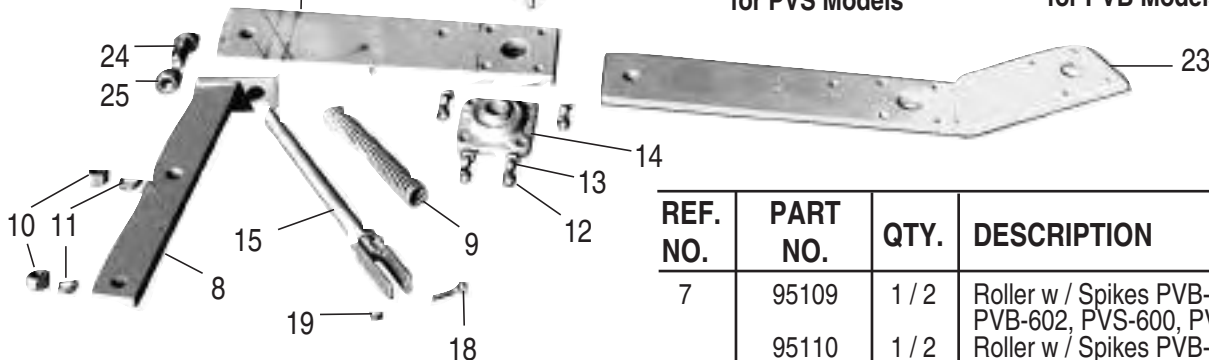
PULVERIZER ASSEMBLY

PVB-600,PVB-602,PVB-660,PVB-662,
 PVB-720, PVB-722, PVB-840, PVB-842
 PVS-600,PVS-602,PVS-660,PVS-662,
 PVS-720, PVS-722, PVS-840, PVS-842



Replacement Spike
for PVS Models

Replacement Shank
for PVB Models



REF. NO.	PART NO.	QTY.	DESCRIPTION
1	25H46298	2	Bush Hog Decal
2	89141	1	Caution Decal
3	90959	1	Warning Decal
4	53316	2	Red Reflector
5	53315	2	Amber Reflector
6	50023240	1	Model No. Decal PVB-600
	50023241	1	Model No. Decal PVB-602
	50023242	1	Model No. Decal PVB-660
	50023243	1	Model No. Decal PVB-662
	50023244	1	Model No. Decal PVB-720
	50023245	1	Model No. Decal PVB-722
	50023246	1	Model No. Decal PVB-840
	50023247	1	Model No. Decal PVB-842
	50023248	1	Model No. Decal PVS-600
	50023249	1	Model No. Decal PVS-602
	50023250	1	Model No. Decal PVS-660
	50023251	1	Model No. Decal PVS-662
	50023252	1	Model No. Decal PVS-720
	50023253	1	Model No. Decal PVS-722
	50023254	1	Model No. Decal PVS-840
	50023255	1	Model No. Decal PVS-842

REF. NO.	PART NO.	QTY.	DESCRIPTION
7	95109	1 / 2	Roller w / Spikes PVB-600, PVB-602, PVS-600, PVS-602
	95110	1 / 2	Roller w / Spikes PVB-660, PVB-662, PVS-660, PVS-662
	95111	1 / 2	Roller w / Spikes PVB-720, PVB-722, PVS-720, PVS-722
	95112	1 / 2	Roller w / Spikes PVB-840, PVB-842, PVS-840, PVS-842
8	95114	1	Spring Arm L.H.
	95115	1	Spring Arm R.H.
9	95116	2	Spring
10	—	8	Hex Nut 5/8"
11	—	4	Lockwasher 5/8"
12	9151400	A/R	Locknut 7/16"
13	—	8	Capscrew 7/16" x 1 3/4" Gr.5
14	95117	2 / 4	Bearing Assy.
15	95118	2	Spring Rod Assy.
16	95119	A/R	"V" Bolt
17	95120	A/R	Spike
18	—	2	Capscrew 3/8" x 1 3/4" Gr.5
19	20363	2	Locknut 3/8"
20	95121	2	Pull Pin
21	2850005	2	Lynch Pin
22	95122	2	Bearing Arm - Single Roller
23	95123	2	Bearing Arm - Double Roller
24	—	2	Capscrew 3/4" x 2" Gr.5
25	—	2	Locknut 3/4"
26	50017179	A/R	Spike
27	15554	A/R	Locknut 1/2"
28	—	A/R	Capscrew 1/2" x 2-1/2" Gr.5



BUSH HOG[®]

2501 GRIFFIN AVE. • SELMA, AL 36703
(334) 872-6261 • (334) 874-2700
PARTS ORDERING 1-800-304-2836
FAX 1-800-572-1784
WWW.BUSHHOG.COM