

# PA8, PA10

## BUSH HOG®

## PASTURE AERATOR

PUBLISHED 09/14

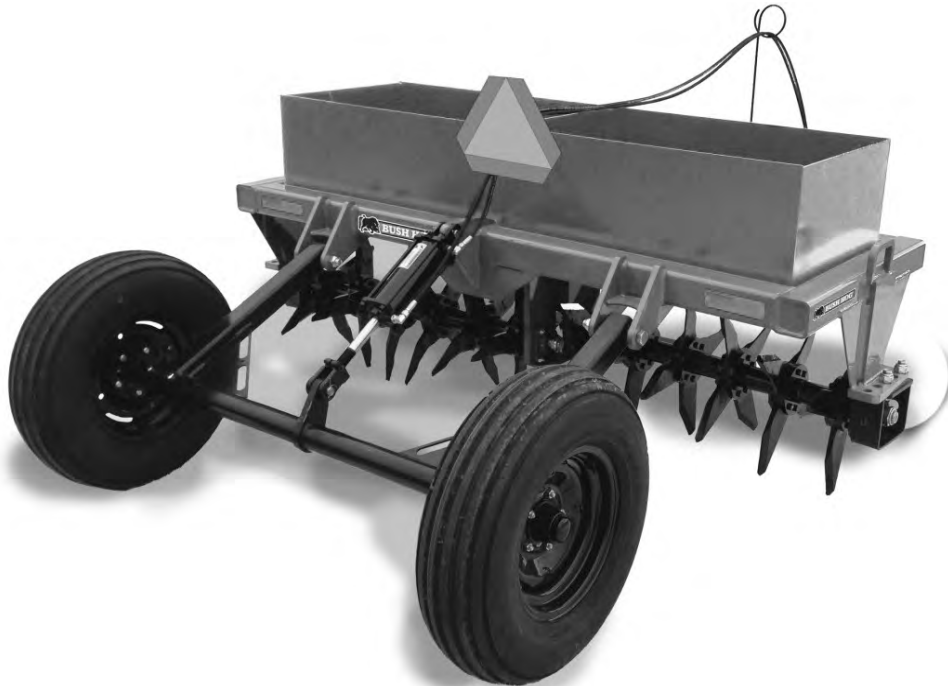
MATERIAL HANDLING PARTS MANUAL

# PARTS MANUAL

## SECTION 41



An Operator's Manual was shipped with the equipment . The Operator's Manual is an integral part of the safe operation of this machine and must be maintained with the unit at all times. **READ, UNDERSTAND, and FOLLOW** the Safety and Operation Instructions contained in this manual before operating the equipment. If the Operator's Manual is not with the equipment, contact your dealer or Bush Hog to obtain a Free copy before operating the equipment.



**BUSH HOG®**

2501 Griffin Ave.

Selma, AL 36703

334-874-2700

[www.bushhog.com](http://www.bushhog.com)



©2011 Alamo Group Inc.



## PARTS ORDERING GUIDE

The following instructions are offered to help eliminate needless delay and error in processing purchase orders for the equipment in this section.

1. The Parts Section is prepared in logical sequence and grouping of parts that belong to the basic machine featured in this manual. Part Numbers and Descriptions are given to help locate the parts and quantities required.
2. The Purchase Order must include the name and address of the person or organization ordering the parts, who should be charged, and if possible, the serial number of the machine for which the parts are ordered.
3. The Purchase Order must clearly list the quantity of each part, the complete and correct part number (be sure to include all periods), and the basic name of the part.
4. The Manufacturer reserves the right to substitute parts where applicable.
5. Some parts are unlisted items which are special production items not normally stocked and are subject to special handling. Request a quotation for such parts before sending a Purchase Order.
6. The Manufacturer reserves the right to change prices without prior notice.



For maximum safety and to guarantee optimum product reliability, always use genuine BUSH HOG Parts. The use of inferior replacement parts may cause premature or catastrophic failure which could result in serious injury or death. Direct any questions regarding parts to:

**BUSH HOG**  
2501 Griffin Ave.  
Selma, AL 36703  
[www.bushhog.com](http://www.bushhog.com)  
Contact Us  
800-304-2836



**BUSH HOG®**

# LIMITED WARRANTY

Bush Hog warrants to the original purchaser of any new Bush Hog equipment, purchased from an authorized Bush Hog dealer, that the equipment be free from defects in material and workmanship for a period of one (1) year for non-commercial, state and municipalities' use and ninety (90) days for commercial use from date of retail sale. The obligation of Bush Hog to the purchaser under this warranty is limited to the repair or replacement of defective parts.

Replacement or repair parts installed in the equipment covered by this limited warranty are warranted for ninety (90) days from the date of purchase of such part or to the expiration of the applicable new equipment warranty period, whichever occurs later. Warranted parts shall be provided at no cost to the user at an authorized Bush Hog dealer during regular working hours. Bush Hog reserves the right to inspect any equipment or parts which are claimed to have been defective in material or workmanship.

## DISCLAIMER OF IMPLIED WARRANTIES & CONSEQUENTIAL DAMAGES

Bush Hog's obligation under this limited warranty, to the extent allowed by law, is in lieu of all warranties, implied or expressed, **INCLUDING IMPLIED WARRANTIES OF MERCHANTABILITY AND FITNESS FOR A PARTICULAR PURPOSE** and any liability for incidental and consequential damages with respect to the sale or use of the items warranted. Such incidental and consequential damages shall include but not be limited to: transportation charges other than normal freight charges; cost of installation other than cost approved by Bush Hog; duty; taxes; charges for normal service or adjustment; loss of crops or any other loss of income; rental of substitute equipment, expenses due to loss, damage, detention or delay in the delivery of equipment or parts resulting from acts beyond the control of Bush Hog.

### THIS LIMITED WARRANTY SHALL NOT APPLY:

1. To vendor items which carry their own warranties, such as engines, tires, and tubes.
2. If the unit has been subjected to misapplication, abuse, misuse, negligence, fire or other accident.
3. If parts not made or supplied by Bush Hog have been used in connection with the unit, if, in the sole judgement of Bush Hog such use affects its performance, stability or reliability.
4. If the unit has been altered or repaired outside of an authorized Bush Hog dealership in a manner which, in the sole judgement of Bush Hog, affects its performance, stability or reliability.
5. To normal maintenance service and normal replacement items such as gearbox lubricant, hydraulic fluid, worn blades, or to normal deterioration of such things as belts and exterior finish due to use or exposure.
6. To expendable or wear items such as teeth, chains, sprockets, belts, springs and any other items that in the company's sole judgement is a wear item.

NO EMPLOYEE OR REPRESENTATIVE OF BUSH HOG IS AUTHORIZED TO CHANGE THIS LIMITED WARRANTY IN ANY WAY OR GRANT ANY OTHER WARRANTY UNLESS SUCH CHANGE IS MADE IN WRITING AND SIGNED BY BUSH HOG'S SERVICE MANAGER, 2501 GRIFFIN AVE., SELMA, ALABAMA 36703.

Record the model number, serial number and date purchased. This information will be helpful to your dealer if parts or service are required.

MODEL NUMBER \_\_\_\_\_

SERIAL NUMBER \_\_\_\_\_

DATE OF RETAIL SALE \_\_\_\_\_

MAKE CERTAIN THE WARRANTY  
HAS BEEN FILED WITH BUSH HOG  
SELMA, ALABAMA

# TABLE OF CONTENTS

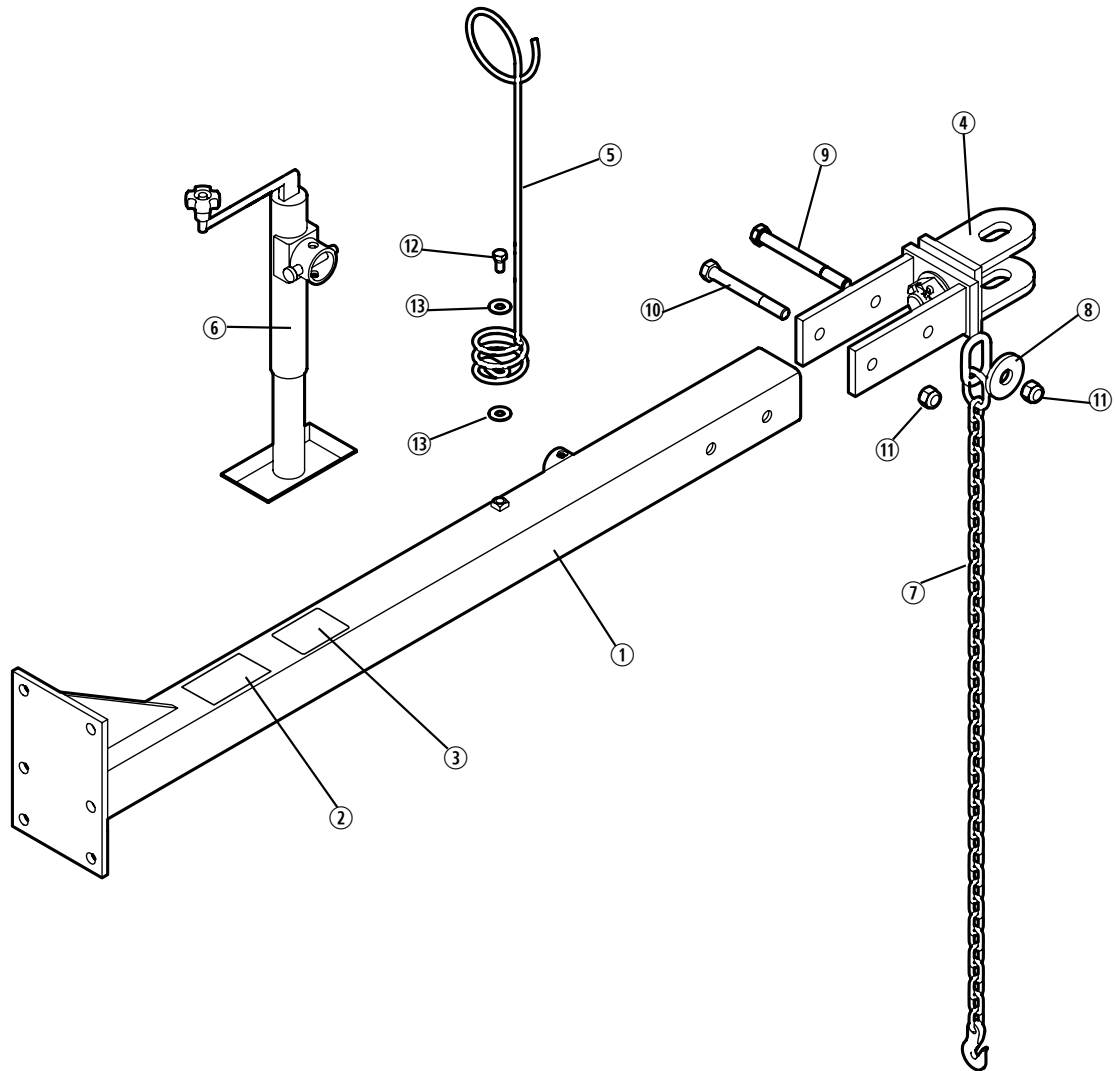
## PASTURE AERATOR

### PA8 and PA10

---

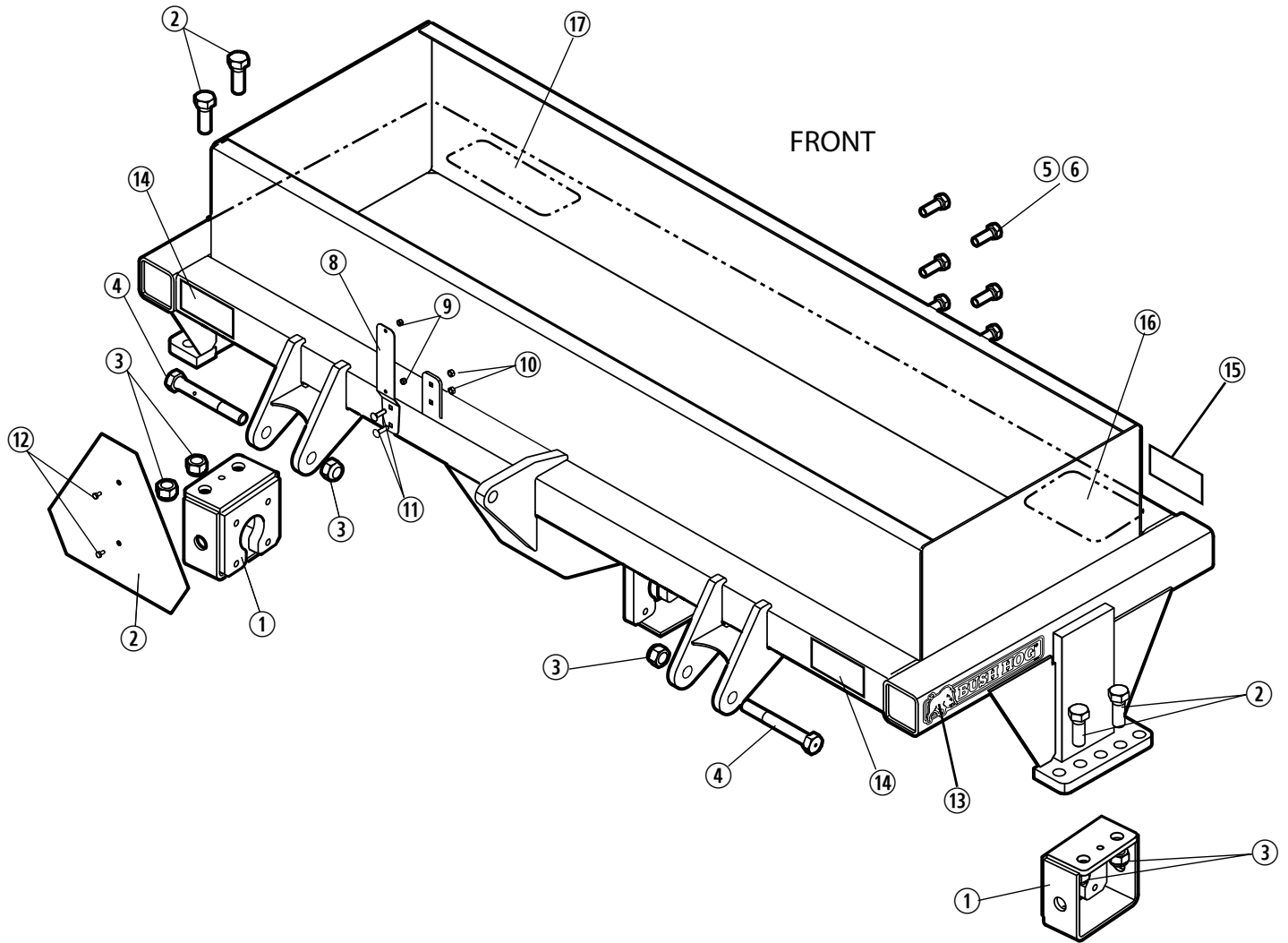
<b>COMPONENT</b>	<b>PAGE</b>
TONGUE and RELATED PARTS.....	41-1-1
MAINFRAME and RELATED PARTS .....	41-1-2
REAR AXLE and RELATED PARTS.....	41-1-3
AERATOR AXLES and RELATED PARTS .....	41-1-4

## PA8, PA10 AERATOR TONGUE and RELATED PARTS



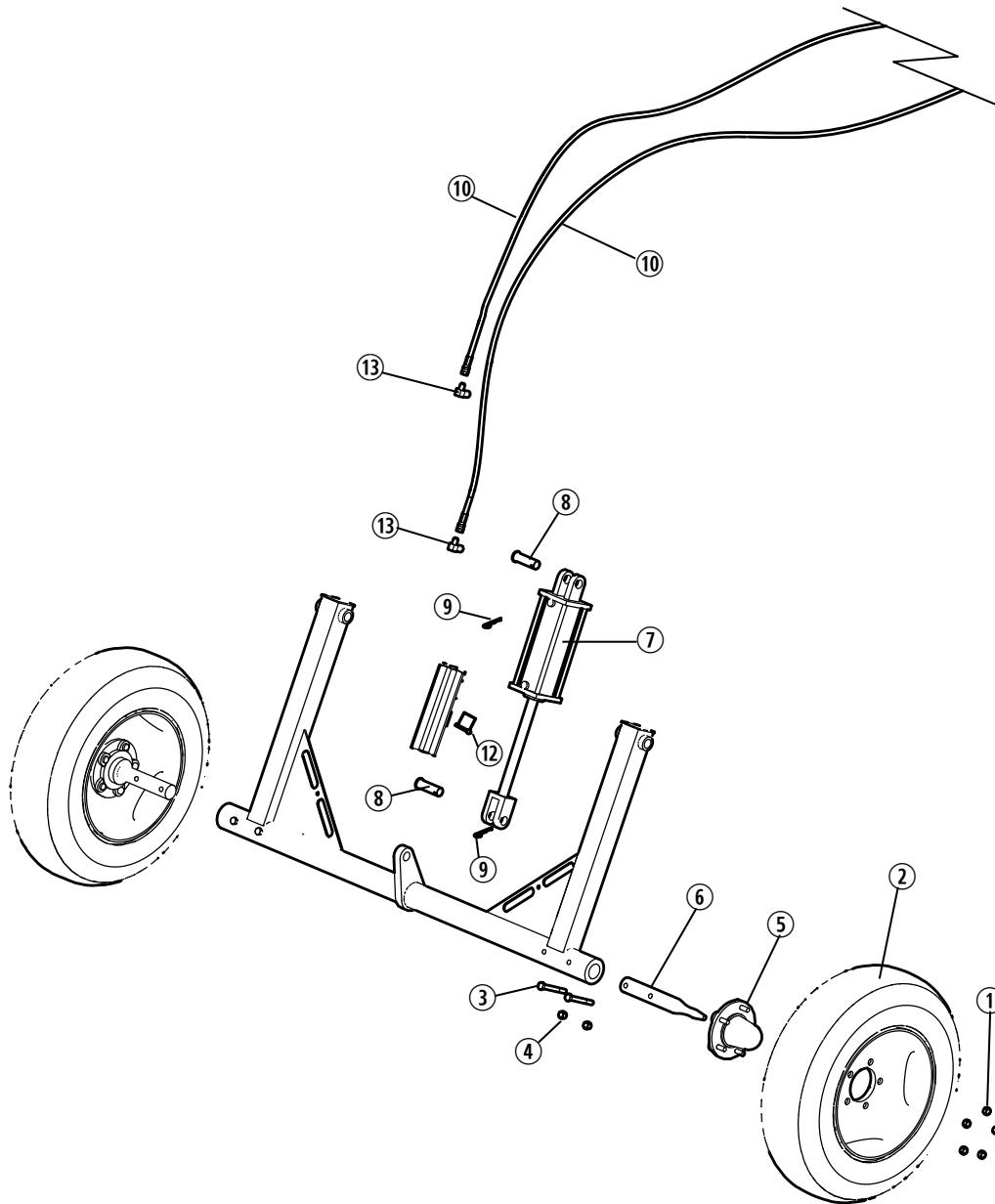
Ref. No.	Part No.	Description	Qty. Req'd.	Notes
1	50074756	Tongue w/ Decals	1	
2	50057097	Caution Decal	1	
3	90960BH	Warning Decal	1	
4	50072334	Hitch Assembly	1	
5	50072284	Hose Holder	1	
6	50072285	Jackstand Assembly	1	
7	91091	Chain, Safety Tow	1	
8	50072281	Washer	1	
9	20766	Capscrew 3/4" x 7-1/2" Gr.5	1	
10	19027	Capscrew 3/4" x 6-1/2" Gr.5	1	
11	-----	Locknut 3/4"	2	
12	20054	Capscrew 1/2" x 1" Gr.5	1	
13	-----	Flatwasher 1/2"	2	

## PA8, PA10 AERATOR MAINFRAME and RELATED PARTS



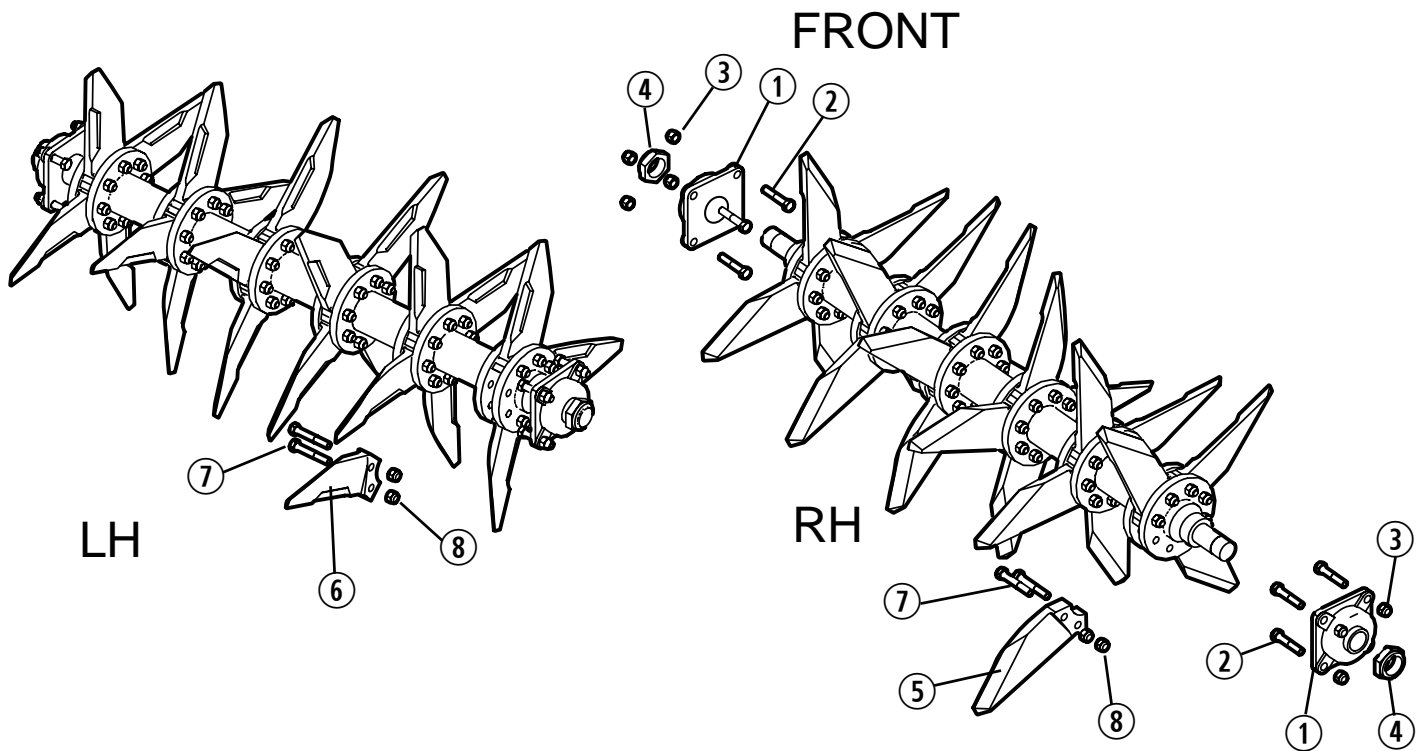
Ref. No.	Part No.	Description	Qty. Req'd.	Notes
1	50074291	Bearing Housing	2	
2	20103	Capscrew 1" x 3" Gr.5	4	
3	50072278	Locknut 1"	6	
4	20860	Capscrew 1' x 7-1/2" Gr.5	2	
5	45321BH	Locknut 3/4"	6	
6	20202	Capscrew 3/4" x 2" Gr.5	6	
7	94359	SMV Sign	1	
8	2438621	Bracket SMV Mount	1	
9	44566	Locknut 1/4"	2	
10	44553	Locknut 5/16"	2	
11	5131012	Carriage Bolt 5/16" x 1-1/4"	2	
12	20009	Capscrew 1/4" x 1/2"	2	
13	50065309	Bush Hog Decal	2	
14	50031213	Red Reflector	2	
15	50031212	Amber Reflector	2	
16	00725746	Peligro Decal	1	
17	50074295	Model Decal PA8	1	
	50074298	Model Decal PA10	1	

## PA8, PA10 AERATOR REAR AXLE and RELATED PARTS



Ref. No.	Part No.	Description	Qty. Req'd.	Notes
1	50072291	Lug Nut 1/2"-20	10	
2	50072290	Wheel and Tire Assembly	2	
3	20071	Capscrew 1/2" x 4"	4	
4	44539BH	Locknut 1/2"	4	
5	50072288	Hub Assembly	2	
6	50072289	Spindle	2	
7	50047475	Hydraulic Cylinder Assy.	1	
	50017623	Seal Kit for 50047475	1	
8	99334	Cylinder Pin 1" x 3-1/2"	2	
9	50005860	Hair Pin .148	2	
10	25G12874	Hydraulic Hose .25" SAE x 174"	2	
11	50074294	Cylinder Lock	1	
12	50074300	Lock Pin	1	
13	14-40-98	90° Hydraulic Fitting	2	

## PA8, PA10 AERATOR AERATOR AXLES and RELATED PARTS



Ref. No.	Part No.	Description	Qty. Req'd.	Notes
1	50074290	Bearing Assembly	4	
2	19065	Capscrew 1/2" x 2-1/2" Gr.5	16	
3	44539BH	Locknut 1/2"	16	
4	50074314	Jamnut, Locknut 1-1/2"	4	
5	50074293	Tooth Right Side	24	PA8 models
			32	PA10 Models
6	50074292	Tooth Left Side	24	PA8 Models
			32	PA10 Models
7	20864	Capscrew 1/2" x 3" Gr.5	96	PA8 Models
			128	PA10 Models
8	44539BH	Locknut 1/2"	96	PA8 Models
			128	PA10 Models







**BUSH HOG®**

2501 GRIFFIN AVE. • SELMA, AL 36703

(334) 872-6261 • (334) 874-2700

PARTS ORDERING 1-800-304-2836

FAX 1-800-572-1784

[WWW.BUSHHOG.COM](http://WWW.BUSHHOG.COM)