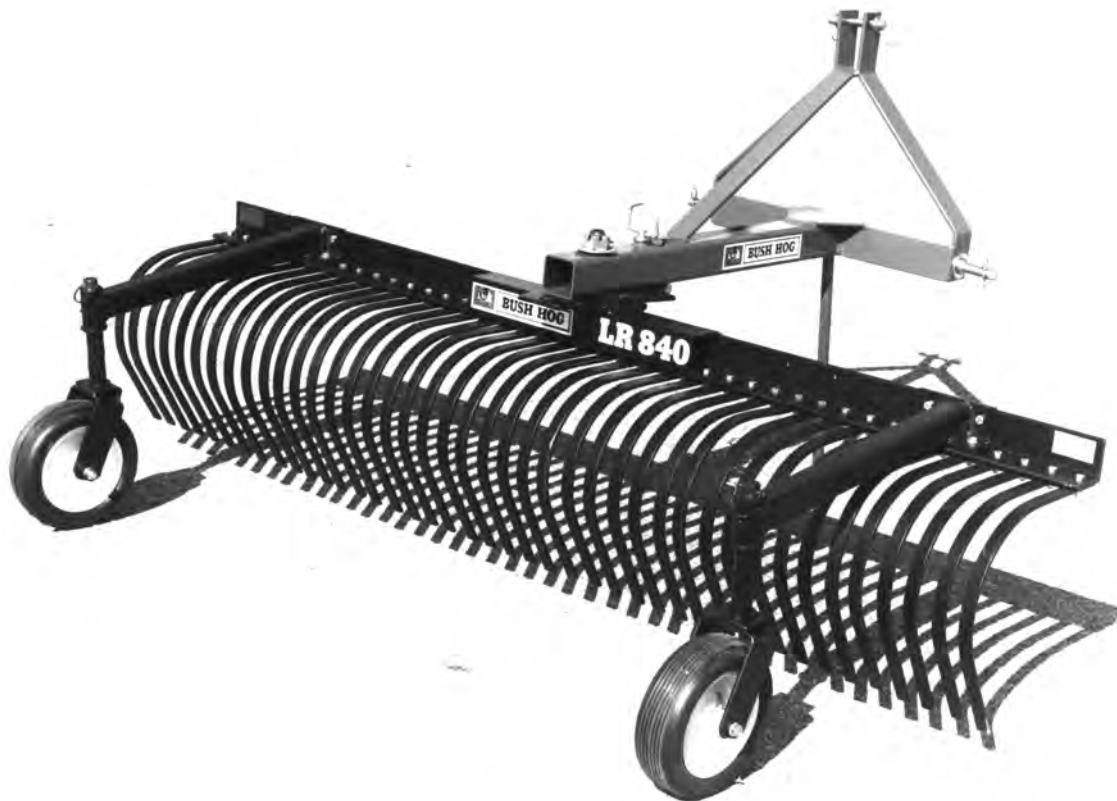


BUSH HOG[®]

MATERIAL HANDLING REPAIR PARTS MANUAL

**MODEL: LANDSCAPE RAKE
SECTION: 12**



BUSH HOG[®]

P.O. Box 1039 • Selma, AL 36702-1039
(334) 872-6261 • (334) 874-2700
Parts Ordering 1-800-304-2836
Fax 1-800-572-1784
www.bushhog.com

LANDSCAPE RAKE

TABLE OF CONTENTS

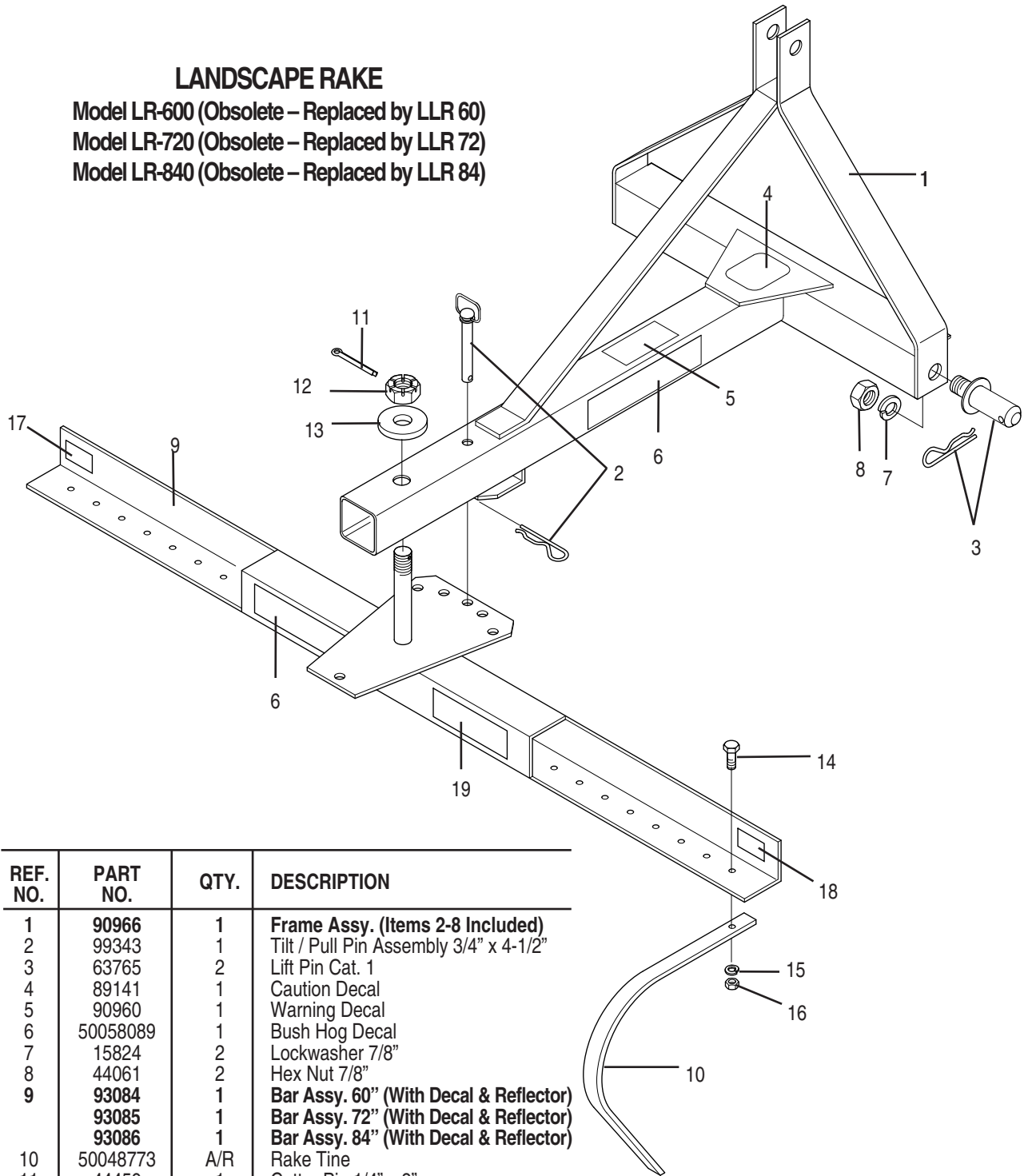
CONTENTS	PAGE
LR Landscape Rake	12-1-1, 12-1-2
LLR Landscape Rake, Light Duty	12-2-1
MLR Landscape Rake, Medium Duty	12-2-2 – 12-2-5
LRC Landscape Rake	12-3-1
Gauge Wheel Assemblies	12-1-2, 12-2-5
CLR Landscape Rake	12-4-1

LANDSCAPE RAKE

Model LR-600 (Obsolete – Replaced by LLR 60)

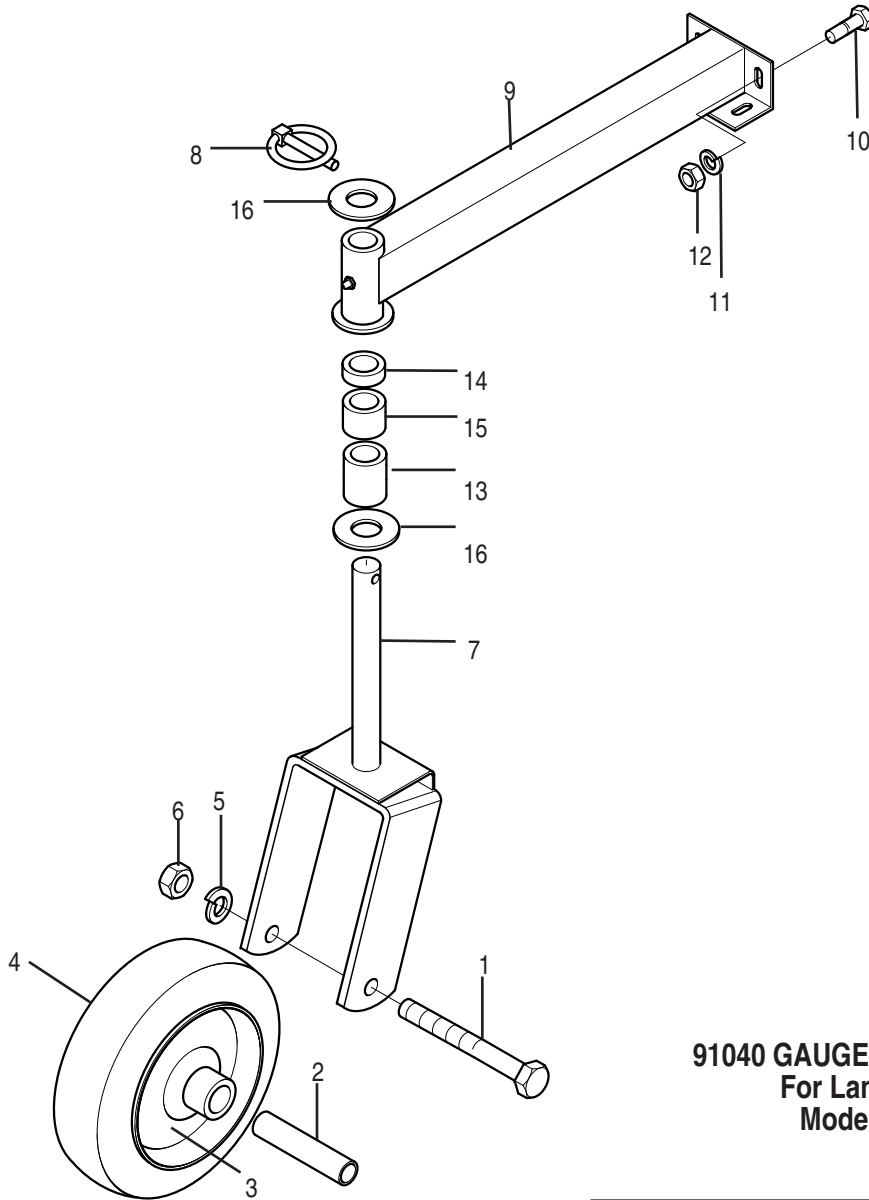
Model LR-720 (Obsolete – Replaced by LLR 72)

Model LR-840 (Obsolete – Replaced by LLR 84)



REF. NO.	PART NO.	QTY.	DESCRIPTION
1	90966	1	Frame Assy. (Items 2-8 Included)
2	99343	1	Tilt / Pull Pin Assembly 3/4" x 4-1/2"
3	63765	2	Lift Pin Cat. 1
4	89141	1	Caution Decal
5	90960	1	Warning Decal
6	50058089	1	Bush Hog Decal
7	15824	2	Lockwasher 7/8"
8	44061	2	Hex Nut 7/8"
9	93084	1	Bar Assy. 60" (With Decal & Reflector)
	93085	1	Bar Assy. 72" (With Decal & Reflector)
	93086	1	Bar Assy. 84" (With Decal & Reflector)
10	50048773	A/R	Rake Tine
11	44459	1	Cotter Pin 1/4" x 3"
12	20919	1	Hex Nut, Slotted 1 1/4"
13	20570	1	Flatwasher 1 1/4"
14	—	A/R	Capscrew 3/8" x 1 1/4"
15	—	A/R	Lockwasher 3/8"
16	—	A/R	Hex Nut 3/8"
17	50031213	1	Red Reflector (60" & 72" Rakes)
18	50031214	1	Amber Reflector (84" Rake)
19	90956	1	Model Decal LR-600
	90957	1	Model Decal LR-720
	90958	1	Model Decal LR-840

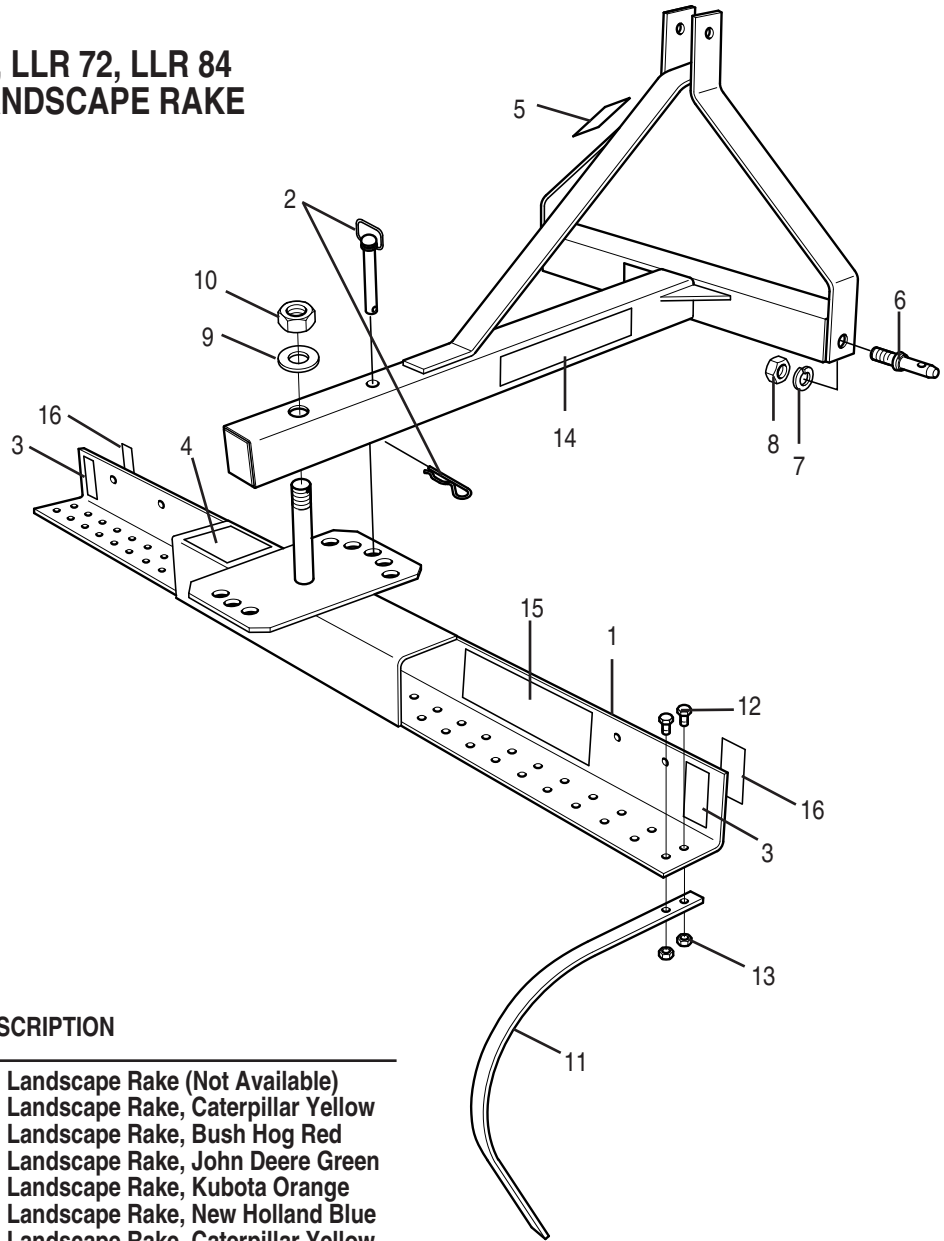
A/R - As Required



91040 GAUGE WHEEL ASSEMBLY
For Landscape Rake
Models LR & LLR

REF. NO.	PART NO.	QTY.	DESCRIPTION
1	44030	1	Capscrew 1/2" x 5" Gr.5
2	88970	1	Wheel Tube
3	91032	1	Wheel
4	91033	1	Tire
5	—	1	Lockwasher 1/2"
6	—	1	Hex Nut 1/2"
7	91034	1	Caster
8	20312	1	Spring Pin
9	91036	1	Arm
10	—	4	Capscrew 3/8" x 1 1/2" Gr.5
11	—	4	Lockwasher 3/8"
12	—	4	Hex Nut 3/8"
13	99314	1	Spacer 1 1/2"
14	84612	1	Spacer 1/2"
15	84613	3	Spacer 1"
16	20376	2	Flatwasher 1"

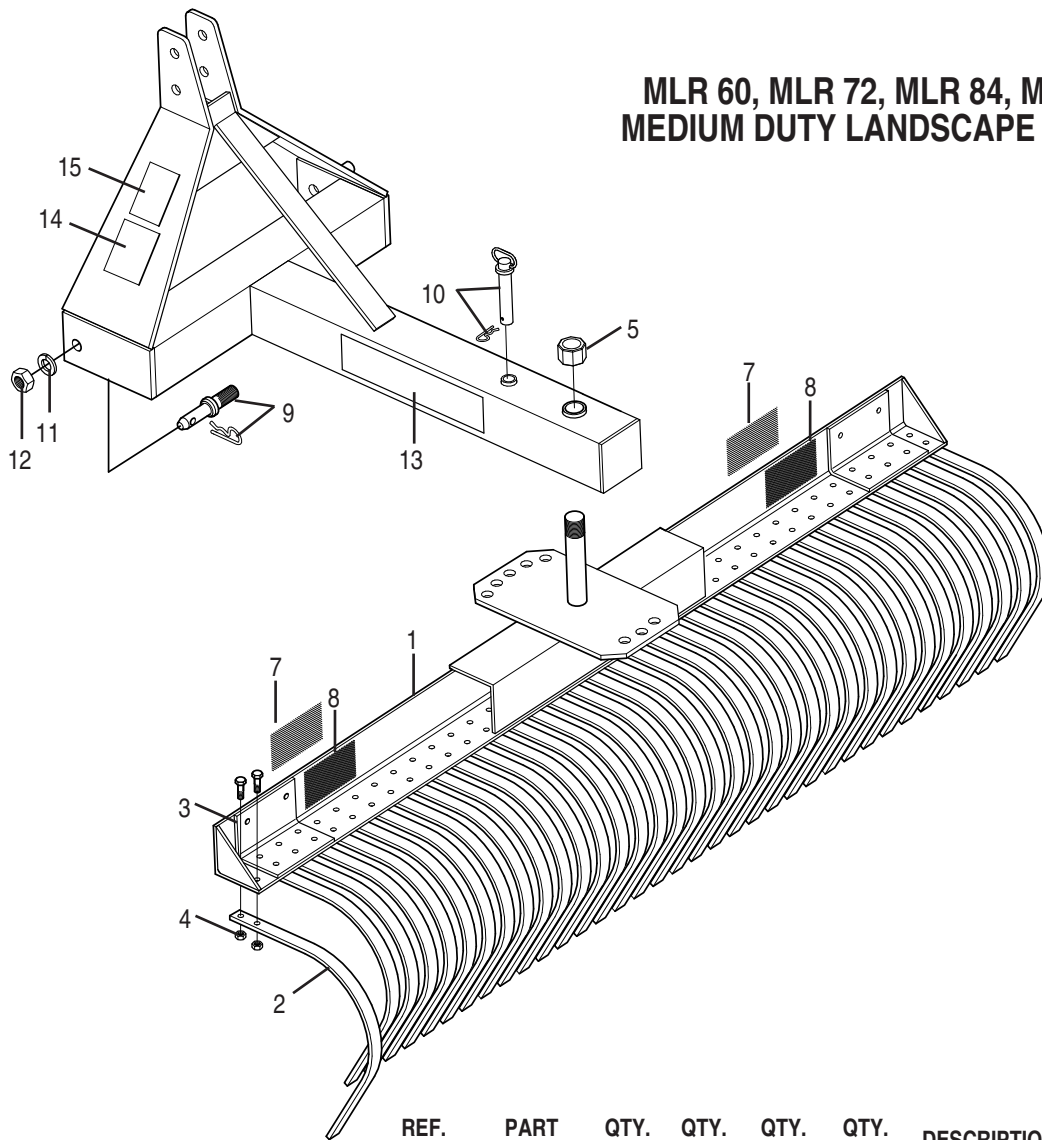
**LLR48, LLR 60, LLR 72, LLR 84
LIGHT DUTY LANDSCAPE RAKE**



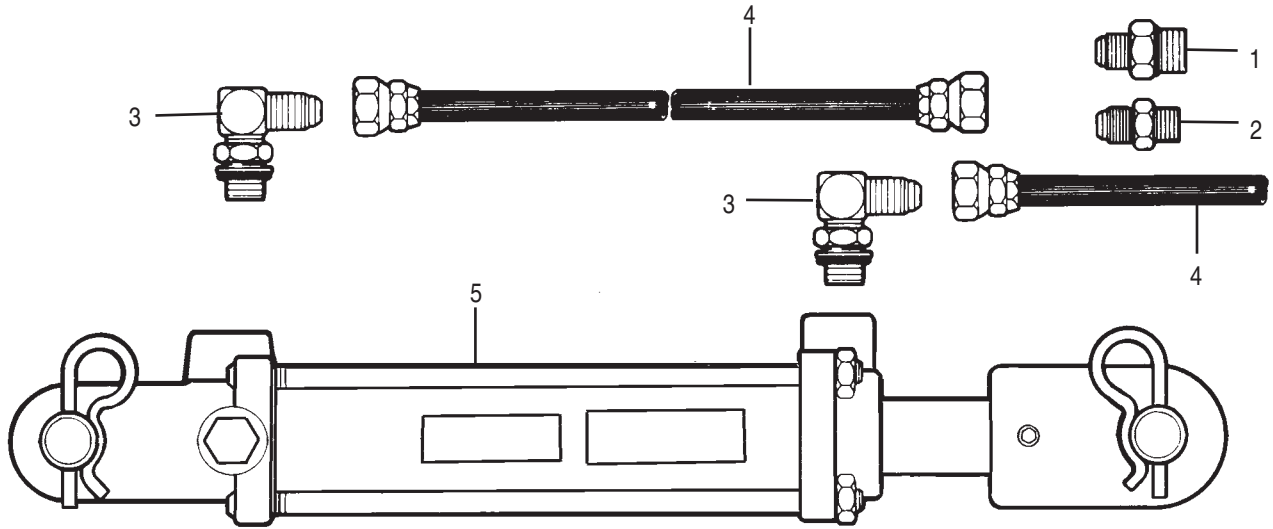
REF. NO.	PART NO.	QTY.	DESCRIPTION
1	—	-	48" Landscape Rake (Not Available)
	LLR60-16	1	60" Landscape Rake, Caterpillar Yellow
	LLR72-01	1	72" Landscape Rake, Bush Hog Red
	LLR72-03	1	72" Landscape Rake, John Deere Green
	LLR72-05	1	72" Landscape Rake, Kubota Orange
	LLR72-14	1	72" Landscape Rake, New Holland Blue
	LLR72-16	1	72" Landscape Rake, Caterpillar Yellow
	LLR84-16	1	84" Landscape Rake, Caterpillar Yellow
2	99343	1	Pull Pin Assembly
3	50031213	2	Red Reflector (48", 60", 72")
	50031214	2	Red Reflector (84")
4	50057097	1	Decal, Caution
5	90960	1	Decal, Warning
6	63765	2	Lift Pin
7	—	2	Lockwasher 7/8"
8	—	2	Hex Nut 7/8"
9	20570	1	Flatwasher 1-1/4"
10	15521	1	Locknut 1-1/4", Collar
11	50048773	24	Rake Teeth (LLR-48)
	50048773	30	Rake Teeth (LLR-60)
	50048773	36	Rake Teeth (LLR-72)
	50048773	42	Rake Teeth (LLR-84)
12	—	24	Capscrew 3/8" x 1-1/4" Gr.5 (LLR 48)
	—	30	Capscrew 3/8" x 1 1/4" Gr.5 (LLR 60)
	—	36	Capscrew 3/8" x 1 1/4" Gr.5 (LLR 72)
	—	42	Capscrew 3/8" x 1 1/4" Gr.5 (LLR 84)

REF. NO.	PART NO.	QTY.	DESCRIPTION
13	—	24	Locknut 3/8" (LLR 48)
	—	30	Locknut 3/8" (LLR 60)
	—	36	Locknut 3/8" (LLR 72)
	—	42	Locknut 3/8" (LLR 84)
14	50058089	2	Decal, Bush Hog
15	97968	1	Model No. Decal LLR-48
	97969	1	Model No. Decal LLR-60
	97970	1	Model No. Decal LLR-72
	97971	1	Model No. Decal LLR-84
16	53315	2	Amber Reflector

**MLR 60, MLR 72, MLR 84, MLR 96
MEDIUM DUTY LANDSCAPE RAKES**



REF. NO.	PART NO.	QTY. 60"	QTY. 72"	QTY. 84"	QTY. 96"	DESCRIPTION
	—	1	-	-	-	60" Landscape Rake (Not Available)
	MLR72-16	-	1	-	-	72" Landscape Rake, Caterpillar Yellow
	MLR84-16	-	-	1	-	84" Landscape Rake, Caterpillar Yellow
	MLR96-16	-	-	-	1	96" Landscape Rake, Caterpillar Yellow
1	—	1	-	-	-	60" Rake Weldment w/ Decals
	50048762	-	1	-	-	72" Rake Weldment w/Decals
	50048764	-	-	1	-	84" Rake Weldment w/Decals
	50048766	-	-	-	1	96" Rake Weldment w/Decals
2	50048773	30	36	42	48	Rake Tine
3	—	30	72	84	96	Capscrew 3/8" x 1-1/4"
4	20363	30	72	84	96	Lock Nut 3/8"
5	15521	1	1	1	1	Lock Nut 1-1/4" Gr. C Collar
6	97972	1	-	-	-	Model No. Decal, MLR60
	97973	-	1	-	-	Model No. Decal, MLR72
	97974	-	-	1	-	Model No. Decal, MLR84
	97975	-	-	-	1	Model No. Decal, MLR96
7	53315	2	2	2	2	Amber Reflector
8	50031213	2	2	-	-	Red Reflector (60", 72")
	50031214	-	-	2	2	Red Reflector (84", 96")
9	63765	2	2	2	2	Lift Pin
10	50039207	2	1	1	1	Index Pin 3/4" x 6-1/2"
11	—	2	2	2	2	Lockwasher 7/8"
12	—	2	2	2	2	Hex Nut 7/8"
13	97976	2	2	2	2	Bush Hog Decal
14	89141	1	1	1	1	Caution Decal
15	90960	1	1	1	1	Warning Decal

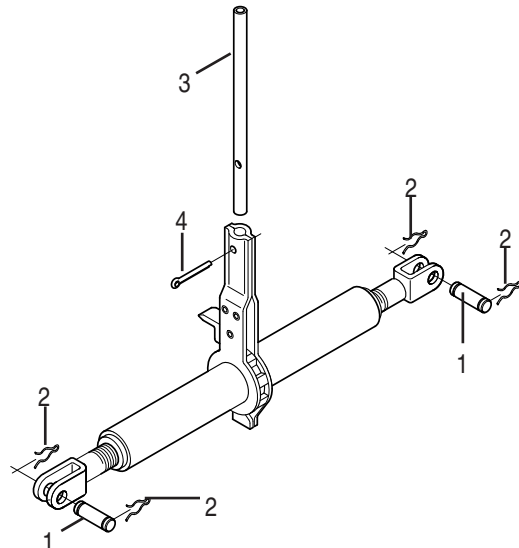


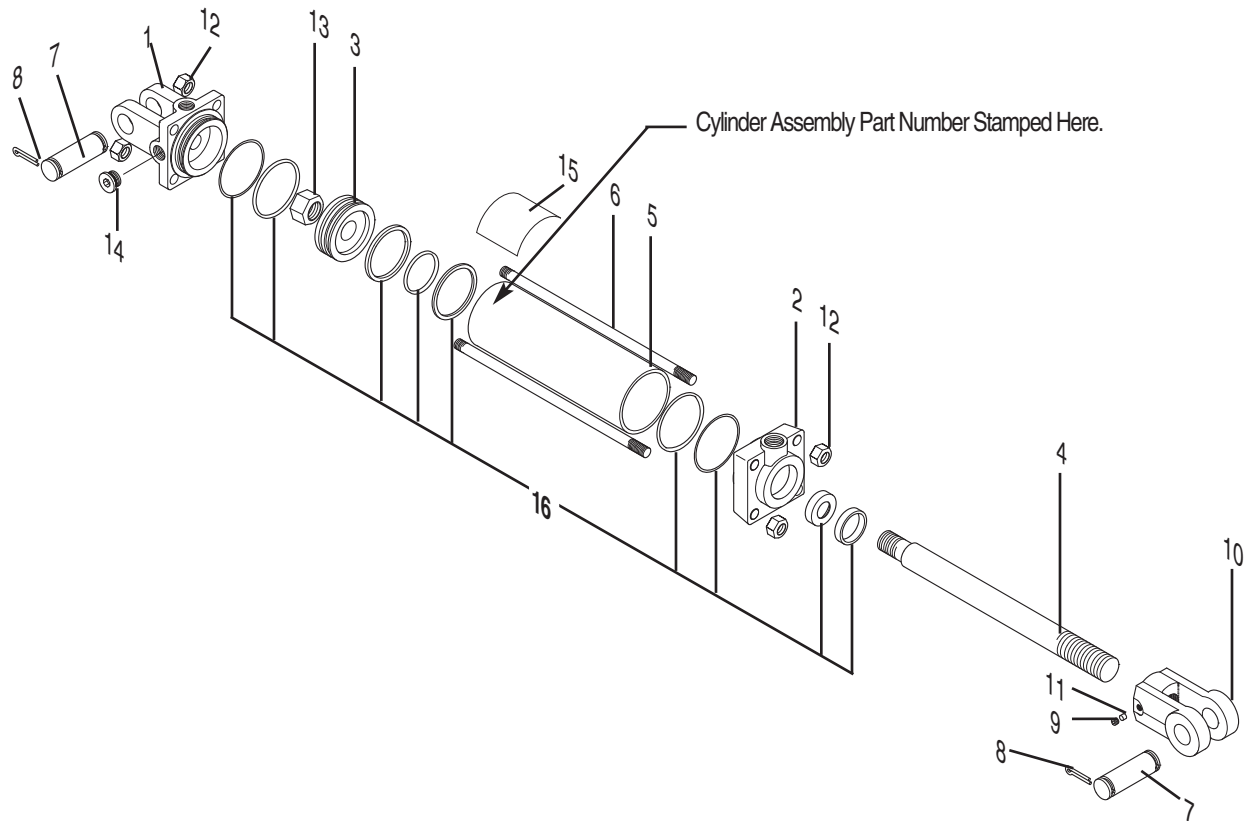
97978 HYDRAULIC CYLINDER KIT
For MLR Landscape Rake

REF. NO.	PART NO.	QTY.	DESCRIPTION
1	53340	2	Adaptor 9/16" JIC to 3/4" SAE
2	24-6-434	2	Adaptor 9/16" JIC to 1/2" NPT
3	14-40-98	2	90° Elbow 3/4" ORB to 9/16" JIC
4	62427	2	Hydraulic Hose 144"
5	50047479	1	Hydraulic Cylinder Assy

1817 RATCHET ASSEMBLY
For MLR Landscape Rake

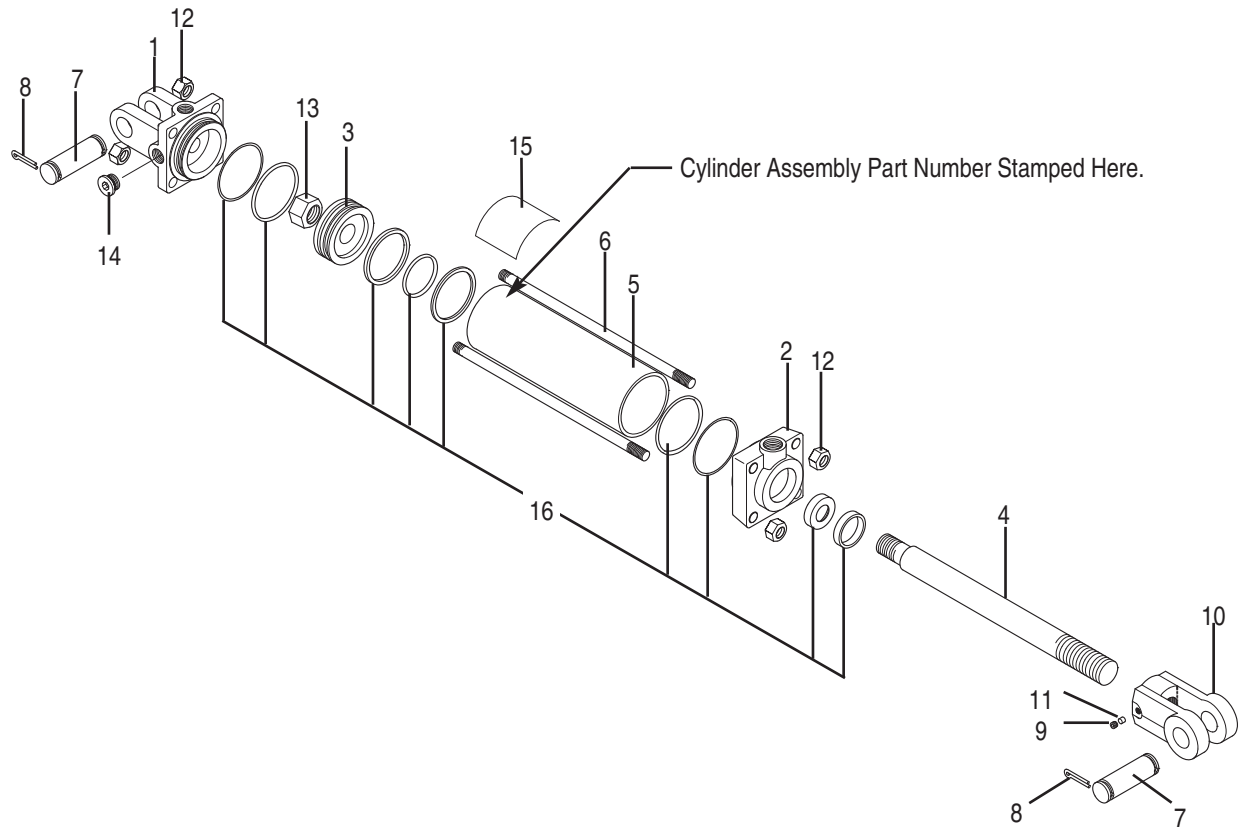
REF. NO.	PART NO.	QTY.	DESCRIPTION
1	50028265	2	Pin
2	50028264	4	Clip Pin
3	11810	1	Handle
4	—	1	Cotter Pin 1/4" x 1-3/4"





50017492 HYDRAULIC CYLINDER
For MLR Landscape Rake
Mfd. by Monarch
2" Bore x 8" Stroke 1.125" Rod Dia.
3/4" - 16 ORB Ports
Replaced by 50047479 Hydraulic Cylinder

REF. NO.	PART NO.	QTY.	DESCRIPTION
1	95458	1	Clevis Cap
2	95457	1	Rod Cap
3	95460	1	Piston
4	95459	1	Rod 1.125" Dia.
5	95454	1	Cylinder Tube
6	95455	4	Tie Rod
7	95425	2	Pin 1" Dia.
8	21020614	4	Cotter Pin 3/16" x 1 1/2"
9	95433	1	Thread Lock
10	95456	1	Rod Clevis 1.125" x 1"
11	95422	1	Set Screw 3/8" x 1/2 Knurled
12	8151200	8	Hex Nut 3/8"
13	95452	1	Hex Nut 3/4" UNF
14	95435	1	Plug 3/4"
15	95423	1	Caution Decal
16	50017620	1	Seal Kit



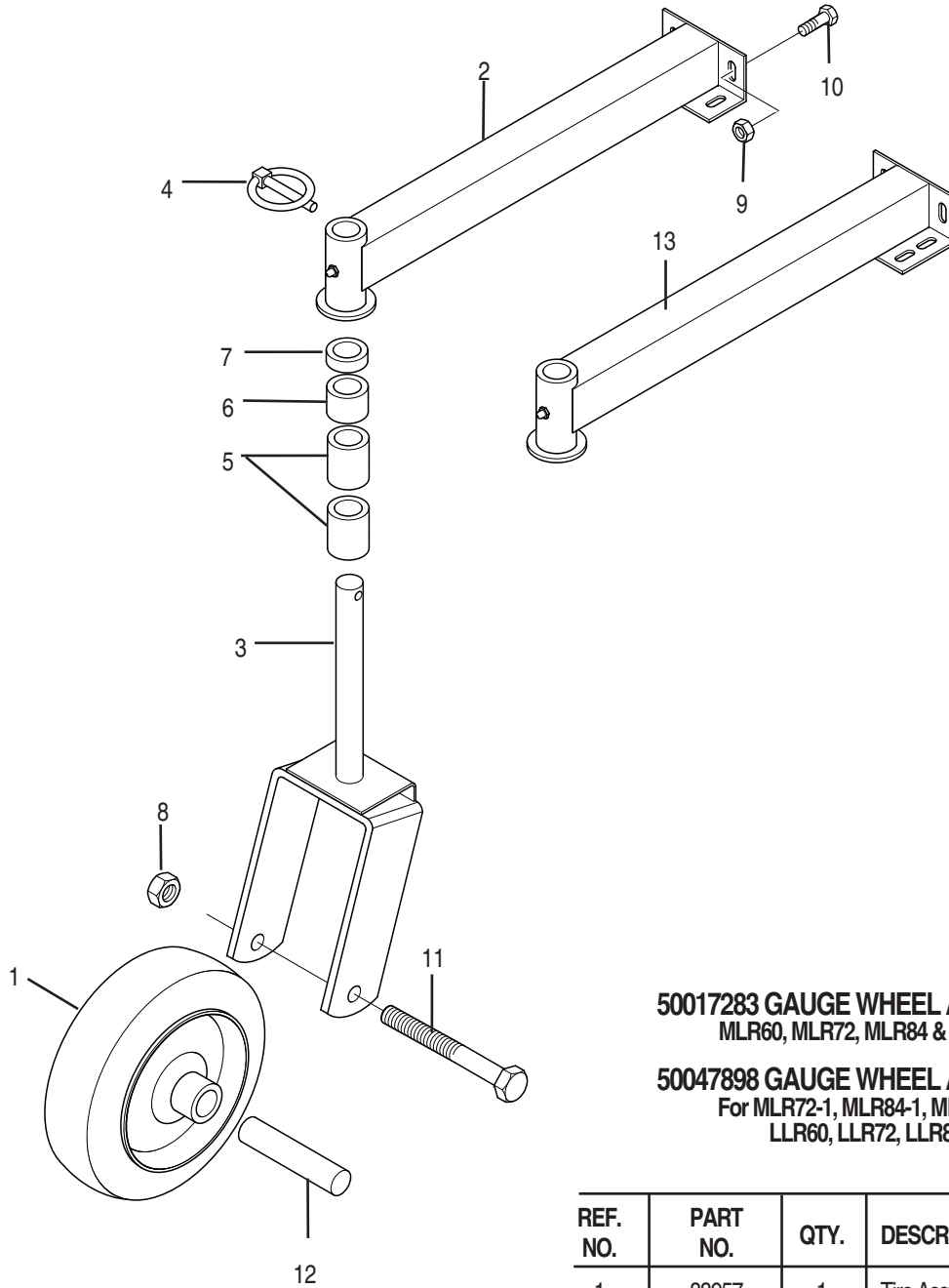
50047479 HYDRAULIC CYLINDER

Mfd. by Bailey

2" Bore x 8" Stroke, 1.125" Rod Dia.

3/4"-16 UNF Ports

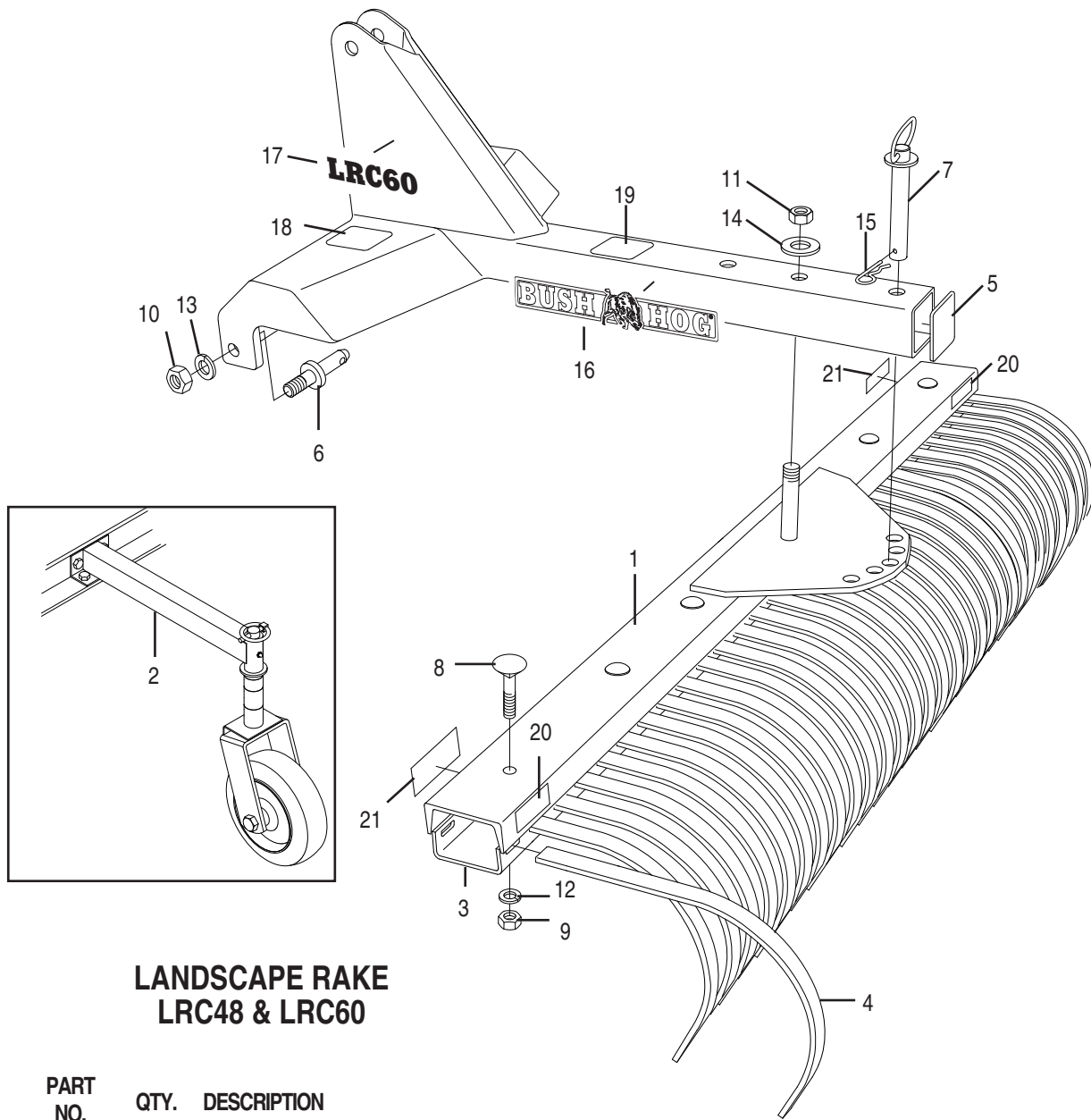
REF. NO.	PART NO.	QTY.	DESCRIPTION
1	—	1	Clevis Cap
2	—	1	Rod Cap
3	—	1	Piston
4	—	1	Rod 1.25" Dia.
5	—	1	Cylinder Tube
6	—	4	Tie Rod
7	—	2	Pin 1" Dia.
8	—	4	Cotter Pin 3/16" x 1 1/2"
9	—	1	Thread Lock
10	—	1	Rod Clevis 1.25" x 1"
11	—	1	Set Screw 3/8" x 1/2 Knurled
12	—	8	Hex Nut 5/8" UNF
13	—	1	Hex Nut 1"-14
14	—	1	Plug 3/4"
15	—	1	Caution Decal
16	50017620	1	Seal Kit for 2" Bore



50017283 GAUGE WHEEL ASSEMBLY
MLR60, MLR72, MLR84 & MLR96

50047898 GAUGE WHEEL ASSEMBLY
For MLR72-1, MLR84-1, MLR96-1,
LLR60, LLR72, LLR84

REF. NO.	PART NO.	QTY.	DESCRIPTION
1	88957	1	Tire Assy.
2	99316	1	Caster Arm Assembly (MLR60, MLR72, MLR84, MLR96)
3	99315	1	Caster
4	20312	1	Pin
5	99314	2	Spacer 1 1/2"
6	84613	1	Spacer 1"
7	84612	1	Spacer 1/2"
8	9161600	1	Locknut 1/2"
9	9131200	4	Locknut 3/8"
10	1161220	4	Capscrew 3/8" x 2" Gr.5
11	20776	1	Capscrew 1/2" x 6" Gr.5
12	88970	1	Sleeve
13	50047896	1	Caster Arm Assembly (MLR72-1, MLR84-1, MLR96-1)

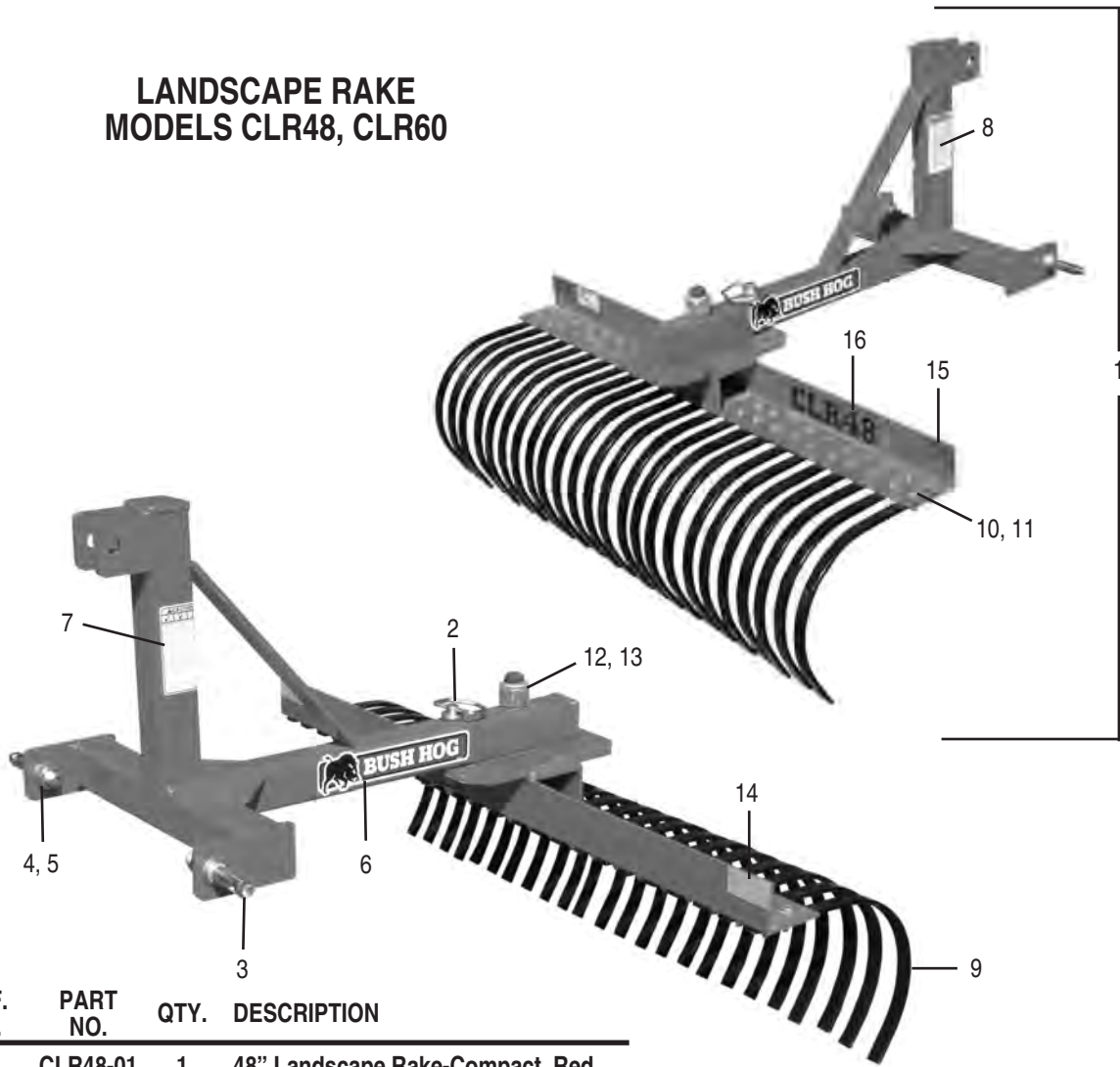


**LANDSCAPE RAKE
LRC48 & LRC60**

REF. NO.	PART NO.	QTY.	DESCRIPTION
1	LRC48-03	1	48" Landscape Rake, John Deere Green
	LRC48-05	1	48" Landscape Rake, Kubota Orange
	LRC48-14	1	48" Landscape Rake, New Holland Blue
	LRC48-21	1	48" Landscape Rake, MF Red
	LRC60-03	1	60" Landscape Rake, John Deere Green
	LRC60-05	1	60" Landscape Rake, Kubota Orange
	LRC60-14	1	60" Landscape Rake, New Holland Blue
	LRC60-21	1	60" Landscape Rake, MF Red
2	50047583	1	Gauge Wheel Kit (Optional)
3	50047577	2	Tine Spacer, 24" LRC48)
	50047577	1	Tine Spacer, 24" (LRC60)
	50047576	2	Tine Spacer, 18" (LRC60)
4	50047574	24	Rake Tine
5	50047575	1	Plastic Cap
6	63765	2	Lift Pin, Cat. 1
7	95121	1	Pull Pin, 7/8" x 4-1/4"
8	44348	A/R	Carriage Bolt 5/8" x 4"
9	—	A/R	Hex Nut 5/8"

REF. NO.	PART NO.	QTY.	DESCRIPTION
10	44061	2	Hex Nut 7/8" NF
11	44149	1	Lock Nut 7/8"
12	—	A/R	Lockwasher 5/8"
13	—	2	Lockwasher 7/8"
14	—	1	Flatwasher 7/8"
15	50005860	1	Cotter Pin
16	97976	2	Bush Hog Decal
17	50047296	2	Model Decal, LRC48
	50047297	2	Model Decal, LRC60
18	89141	1	Caution Decal
19	90960	1	Warning Decal
20	53316	2	Red Reflector
21	53315	2	Amber Reflector

LANDSCAPE RAKE MODELS CLR48, CLR60



REF. NO.	PART NO.	QTY.	DESCRIPTION
1	CLR48-01	1	48" Landscape Rake-Compact, Red
	CLR48-03	1	48" Landscape Rake-Compact, Green
	CLR48-05	1	48" Landscape Rake-Compact, Orange
	CLR48-14	1	48" Landscape Rake-Compact, Blue
	CLR48-16	1	48" Landscape Rake-Compact, Yellow
	CLR60-01	1	60" Landscape Rake-Compact, Red
	CLR60-03	1	60" Landscape Rake-Compact, Green
	CLR60-05	1	60" Landscape Rake-Compact, Orange
	CLR60-14	1	60" Landscape Rake-Compact, Blue
	CLR60-16	1	60" Landscape Rake-Compact, Yellow
2	99343	1	Tilt / Pull Pin Assembly
3	63765	2	Lift Pin, Cat. 1
4	—	2	Lockwasher 7/8"
5	44061	2	Hex Nut 7/8" NF
6	50058089	2	Decal, Bush Hog
7	50057097	1	Caution Decal
8	90960	1	Warning Decal
9	50058117	A/R	Rake Tine, Short - 2 Hole Mount
10	—	A/R	Capscrew 3/8" x 1-1/4"
11	20363	A/R	Locknut 3/8"
12	15521	1	Locknut 1-1/4" Gr.C Collar
13	—	1	Flatwasher 1-1/4"
14	53315	2	Amber Reflector
15	50031213	2	Red Reflector
16	50058115	1	Model Decal, CLR48
	50058121	1	Model Decal, CLR60



BUSH HOG®

2501 GRIFFIN AVE. • SELMA, AL 36703
(334) 872-6261 • (334) 874-2700
PARTS ORDERING 1-800-304-2836
FAX 1-800-572-1784
WWW.BUSHHOG.COM