

# **BUSH HOG®**

## **LAND MAINTENANCE REPAIR PARTS MANUAL**

**MODEL: FTH  
SECTION: 45**



# **BUSH HOG®**

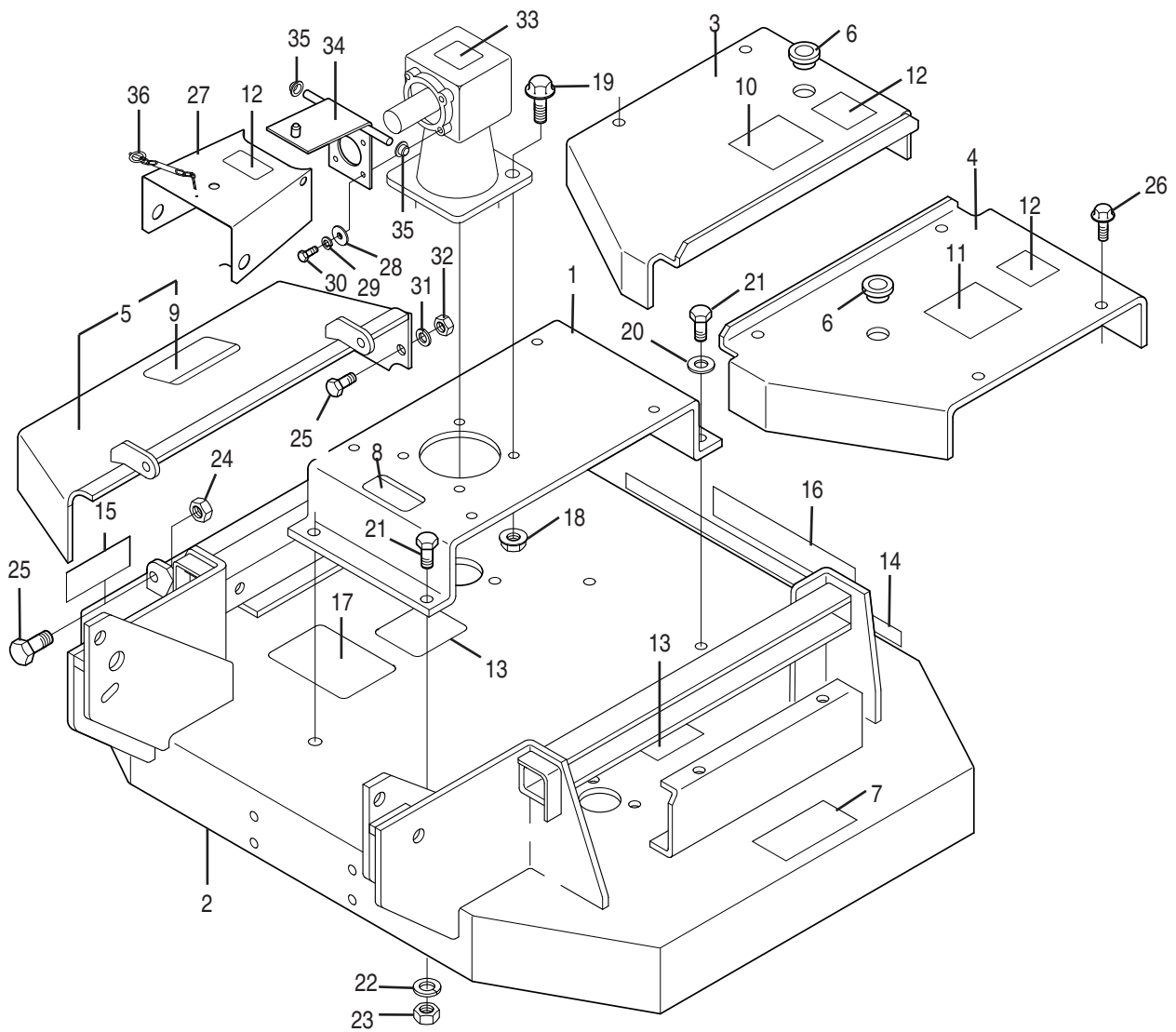
2501 Griffin Ave. • Selma, AL 36703  
(334) 872-6261 • (334) 874-2700  
Parts Ordering 1-800-304-2836  
Fax 1-800-572-1784  
[www.bushhog.com](http://www.bushhog.com)



# FTH 480, FTH 600, FTH 720

## ALPHABETICAL INDEX

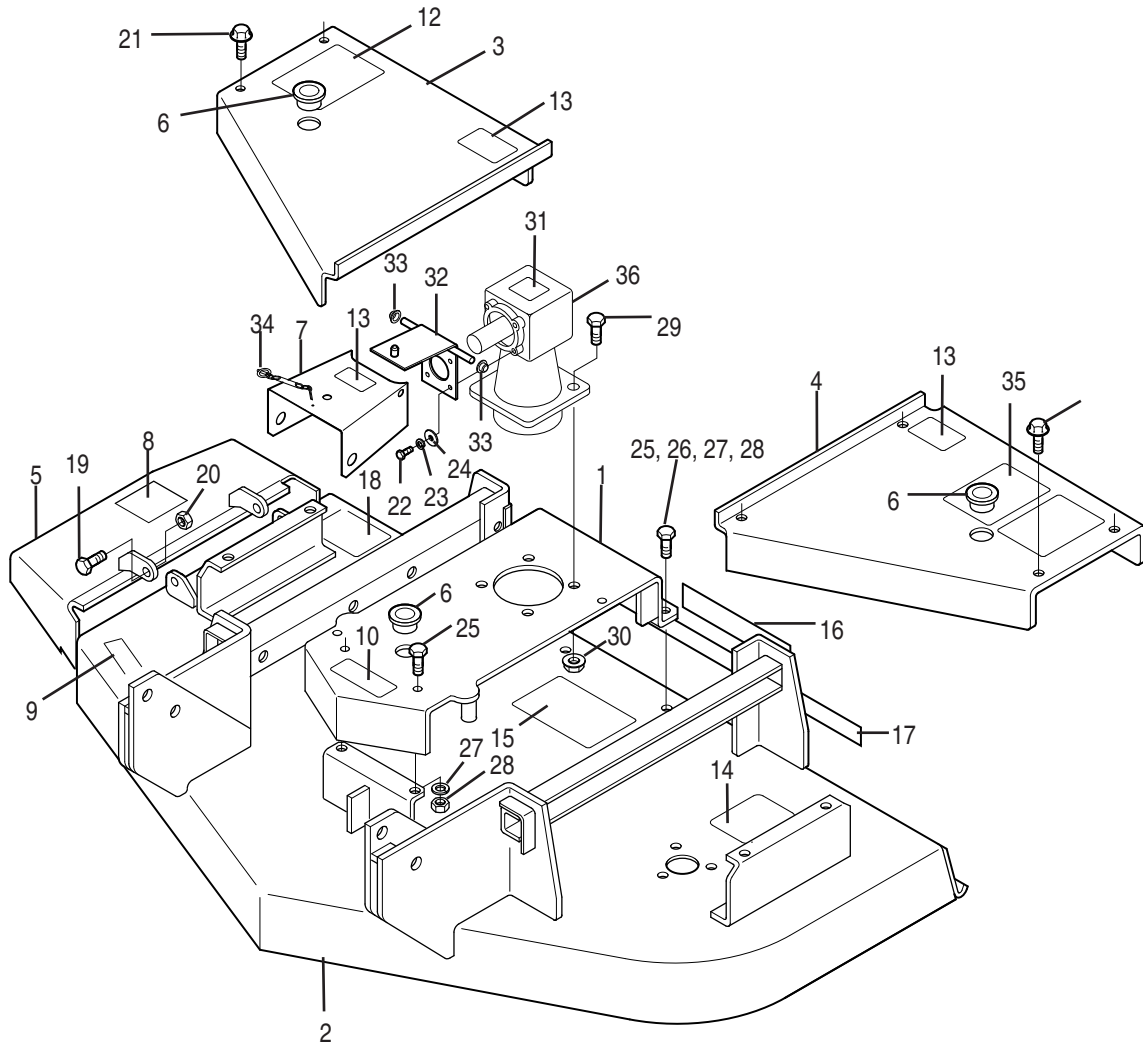
| <b>CONTENTS</b>                     | <b>PAGE</b>    |
|-------------------------------------|----------------|
| Base Frame                          |                |
| FTH 480 .....                       | 45-1-1         |
| FTH 600 & 720 .....                 | 45-1-2         |
| Belts, Drive                        |                |
| FTH 480 .....                       | 45-2-1         |
| FTH 600 & 720 .....                 | 45-2-2         |
| Caster Arm (All Models) .....       | 45-6-1         |
| Decals; Safety, Warning, Danger     |                |
| FTH 480 .....                       | 45-1-1         |
| FTH 600 & 720 .....                 | 45-1-2         |
| Driveshaft Assy. (All Models) ..... | 45-4-1, 45-4-2 |
| Gear Box Assemblies .....           | 45-3-2, 45-3-3 |
| Mast & Support (3 PT Lift) .....    | 45-5-1         |
| Pulleys (Drive & Idlers)            |                |
| FTH 480 .....                       | 45-2-1         |
| FTH 600 & 720 .....                 | 45-2-2         |
| Roller, Front .....                 | 45-6-2         |
| Shields, Safety                     |                |
| FTH 480 .....                       | 45-1-1         |
| FTH 600 & 720 .....                 | 45-1-2         |
| Spindle Assembly .....              | 45-3-1         |
| Wheel & Fork Assembly .....         | 45-6-1         |



**BASE FRAME AND SHIELDING**  
**FTH 480**

| REF. NO. | PART NO. | QTY. | DESCRIPTION               | REF. NO. | PART NO. | QTY. | DESCRIPTION                            |
|----------|----------|------|---------------------------|----------|----------|------|--|
| 1        | 90878    | 1    | Gear Box Mount w/Decals   | 19       | ---      | 4    | Capscrew 5/8" xs 1 3/4" Gr. 5          |
| 2        | 90873    | 1    | Deck Weldment w/Decals    | 20       | ---      | 2    | Flatwasher 1/2"                        |
| 3        | 90876    | 1    | R.H. Belt Shield w/Decals | 21       | ---      | 4    | Capscrew 1/2" x 1 1/2" Gr.5            |
| 4        | 90877    | 1    | L.H. Belt Shield w/Decals | 22       | ---      | 4    | Lockwasher 1/2"                        |
| 5        | 90875    | 1    | Grass Shield w/Decals     | 23       | ---      | 4    | Hex Nut 1/2"                           |
| 6        | 88660    | 2    | Plug                      | 24       | 09131200 | 4    | Locknut 3/8"                           |
| 7        | 82619    | 1    | Danger Decal              | 25       | ---      | 3    | Capscrew 3/8" x 1" Gr.5                |
| 8        | 50042281 | 1    | RPM Decal                 | 26       | 86873    | 8    | Capscrew, Flange Lock 3/8" x 3/4" Gr.5 |
| 9        | 83056    | 1    | Warning Decal             | 27       | 94306    | 1    | Input Shield                           |
| 10       | 82618    | 1    | Warning Decal             | 28       | 44216    | 4    | Flatwasher m8                          |
| 11       | 82617    | 1    | Warning Decal             | 29       | 44311    | 4    | Lockwasher m8                          |
| 12       | 50012615 | 3    | Warning Decal             | 30       | 44215    | 4    | Capscrew m8                            |
| 13       | 50012616 | 2    | Danger Decal              | 31       | ---      | 1    | Lockwasher 3/8"                        |
| 14       | 90837    | 1    | Model No. Decal Stripe    | 32       | ---      | 1    | Hex Nut 3/8"                           |
| 15       | 90838    | 1    | Model No. Decal           | 33       | 50057096 | 1    | Decal, Gearbox Warranty                |
| 16       | 12115    | 1    | Bush Hog Decal            | 34       | 94305    | 1    | Shield Mount                           |
| 17       | 90879    | 1    | Belt Installation Decal   | 35       | 50014067 | 2    | Cap. Friction                          |
| 18       | 20414    | 4    | Locknut, Flanged 5/8"     | 36       | 6050096  | 1    | Pin & Chain Assembly                   |

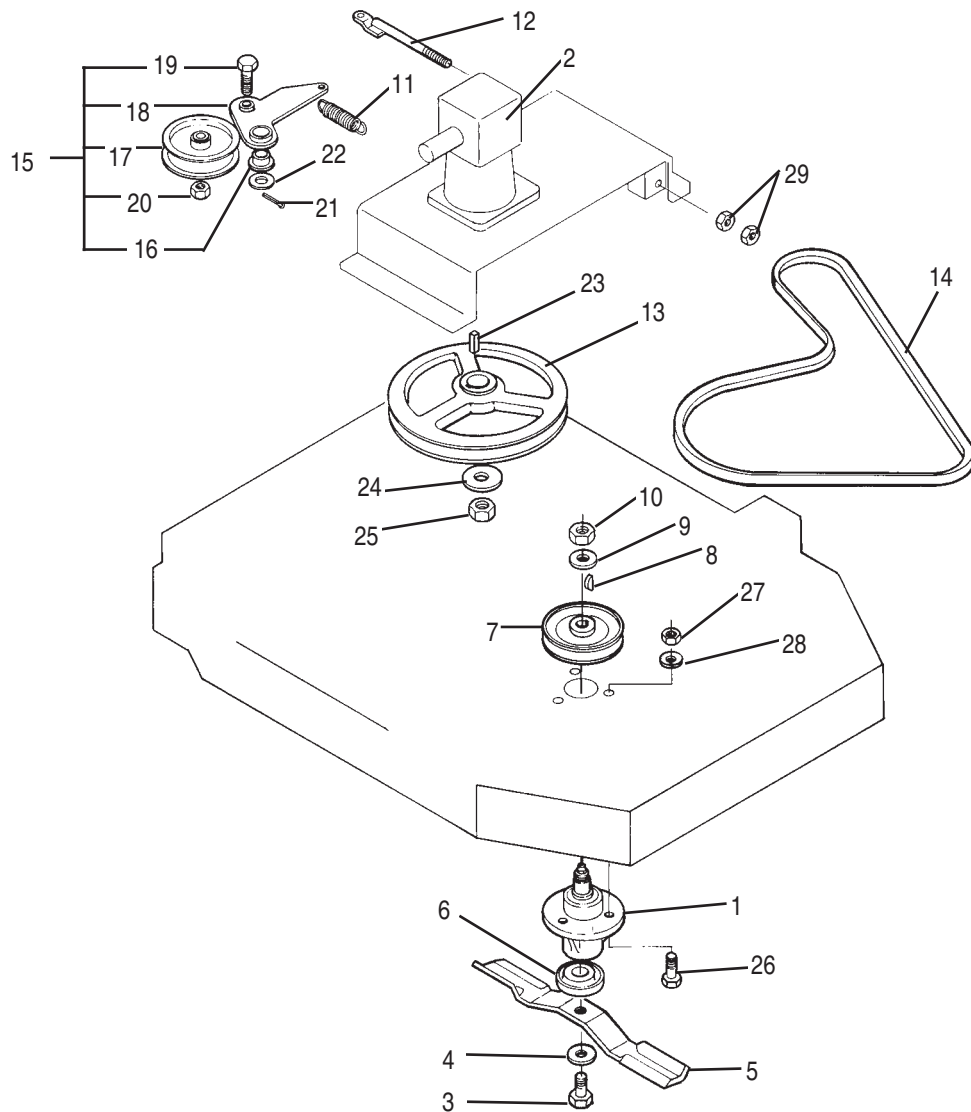
### FTH 600 & FTH 720 BASE FRAME AND SHIELDING



## FTH 600 & FTH 720 BASE FRAME AND SHIELDING

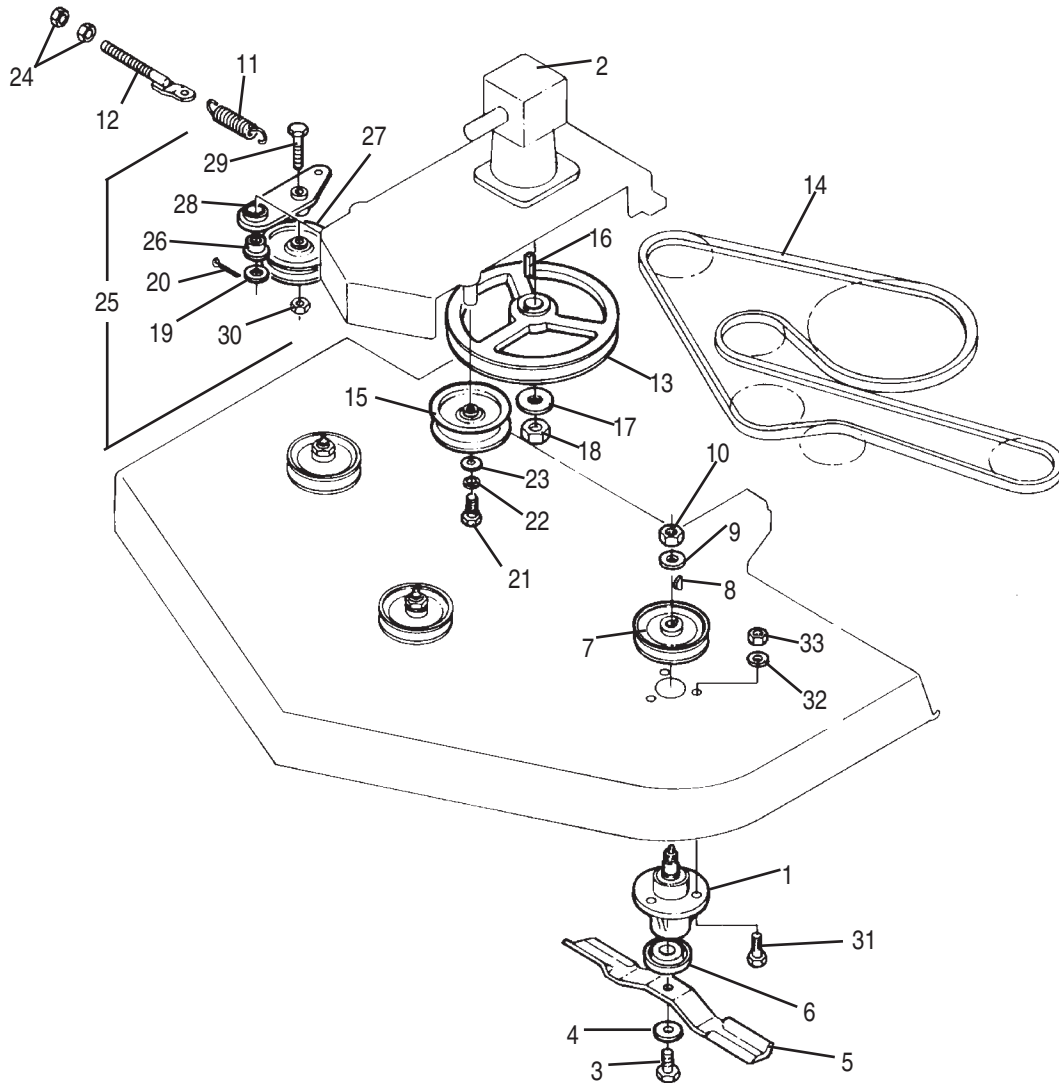
| REF. NO. | PART NO. FTH600 | PART NO. FTH720 | QTY. | DESCRIPTION                      |
|----------|-----------------|-----------------|------|----------------------------------|
| 1        | 50055182        | 50055205        | 1    | Gearbox Mount                    |
| 2        | 50056708        | 50056716        | 1    | Deck w/ Decals, Blue             |
|          | 50056709        | 50056717        | 1    | Deck w/ Decals, Green            |
|          | 50056710        | 50056718        | 1    | Deck w/ Decals, Orange           |
|          | 50056711        | 50056719        | 1    | Deck w/ Decals, Red              |
| 3        | 50055174        | 50055194        | 1    | Right Shield w/ Decals           |
| 4        | 50055178        | 50055198        | 1    | Left Shield w/ Decals            |
| 5        | 50056712        | 50056720        | 1    | Grass Shield w/ Decals, Blue     |
|          | 50056713        | 50056721        | 1    | Grass Shield w/ Decals, Green    |
|          | 50056714        | 50056722        | 1    | Grass Shield w/ Decals, Orange   |
|          | 50056715        | 50056723        | 1    | Grass Shield w/ Decals, Red      |
| 6        | 88660           | 88660           | 3    | Plug                             |
| 7        | 94306           | 94306           | 1    | Input Shield                     |
| 8        | 83056           | 83056           | 1    | Warning Decal                    |
| 9        | 90835           | 90835           | 1    | Model No. Decal FTH 600          |
|          | 90902           | 90902           | 1    | Model No. Decal FTH 720          |
| 10       | 50042281        | 50042281        | 1    | Decal, 540 RPM                   |
| 11       | 50042284        | 50042284        | 1    | Warning Decal (Left Side)        |
| 12       | 50042283        | 50042283        | 1    | Warning Decal (Right Side)       |
| 13       | 50012615        | 50012615        | 3    | Warning Decal                    |
| 14       | 50012616        | 50012616        | 2    | Danger Decal                     |
| 15       | 88655           | 88655           | 1    | Decal, Belt Installation         |
| 16       | 50055113        | 50055113        | 1    | Bush Hog Decal                   |
| 17       | 90836           | 90836           | 1    | Stripe / Model No. Decal FTH 600 |
|          | 90903           | 90903           | 1    | Stripe / Model No. Decal FTH 720 |
| 18       | 50042282        | 50042282        | 1    | Danger Decal                     |
| 19       | —               | —               | 1    | Capscrew 3/8" x 1" Gr. 5         |
| 20       | 09131200        | 09131200        | 2    | Locknut 3/8"                     |
| 21       | 86873           | 86873           | 8    | Capscrew, Flanged 3/8" x 3/4"    |
| 22       | 44215           | 44215           | 4    | Capscrew M8 x 1.25 x 15          |
| 23       | 44311           | 44311           | 4    | Lockwasher M8                    |
| 24       | 44216           | 44216           | 4    | Flatwasher M8                    |
| 25       | —               | —               | 4    | Capscrew 1/2" x 1 1/2" Gr. 5     |
| 26       | —               | —               | 2    | Flatwasher 1/2"                  |
| 27       | —               | —               | 4    | Lockwasher 1/2"                  |
| 28       | —               | —               | 4    | Hex Nut 1/2"                     |
| 29       | 15165           | 15165           | 4    | Capscrew 5/8" x 1 3/4" Gr.5      |
| 30       | 20414           | 20414           | 4    | Locknut 5/8"                     |
| 31       | 50057096        | 50057096        | 1    | Gearbox Warranty Decal, 5 Yr.    |
| 32       | 94305           | 94305           | 1    | Shield Mount                     |
| 33       | 50014067        | 50014067        | 2    | Cap, Friction                    |
| 34       | 6050096         | 6050096         | 1    | Pin & Chain Assembly             |
| 35       | 50042285        | 50042285        | 1    | Warning Decal                    |
| 36       | 50069162        | 50069162        | 1    | Gearbox Assembly,                |





**PULLEYS AND BELTS**  
**FTH 480 - 48" MOWER**

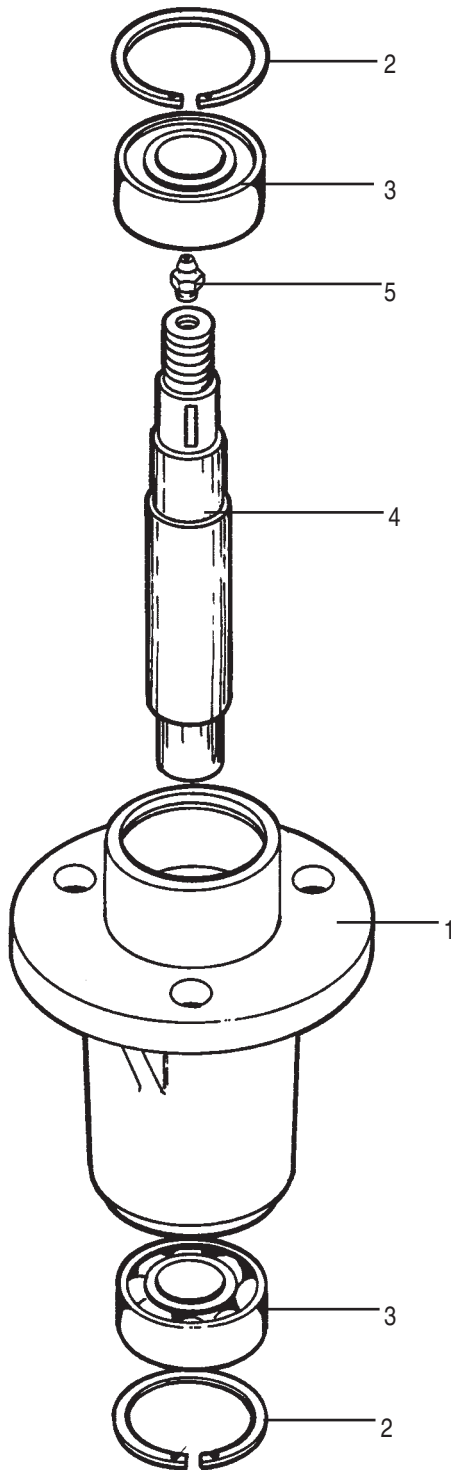
| REF. NO. | PART NO. | QTY. | DESCRIPTION                     | REF. NO. | PART NO. | QTY. | DESCRIPTION               |
|----------|----------|------|---------------------------------|----------|----------|------|---------------------------|
| 1        | 50051388 | 2    | Spindle Assembly                | 16       | 88691    | 1    | Bushing                   |
| 2        | 70015BH  | 1    | Gear Box Assembly               | 17       | 88663    | 1    | Idler pulley              |
| 3        | 44506    | 2    | Capscrew 1/2" x 1 3/4" UNF Gr.8 | 18       | 90849    | 1    | Idler Arm Weld.           |
| 4        | 44040    | 2    | Safety Washer                   | 19       | —        | 1    | Capscrew 5/8" x 3" Gr.5   |
| 5        | 88773    | 2    | Blade 25" (Offset, Uplift)      | 20       | 15598    | 1    | Lock Nut 5/8"             |
|          | 82325    | 2    | Blade 25" (Flat, Uplift)        | 21       | 21020614 | 1    | Cotter Pin 3/16" x 1 1/2" |
| 6        | 88754    | 2    | Blade Washer                    | 22       | 20376    | 1    | Flatwasher 1"             |
| 7        | 88756    | 2    | Sheave                          | 23       | 70288    | 1    | Square Key                |
| 8        | 88753    | 2    | Wood Ruff Key                   | 24       | 70286    | 1    | Spring Washer             |
| 9        | 20748    | 2    | Flatwasher 5/8"                 | 25       | 70287    | 1    | Hex Nut M30 x 2           |
| 10       | 09162000 | 2    | Locknut 5/8"                    | 26       | —        | 6    | Capscrew 1/2" x 1 1/2"    |
| 11       | 50008038 | 1    | Spring                          | 27       | 15554    | 6    | Locknut 1/2"              |
| 12       | 88669    | 1    | Rod Weld.                       | 28       | —        | 6    | Lockwasher 1/2"           |
| 13       | 88741    | 1    | Drive Sheave                    | 29       | —        | 2    | Hex Nut 3/8"              |
| 14       | 90880    | 1    | Drive Belt                      |          |          |      |                           |
| 15       | 90881    | 1    | Idler Arm Assy.(Items 16 - 20)  |          |          |      |                           |



**PULLEYS AND BELTS**  
**FTH 600 & FTH 720**

| REF. NO. | PART NO. | QTY. | DESCRIPTION                      | REF. NO. | PART NO. | QTY. | DESCRIPTION                     |
|----------|----------|------|----------------------------------|----------|----------|------|---------------------------------|
| 1        | 50051388 | 3    | Spindle Assembly                 | 15       | 88663    | 1    | Idler Pulley                    |
| 2        | 50069162 | 1    | Gear Box Assembly                | 16       | 70228    | 1    | Key                             |
| 3        | 44506    | 3    | Capscrew 1/2" x 1 3/4" UNF Gr. 8 | 17       | 70286    | 1    | Spring Washer                   |
| 4        | 44040    | 3    | Safety Washer, Heavy Duty        | 18       | 70287    | 1    | Hex Nut M30 x 2                 |
| 5        | 88668    | 3    | Blade 21" (FTH 600)              | 19       | 20376    | 1    | Flatwasher 1"                   |
|          | 82324    | 3    | Blade 21" (FTH 600 Optional)     | 20       | —        | 1    | Cotter Pin 3/16" x 1 1/2"       |
|          | 88773    | 3    | Blade 25" (FTH 720)              | 21       | —        | 1    | Capscrew 5/8" x 2" Gr. 5        |
|          | 82325    | 3    | Blade 25" (FTH 720 Optional)     | 22       | —        | 1    | Lockwasher 5/8"                 |
| 6        | 88754    | 3    | Blade Washer                     | 23       | 6050133  | 1    | Special Flatwasher              |
| 7        | 88756    | 3    | Sheave                           | 24       | —        | 2    | Hex Nut 3/8"                    |
| 8        | 88753    | 3    | Wood Ruff Key 606                | 25       | 88671    | 1    | Idler Arm Assy. (Items 26 - 30) |
| 9        | 20748    | 3    | Flatwasher 5/8"                  | 26       | 88691    | 1    | Bushing                         |
| 10       | 09162000 | 3    | Locknut 5/8"                     | 27       | 88663    | 1    | Idler Pulley                    |
| 11       | 50008038 | 1    | Spring                           | 28       | 88703    | 1    | Idler Arm Weld.                 |
| 12       | 88669    | 1    | Rod Weldment                     | 29       | —        | 1    | Capscrew 5/8" x 3" Gr.5         |
| 13       | 88666    | 1    | Drive Sheave (FTH 600)           | 30       | 15598    | 1    | Locknut 5/8"                    |
|          | 88741    | 1    | Drive Sheave (FTH 720)           | 31       | —        | 9    | Capscrew 1/2" x 1 1/2" Gr. 5    |
| 14       | 88667    | 1    | Belt (FTH 600)                   | 32       | —        | 9    | Lockwasher 1/2"                 |
|          | 88843    | 1    | Belt (FTH 720)                   | 33       | 15554    | 9    | Locknut 1/2"                    |

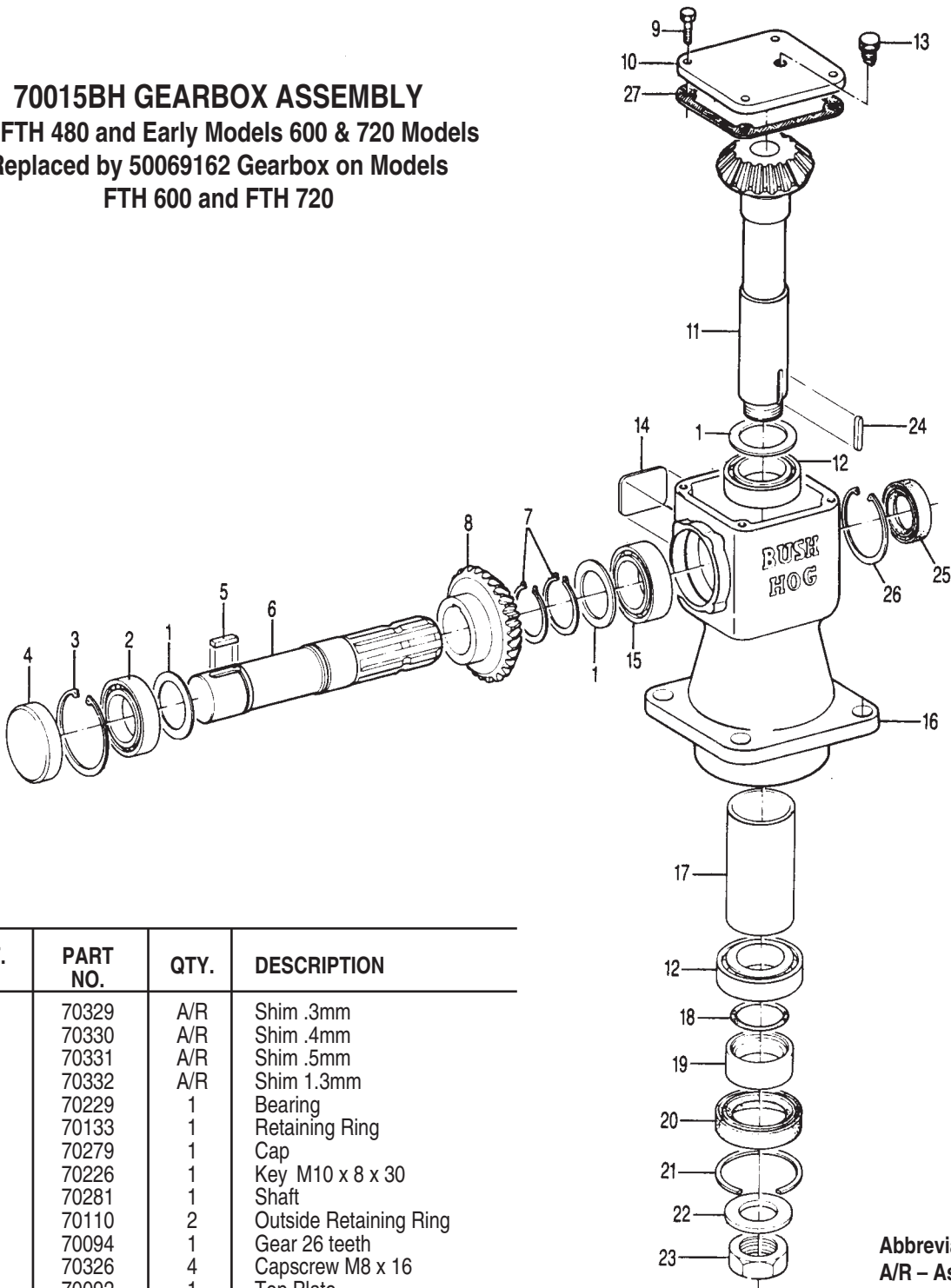




**50051388 SPINDLE ASSEMBLY**  
**FTH 480, 600, 720 MODELS**  
**Replaces 88757 Spindle Assembly (Obsolete)**

| REF. NO. | PART NO. | QTY. | DESCRIPTION     |
|----------|----------|------|-----------------|
| 1        | 88751    | 1    | Spindle Housing |
| 2        | 97685    | 2    | Retaining Ring  |
| 3        | 88749    | 2    | Bearing 25mm    |
| 4        | 50051387 | 1    | Shaft           |
| 5        | 449      | 1    | Grease Fitting  |

**70015BH GEARBOX ASSEMBLY**  
 For FTH 480 and Early Models 600 & 720 Models  
 Replaced by 50069162 Gearbox on Models  
 FTH 600 and FTH 720



| REF. NO. | PART NO. | QTY. | DESCRIPTION            |
|----------|----------|------|------------------------|
| 1        | 70329    | A/R  | Shim .3mm              |
|          | 70330    | A/R  | Shim .4mm              |
|          | 70331    | A/R  | Shim .5mm              |
|          | 70332    | A/R  | Shim 1.3mm             |
| 2        | 70229    | 1    | Bearing                |
| 3        | 70133    | 1    | Retaining Ring         |
| 4        | 70279    | 1    | Cap                    |
| 5        | 70226    | 1    | Key M10 x 8 x 30       |
| 6        | 70281    | 1    | Shaft                  |
| 7        | 70110    | 2    | Outside Retaining Ring |
| 8        | 70094    | 1    | Gear 26 teeth          |
| 9        | 70326    | 4    | Capscrew M8 x 16       |
| 10       | 70092    | 1    | Top Plate              |
| 11       | 70282    | 1    | Pinion 12 teeth        |
| 12       | 70082    | 2    | Bearing                |
| 13       | 70393    | 1    | Vent Plug              |
| 14       | N/A      | 1    | Serial No. Plate       |
| 15       | 70129    | 1    | Bearing                |
| 16       | 70283    | 1    | Housing                |
| 17       | N/A      | 1    | Spacer Ring            |
| 18       | 70081    | 1    | Gasket                 |
| 19       | 70285    | 1    | Bushing                |
| 20       | 70080    | 1    | Seal                   |
| 21       | 70079    | 1    | Shoulder Ring          |

**Abbreviations:**  
 A/R – As Required  
 N/A – Not Available

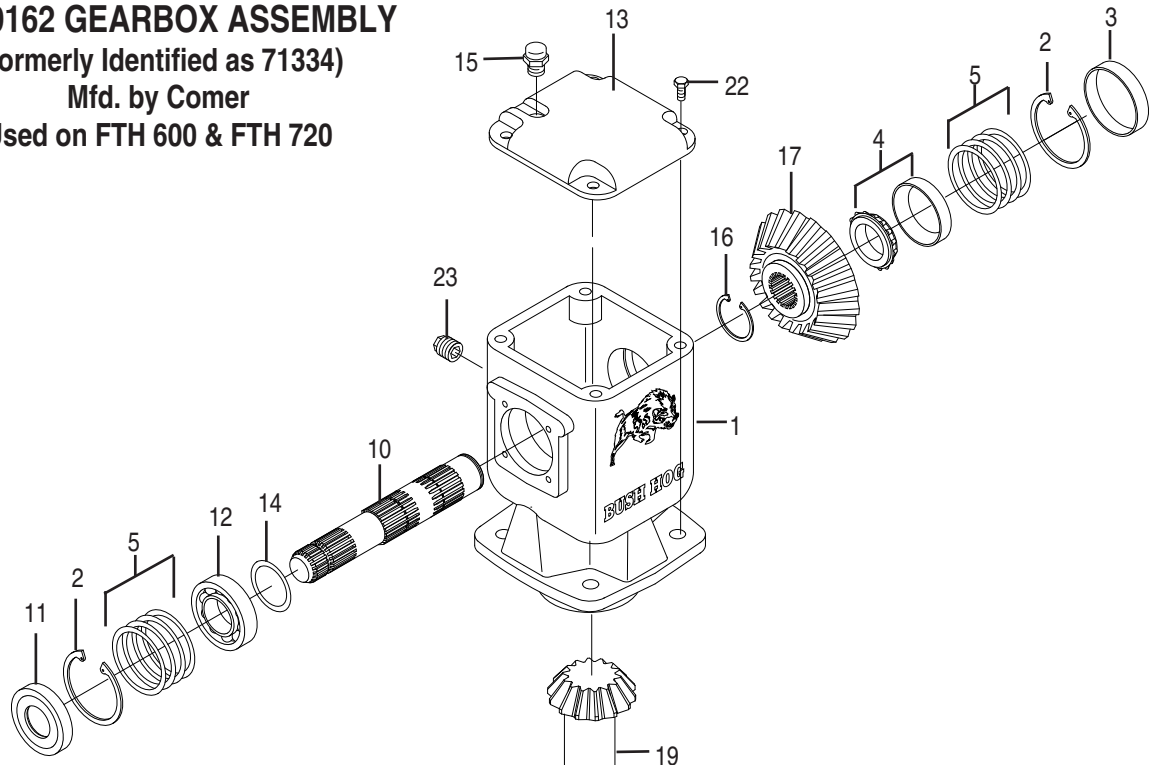
| REF. NO. | PART NO. | QTY. | DESCRIPTION       |
|----------|----------|------|-------------------|
| 22       | 70286    | 1    | Spring Washer     |
| 23       | 70287    | 1    | Hex Nut           |
| 24       | 70288    | 1    | Key 6 x 6 x 30 mm |
| 25       | 70290    | 1    | Seal              |
| 26       | 70291    | 1    | Retaining Ring    |
| 27       | 70181    | 1    | Plug 3/8"         |

### 50069162 GEARBOX ASSEMBLY

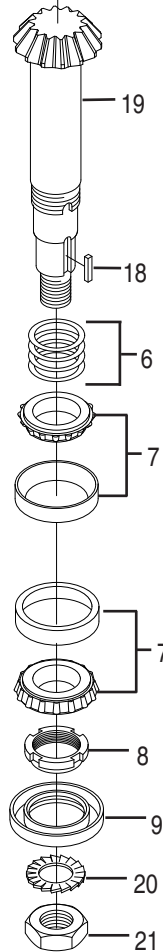
(Formerly Identified as 71334)

Mfd. by Comer

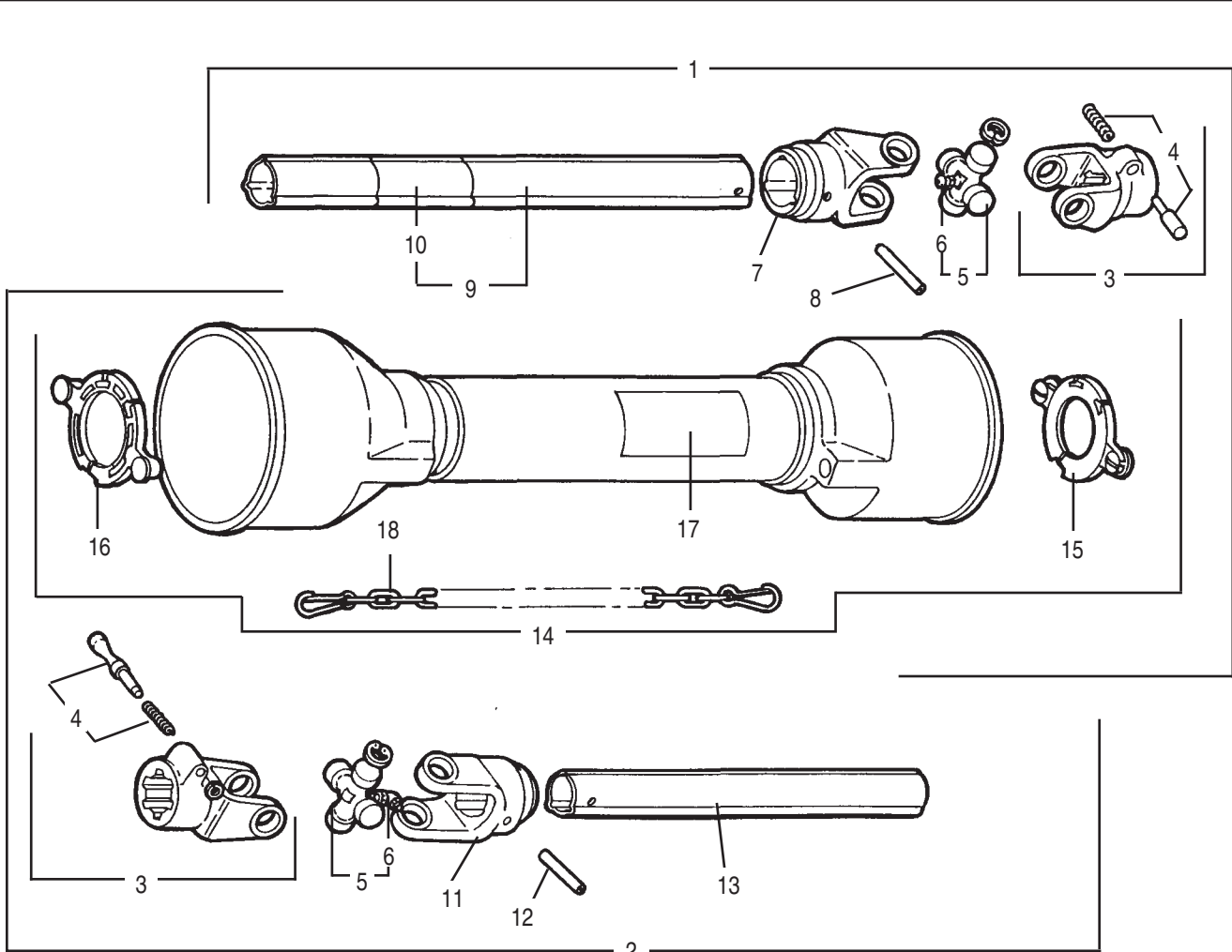
Used on FTH 600 & FTH 720



| REF. NO. | PART NO. | QTY. | DESCRIPTION               |
|----------|----------|------|---------------------------|
| 1        | 50069164 | 1    | Casting                   |
| 2        | 70133    | 2    | Snap Ring 72 x 75 x 2.5   |
| 3        | 70279    | 1    | Oil Cap                   |
| 4        | 70797    | 1    | Ball Bearing 30207        |
| 5        | 70639    | 2    | Shim 60.3 x 71.7 x .03    |
|          | 70640    | 2    | Shim 60.3 x 71.7 x .04    |
|          | 70641    | 2    | Shim 60.3 x 71.7 x .05    |
|          | 70642    | 2    | Shim 60.3 x 71.7 x 1.0    |
| 6        | 70348    | 1    | Shim 45.3 x 65.3 x .03    |
|          | 70349BH  | 1    | Shim 45.3 x 65.3 x .04    |
|          | 70350    | 1    | Shim 45.3 x 65.3 x .05    |
|          | 70351    | 1    | Shim 45.3 x 65.3 x 1.0    |
| 7        | 70796    | 2    | Roller Bearing 30209      |
| 8        | 70905    | 1    | Nut M45                   |
| 9        | 70848    | 1    | Dust Lip 40 x 90 x 8      |
| 10       | 50042822 | 1    | Input Shaft 1-3/8" Z6     |
| 11       | 70134    | 1    | Oil Seal 35 x 72 x 10     |
| 12       | 71453    | 1    | Ball Bearing 6207         |
| 13       | 50042823 | 1    | Cover                     |
| 14       | F7502811 | 1    | Shim 35.3 x 48 x 2.5      |
| 15       | 80538    | 1    | 1/2" GAS Solid Plug       |
| 16       | 70250    | 1    | Snap Ring 40 x 37.5 x 2.5 |
| 17       | 50042824 | 1    | Crown Z30                 |
| 18       | 70288    | 1    | Parallel Key 6 x 6 x 30   |
| 19       | 50042826 | 1    | Pinion Z12                |
| 20       | 70286    | 1    | Ext. Tooth Washer 31 x 48 |
| 21       | 70287    | 1    | Hex Nut M30               |
| 22       | 70278    | 4    | Bolt M8 x 1.25 x 20       |
| 23       | 70292    | 1    | 3/8" GAS Solid Plug       |

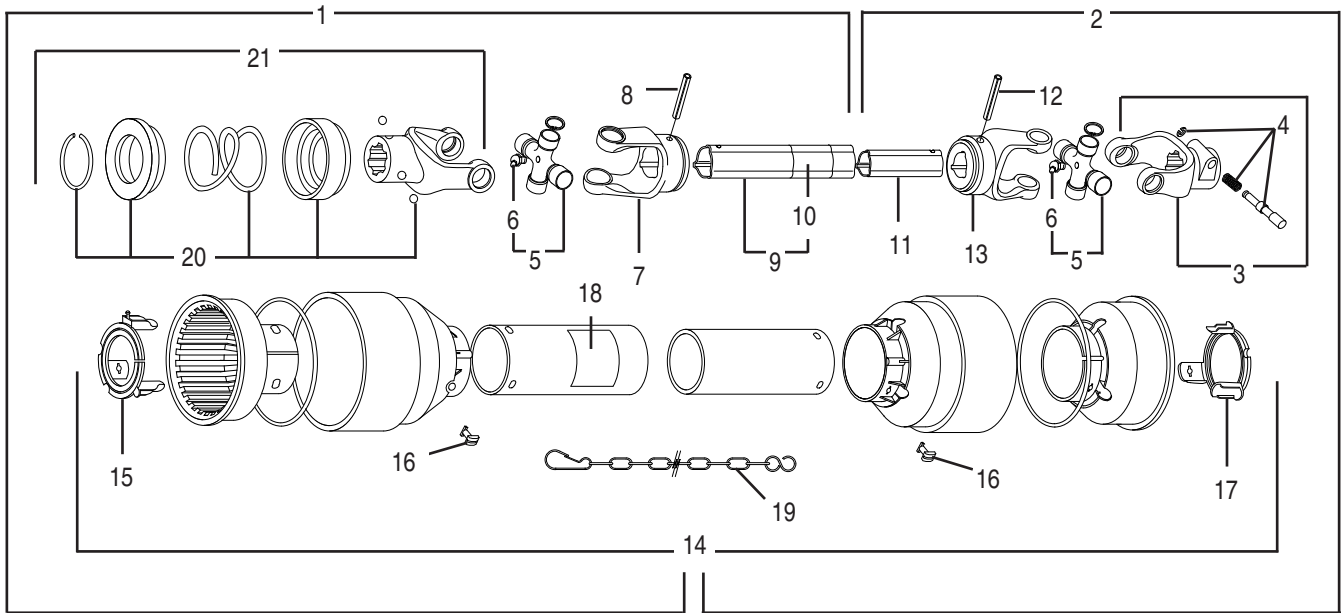






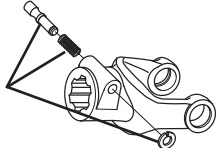
**89479 DRIVESHAFT ASSEMBLY**  
**FTH 480, 600, 720 Models**  
**Replaced by 93050 Driveshaft**

| REF. NO. | PART NO. | QTY. | DESCRIPTION               |
|----------|----------|------|---------------------------|
| 1        | 90010    | 1    | Shielded Front Half Assy. |
| 2        | 90814    | 1    | Shielded Rear Half Assy.  |
| 3        | 64692    | 2    | Yoke Assy.                |
| 4        | 63945    | 2    | Q.D. Pin Kit              |
| 5        | 64694    | 2    | Cross Bearing Kit         |
| 6        | 63956    | 2    | Grease Fitting            |
| 7        | 78571    | 1    | Yoke, Outer Tube          |
| 8        | 78577    | 1    | Flexible Pin (Outer Pin)  |
| 9        | 82800    | 1    | Outer Tube                |
| 10       | 78786    | 1    | Danger Decal              |
| 11       | 78570    | 1    | Yoke, Inner Tube          |
| 12       | 78578    | 1    | Flexible Pin (Inner Tube) |
| 13       | 82801    | 1    | Inner Tube                |
| 14       | 90012    | 1    | Safety Shield             |
| 15       | 90008    | 1    | Outer Shield Bearing      |
| 16       | 50042832 | 1    | Inner Shield Bearing      |
| 17       | 78608    | 1    | Danger Decal              |
| 18       | 64814    | 2    | Safety Chain              |

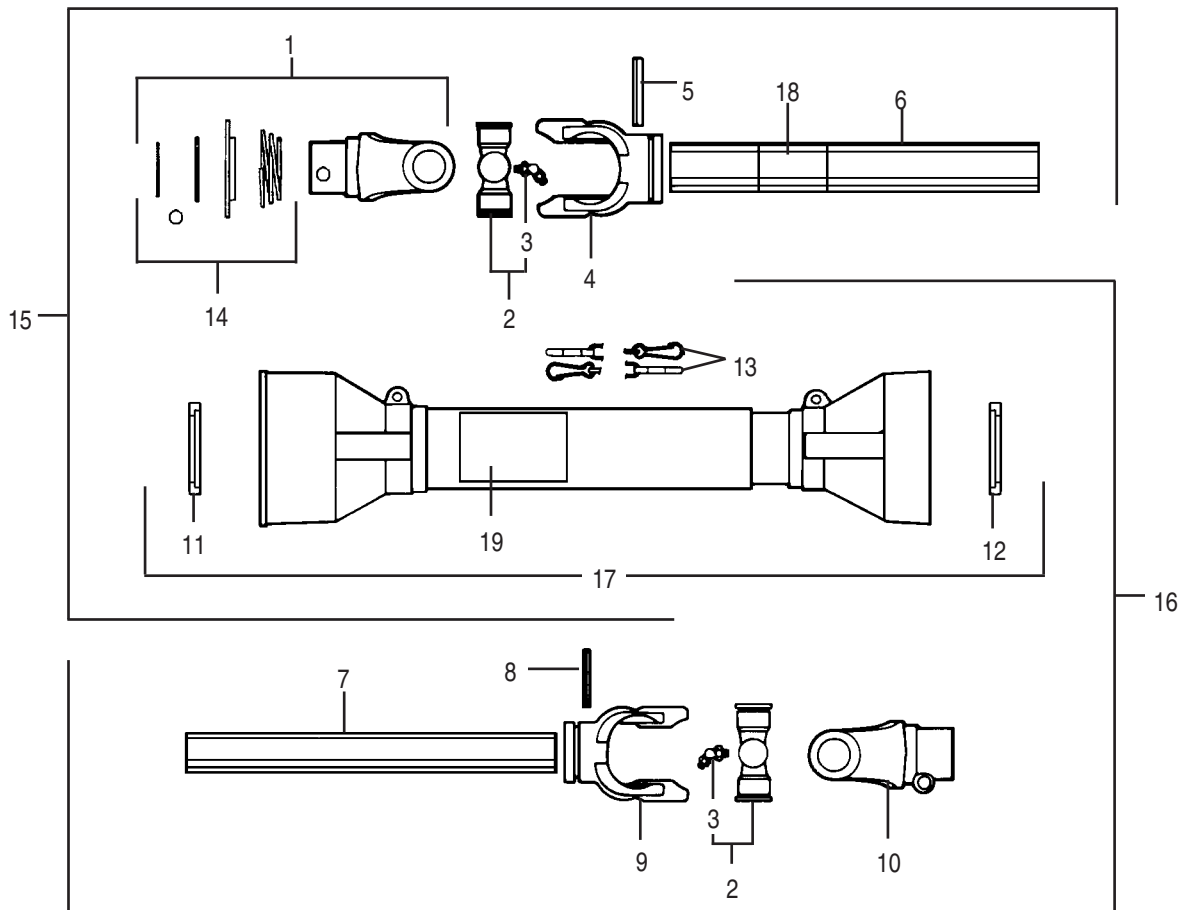


**7672 DRIVESHAFT ASSEMBLY**  
 (540 RPM 1-3/8" – 6 Spline Yoke)  
 Mfd. by Comer / EG  
 Replaces 93050 Driveshaft

| REF. NO. | PART NO. | QTY. | DESCRIPTION             |
|----------|----------|------|-------------------------|
| 1        | 76808    | 1    | Outer Half w/Shield     |
| 2        | 76096    | 1    | Inner Half w/Shield     |
| 3        | 76126    | 1    | Yoke & Pin Assy.        |
| 4        | 76062    | 1    | Q.D. Pin Kit            |
| 5        | 64694    | 2    | Cross Bearing Kit       |
| 6        | 63956    | 2    | Grease Fitting          |
| 7        | 78571    | 1    | Outer Yoke              |
| 8        | 78577    | 1    | Roll Pin for Outer Yoke |
| 9        | 82800    | 1    | Outer Tube              |
| 10       | 78786    | 1    | Danger Decal            |
| 11       | 82801    | 1    | Inner Tube              |
| 12       | 78578    | 1    | Roll Pin for Inner Yoke |
| 13       | 78570    | 1    | Inner Yoke              |
| 14       | 76146    | 1    | Shield Assy.            |
| 15       | 76192    | 1    | Outer Bearing           |
| 16       | 87992    | 6    | Shield Bolt             |
| 17       | 76191    | 1    | Inner Bearing           |
| 18       | 78608    | 1    | Danger Decal            |
| 19       | 64814    | 2    | Safety Chain            |
| 20       | 76711    | 1    | Complete Collar Yoke    |
| 21       | 50017480 | 1    | Ball Collar Kit 1-3/8"  |

76062 Push Pin Set 

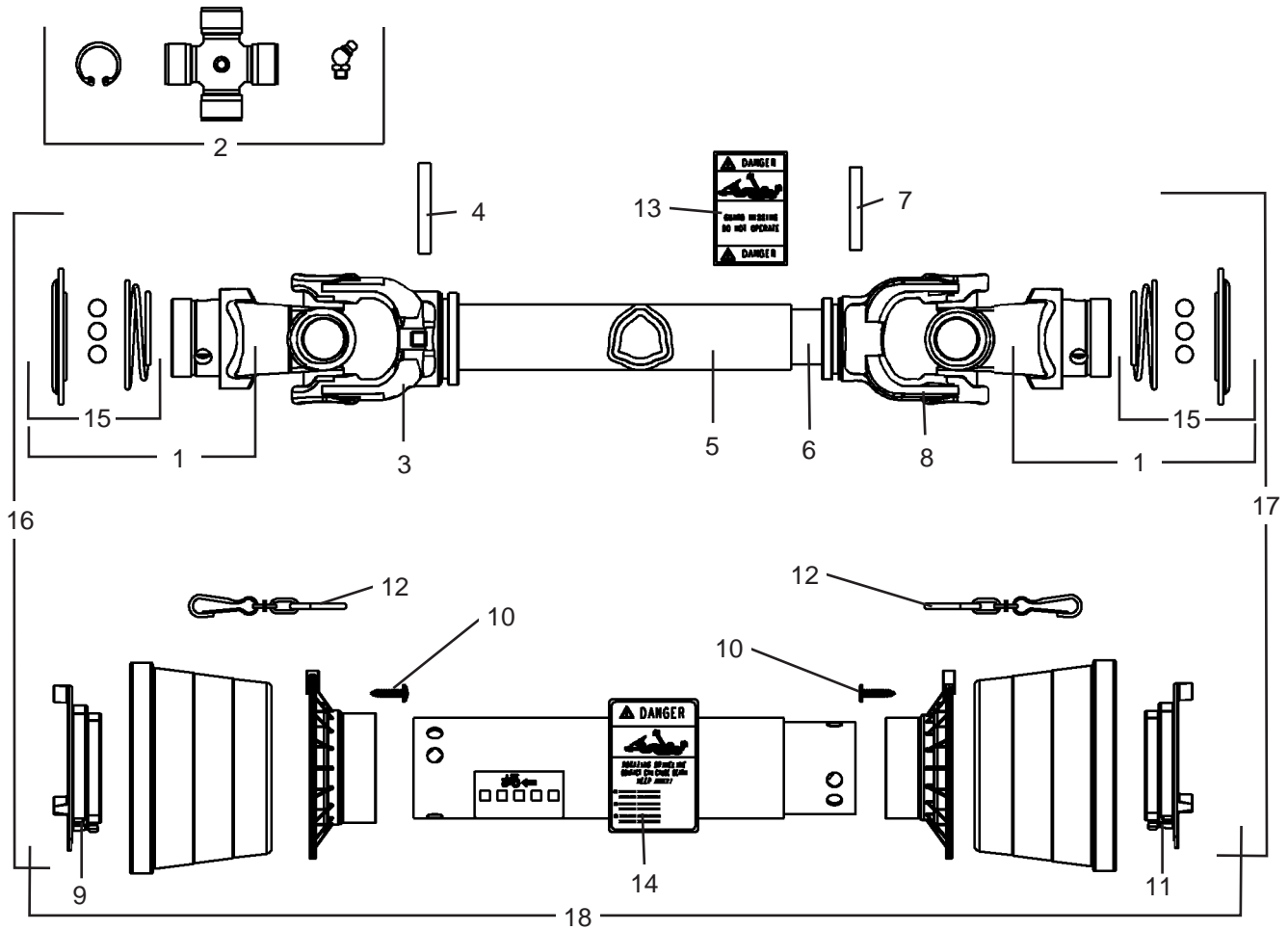
**Note:** Some early driveshafts were shipped with push pins on the tractor yoke end. Order 76062 push pin set to replace pin. Order 76711 for complete yoke replacement.



**50034246 DRIVESHAFT ASSEMBLY  
(OBSOLETE REPLACED BY 50063616)  
540 RPM, 1-3/8" – 6 spline, Mfd. by Binacchi  
Binacchi Size 4, ASAE Size 3**

| REF. NO. | PART NO. | QTY. | DESCRIPTION          |
|----------|----------|------|----------------------|
| 1        | 50035260 | 1    | Complete Collar Yoke |
| 2        | 64694    | 2    | Cross Journal Set    |
| 3        | 63956    | 2    | Grease Nipple        |
| 4        | 78571    | 1    | Outer Tube Yoke      |
| 5        | 78577    | 1    | Flexible Pin         |
| 6        | 82800    | 1    | Outer Tube           |
| 7        | 82801    | 1    | Inner Tube           |
| 8        | 78578    | 1    | Flexible Pin         |
| 9        | 78570    | 1    | Inner Tube Yoke      |
| 10       | 64692    | 1    | Outer Yoke           |
| 11       | 90008    | 1    | Outer Bearing        |
| 12       | 50042832 | 1    | Inner Bearing        |
| 13       | 64814    | 2    | Chain                |
| 14       | 50035261 | 1    | Ball Collar Kit      |
| 15       | 50035268 | 1    | Half Shaft, Outer    |
| 16       | 50035295 | 1    | Half Shaft, Inner    |
| 17       | 90012    | 1    | Safety Guard         |
| 18       | 78786    | 1    | Danger Decal         |
| 19       | 78608    | 1    | Danger Decal         |

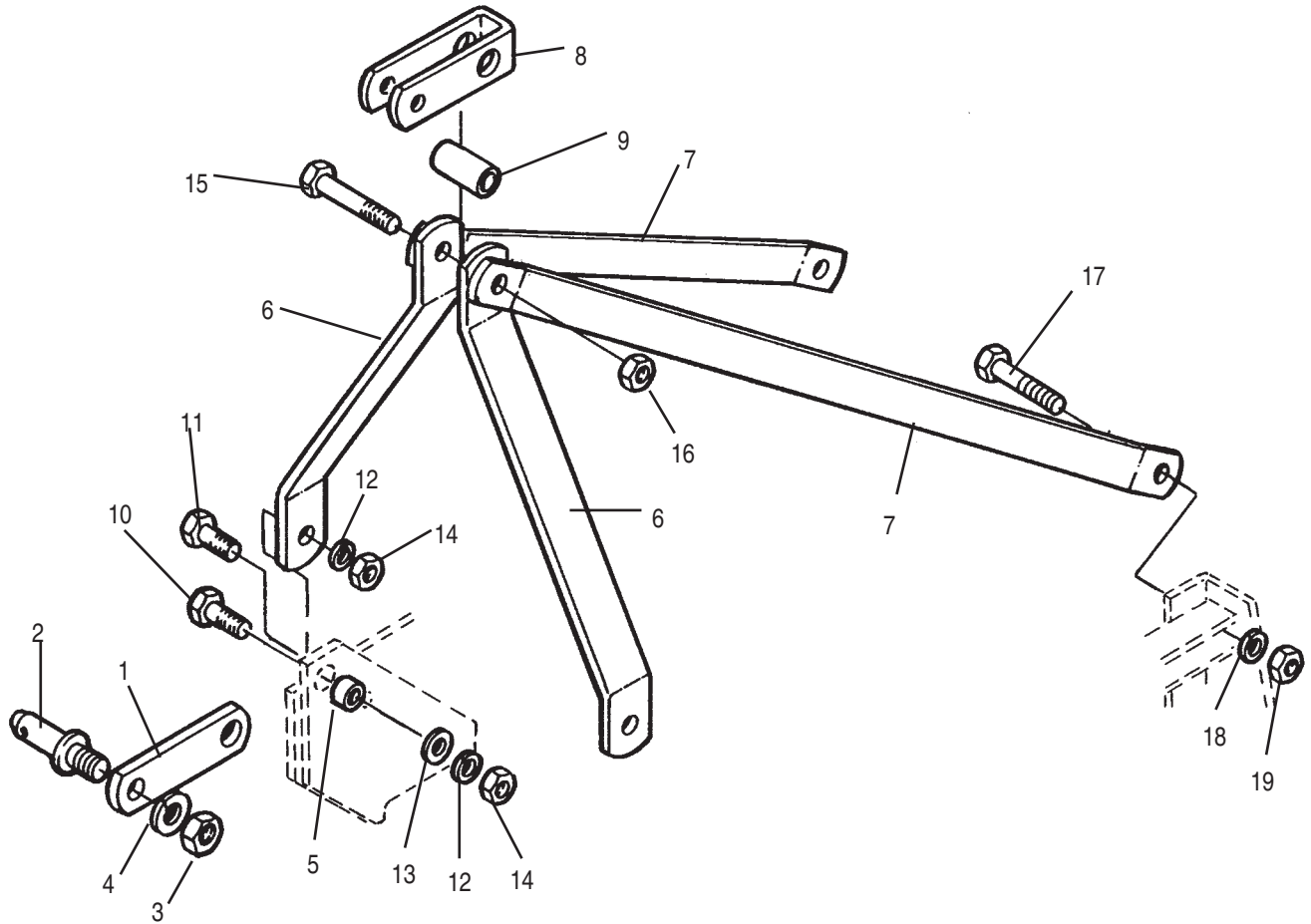
**50063616 DRIVE SHAFT ASSEMBLY**  
 (Replaces the 50034246 Driveshaft Assy.)  
**ASAE Size 3**  
**540 RPM, 1-3/8" - Spline Tractor**  
 Mfd. by Bondioli & Pavesi



| REF. NO. | PART NO. | QTY. | DESCRIPTION             |
|----------|----------|------|-------------------------|
| 1        | 50064902 | 2    | Ball Collar Yoke Assy.  |
| 2        | 64964    | 2    | Cross Bearing Kit       |
| 3        | 78571    | 1    | Yoke Outer Tube         |
| 4        | 78577    | 1    | Roll Pin for Outer Tube |
| 5        | 50064906 | 1    | Outer Tube              |
| 6        | 50064907 | 1    | Inner Tube              |
| 7        | 78578    | 1    | Roll Pin Inner Tube     |
| 8        | 78570    | 1    | Yoke for Inner Tube     |
| 9        | 50064911 | 1    | Outer Shield Bearing    |

| REF. NO. | PART NO. | QTY. | DESCRIPTION              |
|----------|----------|------|--------------------------|
| 10       | 71404    | 6    | Self Tapping Screw       |
| 11       | 50064912 | 1    | Inner Shield Bearing     |
| 12       | 50064890 | 2    | Shield Chain             |
| 13       | 78786    | 1    | Danger Decal, Outer Tube |
| 14       | 78608    | 1    | Danger Decal, Inner Tube |
| 15       | 50064645 | 2    | Ball Collar Kit          |
| 16       | 50064914 | 1    | Outer Half Assy.         |
| 17       | 50064940 | 1    | Inner Half Assy.         |
| 18       | 50064916 | 1    | Complete Shield Kit      |



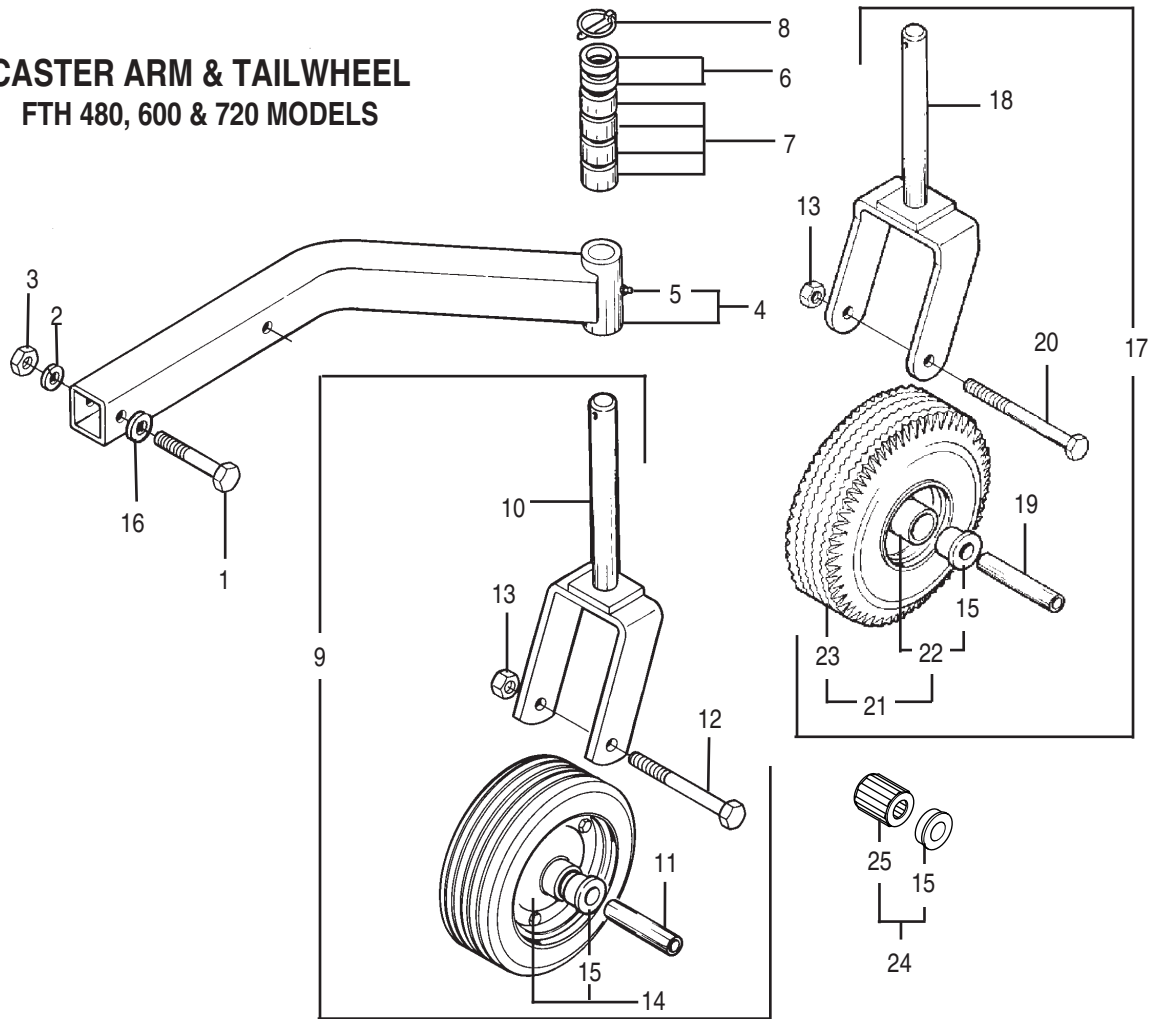


**MAST AND SUPPORTS  
FOR  
FTH 480, 600, 720 MODELS**

| REF. NO. | PART NO. | QTY. | DESCRIPTION                 |
|----------|----------|------|-----------------------------|
| 1        | 88686    | 2    | Lift Arm                    |
| 2        | 63765    | 2    | Lift Pin                    |
| 3        | 44061    | 2    | Hex Nut 7/8" UNF            |
| 4        | 15824    | 2    | Lockwasher 7/8"             |
| 5        | 88687    | 2    | Spacer                      |
| 6        | 88678    | 2    | Mast                        |
| 7        | 88677    | 2    | Mast Support                |
| 8        | 82815    | 1    | Floating Top Link           |
| 9        | 82817    | 1    | Pivot Tube                  |
| 10       | —        | 2    | Capscrew 1/2" x 2" Gr. 5    |
| 11       | —        | 2    | Capscrew 1/2" x 1 1/2" Gr.5 |
| 12       | —        | 4    | Lockwasher 1/2"             |
| 13       | —        | 2    | Flatwasher 1/2"             |
| 14       | —        | 4    | Hex Nut 1/2"                |
| 15       | —        | 1    | Capscrew 1/2" x 5" Gr.5     |
| 16       | 15554    | 1    | Locknut 1/2"                |
| 17       | —        | 2    | Capscrew 5/8" x 4" Gr. 5    |
| 18       | —        | 2    | Lockwasher 5/8"             |
| 19       | —        | 2    | Hex Nut 5/8"                |



**CASTER ARM & TAILWHEEL**  
**FTH 480, 600 & 720 MODELS**

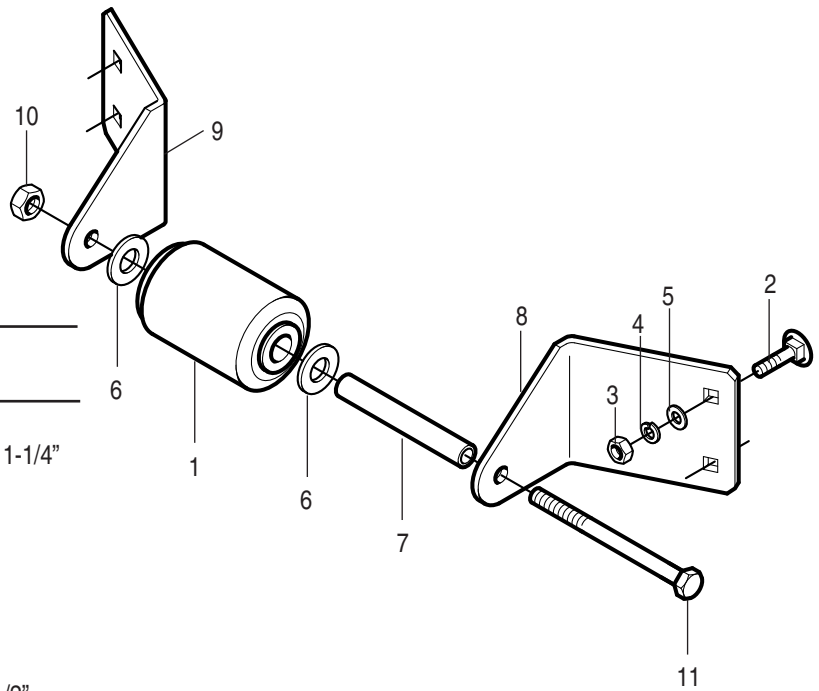


| REF. NO | PART NO | QTY. | DESCRIPTION   |
|---------|---------|------|---|
| 1       | —       | 6    | Capscrew 5/8" x 3 1/2" Gr. 5                            |
| 2       | —       | 6    | Lockwasher 5/8"   |
| 3       | —       | 6    | Hex Nut 5/8"  |
| 4       | 90659   | 4    | Caster Arm Assy.  |
| 5       | 449     | 1    | Grease Fitting  |
| 6       | 84612   | 4    | Spacer 1/2"   |
| 7       | 84613   | 8    | Spacer 1"   |
| 8       | 20312   | 2    | Lynch Pin   |
| 9       | 88683   | 2    | Wheel and Fork Assy. (Solid Tire)                       |
| 10      | 88695   | 1    | Fork Weldment (Solid Tire)                              |
| 11      | 62574   | 1    | Sleeve (Solid Tire)                                     |
| 12      | 44030   | 1    | Capscrow 1/2" x 5" Gr.5                                 |
| 13      | 15554   | 1    | Locknut 1/2"  |
| 14      | 87750   | 1    | Solid Tire Assy.  |
| 15      | 85398   | 2    | Bushing   |
| 16      | 20748   | 8    | Flatwasher 5/8"   |
| 17      | 88956   | 2    | Wheel & Fork Assembly (Pneumatic Tire)                  |
| 18      | 88973   | 1    | Fork Weldment (Pneumatic Tire)                          |
| 19      | 88970   | 1    | Sleeve (Pneumatic Tire)                                 |
| 20      | 20776   | 1    | Capscrow 1/2" x 6" (Pneumatic Tire)                     |
| 21      | 88957   | 1    | Pneumatic Tire Assembly                                 |
| 22      | 88971   | 1    | Rim w/ Bushings   |
| 23      | 88969   | 1    | Pneumatic Tire 410/350/4                                |
| 24      | 91096   | 1    | Roller Bearing Kit (Items 15, 25) Optional <sup>1</sup> |
| 25      | 90810   | 1    | Roller Bearing  |

<sup>1</sup>91096 Bearing Kit includes (Qty. 4) 90810 Roller Bearings and (Qty. 8) 85398 Bushings.

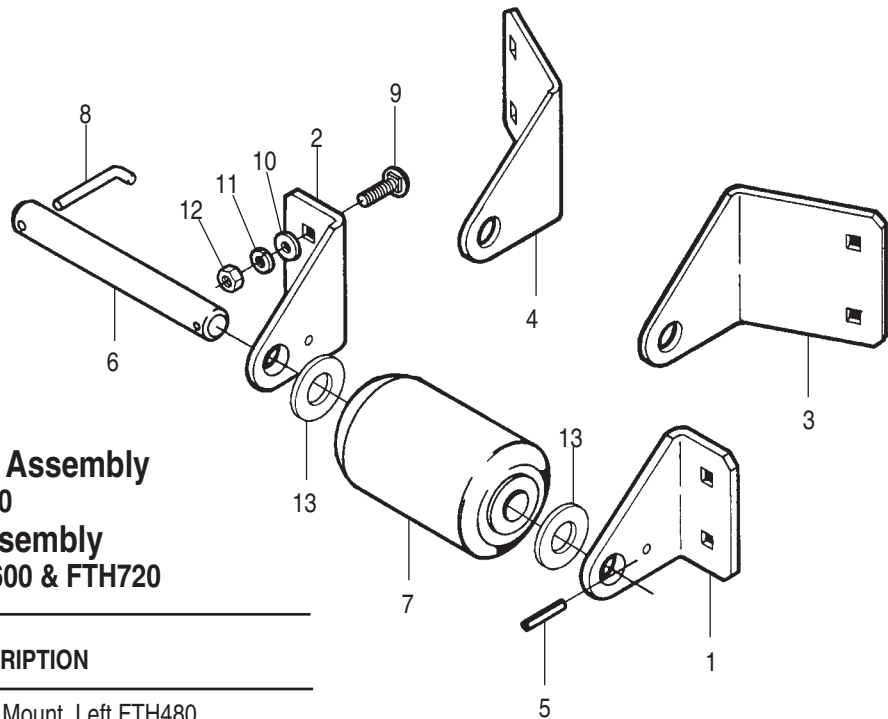
**90871 Front Roller Kit**  
**For Current Models FTH600 & FTH720**

| REF. NO. | PART NO. | QTY. | DESCRIPTION                 |
|----------|----------|------|-----------------------------|
| 1        | 79057    | 1    | Roller                      |
| 2        | 05161212 | 4    | Carriage Bolt 3/8" x 1-1/4" |
| 3        | —        | 4    | Hex Nut 3/8"                |
| 4        | —        | 4    | Lockwasher 3/8"             |
| 5        | —        | 4    | Flatwasher 3/8"             |
| 6        | —        | 2    | Flatwasher 3/4"             |
| 7        | 50021170 | 1    | Sleeve                      |
| 8        | 50021169 | 1    | Left Roller Mount           |
| 9        | 50021168 | 1    | Right Roller Mount          |
| 10       | 15554    | 1    | Locknut 1/2"                |
| 11       | 20580    | 1    | Capscrew 1/2" x 6-1/2"      |



**90868 Front Roller Assembly**  
**For FTH480**  
**Front Roller Assembly**  
**For Early Models FTH600 & FTH720**

| REF. NO. | PART NO. | QTY. | DESCRIPTION                         |
|----------|----------|------|-------------------------------------|
| 1        | 90863    | 1    | Roller Mount, Left FTH480           |
| 2        | 90862    | 1    | Roller Mount, Right FTH480          |
| 3        | 90865    | 1    | Roller Mount, Left FTH600 & FTH720  |
| 4        | 90864    | 1    | Roller Mount, Right FTH600 & FTH720 |
| 5        | 19443    | 1    | Roll Pin                            |
| 6        | 83055    | 1    | Roller Shaft                        |
| 7        | 79057    | 1    | Roller                              |
| 8        | 83054    | 1    | Retainer Pin                        |
| 9        | 5161212  | 4    | Carriage Bolt 3/8" x 1-1/4"         |
| 10       | —        | 4    | Flatwasher 3/8"                     |
| 11       | —        | 4    | Lockwasher 3/8"                     |
| 12       | —        | 4    | Hex Nut 3/8"                        |
| 13       | —        | 2    | Flatwasher 3/4"                     |







**BUSH HOG®**

2501 Griffin Ave. • Selma, AL 36703  
(334) 872-6261 • (334) 874-2700  
Parts Ordering 1-800-304-2836  
Fax 1-800-572-1784  
[www.bushhog.com](http://www.bushhog.com)