

BUSH HOG®

MATERIAL HANDLING REPAIR PARTS MANUAL

**MODEL: BOX BLADES
SECTION: 11**



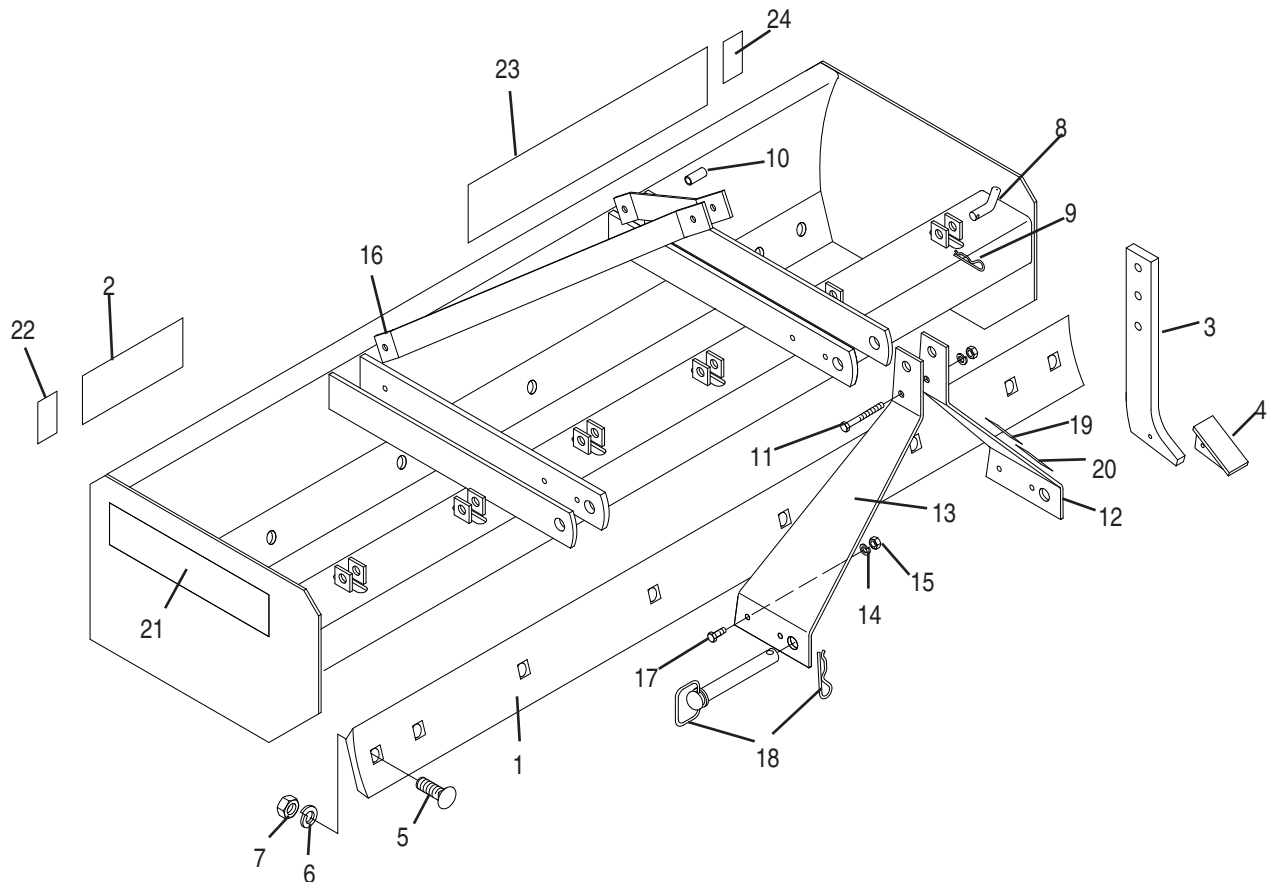
BUSH HOG®

P.O. Box 1039 • Selma, AL 36702-1039
(334) 872-6261 • (334) 874-2700
Parts Ordering 1-800-304-2836
Fax 1-800-572-1784
www.bushhog.com

BOX BLADE

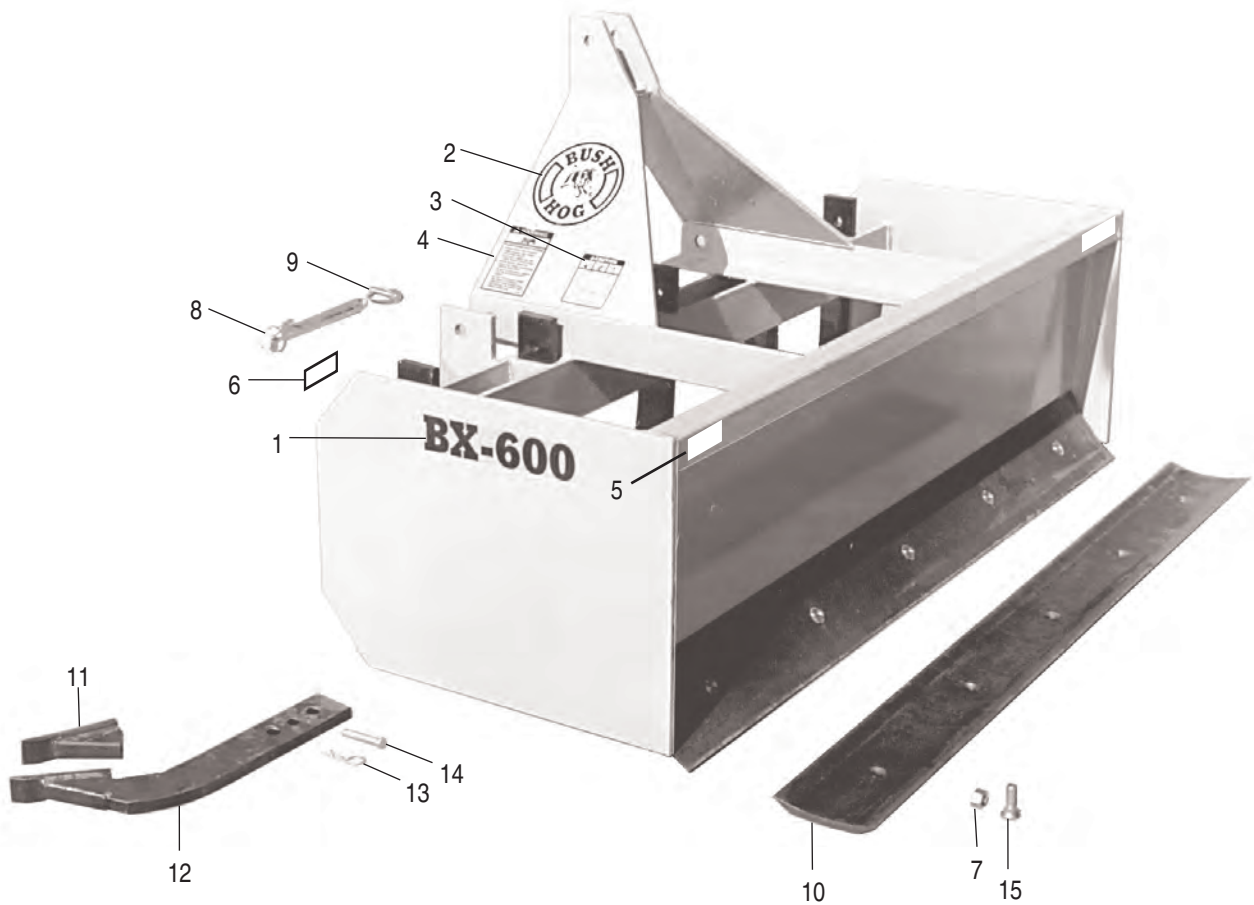
TABLE OF CONTENTS

CONTENTS	PAGE
BB Series Box Blade	11-1-1
BX Series Box Blade	11-1-2
RO Box Blade	11-1-3
MBX 600, 720, 840, 960 Series Box Blades.....	11-1-4
MBX 60, 72, 84, 96 Series Box Blades.....	11-1-5
SBX 480, 600, 650, 720, 780, 840 Series Box Blades	11-1-6
SBX 48, 60, 65, 72, 78, 84 Series Box Blades	11-1-7
RBX Series Box Blade.....	11-1-8
BBC Series Box Blade.....	11-1-9
CBX Series Box Blade.....	11-1-10
BBX Series Box Blade	11-1-11



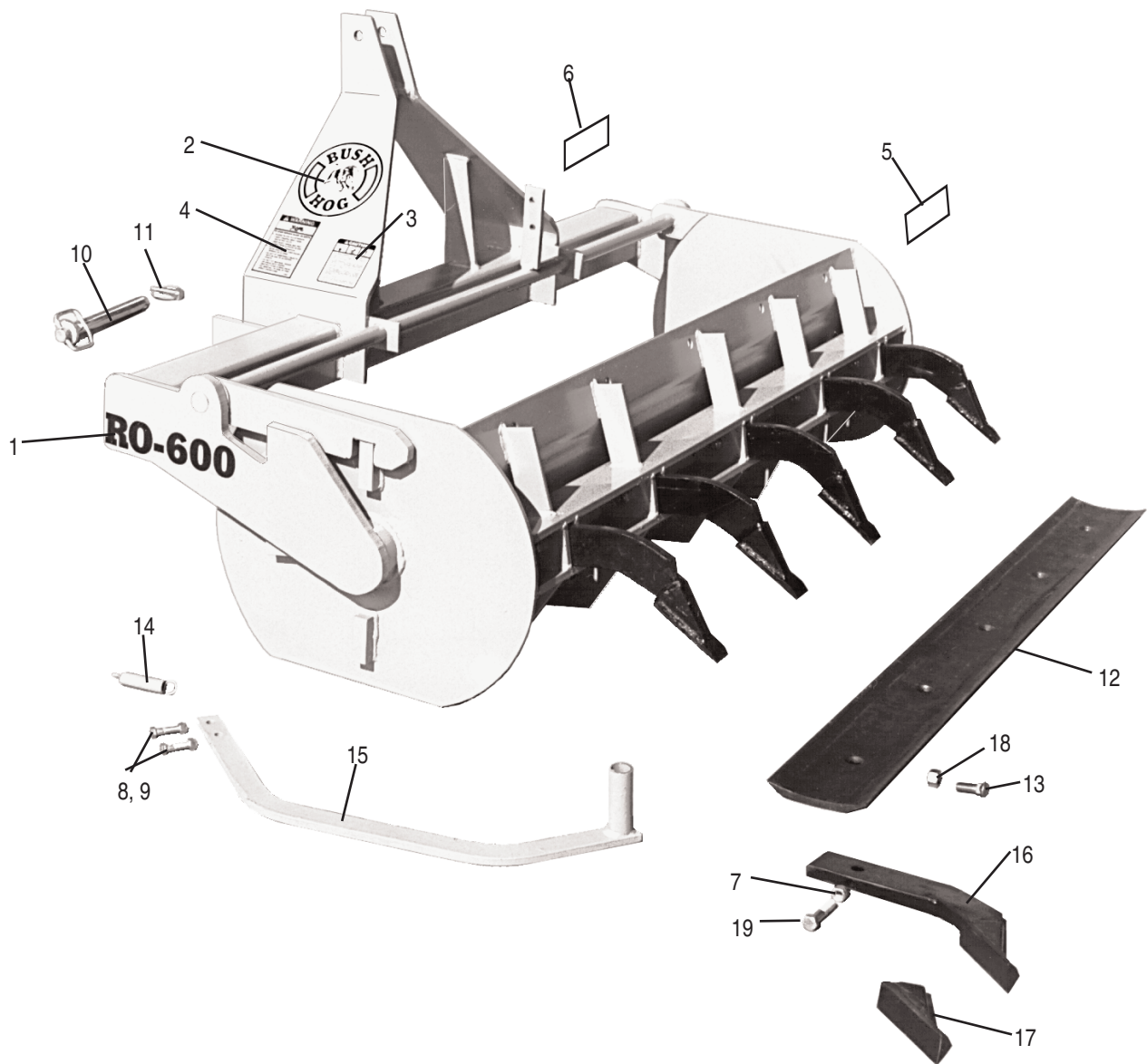
BB 480 – 48" BOX BLADE (Replaced by BX 480 Box Blade)
 BB 600 – 60" BOX BLADE (Replaced by BX 600 Box Blade)
 BB 720 – 72" BOX BLADE (Replaced by BX 720 Box Blade)
 BB 840 – 84" BOX BLADE (Replaced by BX 840 Box Blade)

REF. NO.	PART NO.				QTY.				DESCRIPTION
	480	600	720	840	480	600	720	840	
1	95154	95155	95157	95158			1		Cutting Edge
2	90952	90953	90954	90955			1		Model No. Decal
3		50031990			4	5	6	6	Shank
4		95152			4	5	6	6	Tip
5		20475			12	14	16	18	Plow Bolt 5/8" x 2"
6		—			12	14	16	18	Lockwasher 5/8"
7		—			12	14	16	18	Hex Nut 5/8"
8		91014			4	5	6	6	Pin
9		91015			4	5	6	6	Clip
10		91007					1		Tube
11		—					1		Capscrew 1/2" x 4-1/2" Gr. 5
12		91023					1		L. H. Mast w/Decal
13		91009					1		R. H. Mast
14		—					7		Lockwasher 1/2"
15		—					7		Hex Nut 1/2"
16		91010					2		Mast Brace
17		—					6		Capscrew 1/2" x 2" Gr. 5
18		91016					2		Lynch Pin
19		90959					1		Warning Decal
20		89141					1		Caution Decal
21		12115					2		Bush Hog Decal
22		53315					1		Amber Reflector
23		12119					1		Bush Hog Decal
24		50031213					1		Red Reflector



BOX BLADE
BX-480, BX-600, BX-650, BX-720, BX-780, BX-840

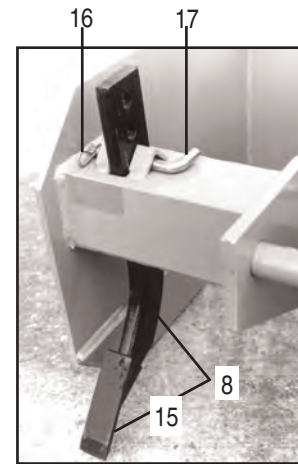
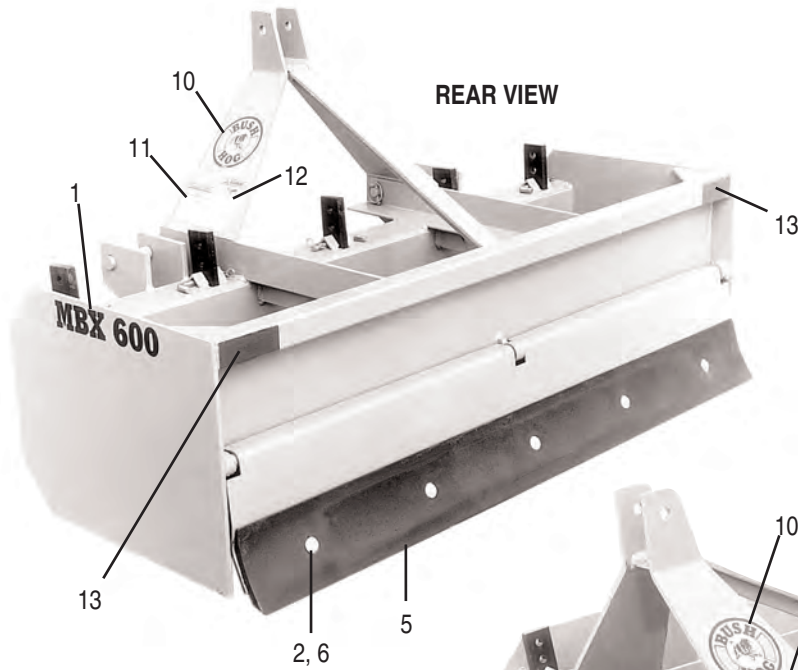
REF. NO.	PART NO.	QTY.	DESCRIPTION
1	95097	2	Model No. Decal BX-480
	95098	2	Model No. Decal BX-600
	95099	2	Model No. Decal BX-650
	95100	2	Model No. Decal BX-720
	50017169	2	Model No. Decal BX-780
	95101	2	Model No. Decal BX-840
	2	25H46298	2
3	89141	1	Caution Decal
4	90959	1	Warning Decal
5	53316	2	Red Reflector Decal
6	53315	2	Amber Reflector Decal
7	15563	A/R	Hex Nut 5/8"
8	95121	2	Pull Pin
9	2850005	2	Lynch Pin
10	95154	2	Cutting Edge BX-480
	95155	2	Cutting Edge BX-600
	95156	2	Cutting Edge BX-650
	95157	2	Cutting Edge BX-720
	50017171	2	Cutting Edge BX-780
	95158	2	Cutting Edge BX-840
	11	95152	A/R
12	95153	A/R	Shank w/Plow Point
13	15662	A/R	Pin
14	50031991	A/R	Shank Retainer Pin
15	20475	A/R	Plow Bolt 5/8" x 2" Gr. 5



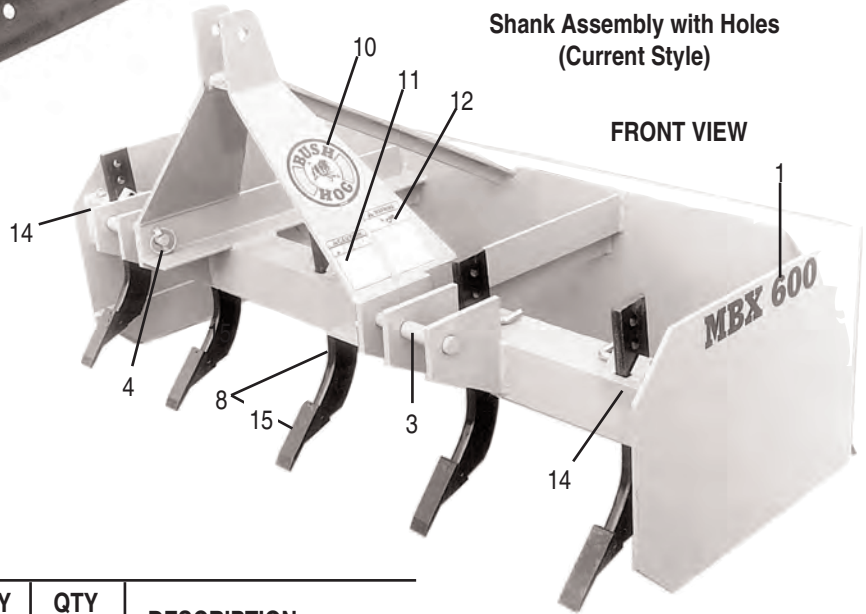
ROLL OVER BOX BLADE
MODELS RO-480, RO-600, RO-650, RO720, RO-820

REF. NO.	PART NO.	QTY.	DESCRIPTION
1	95092	1	Model No. Decal RO-480
	95093	1	Model No. Decal RO-600
	95094	1	Model No. Decal RO-650
	95095	1	Model No. Decal RO-720
	95096	1	Model No. Decal RO-840
	2	25H46298	2
3	89141	1	Caution Decal
4	90959	1	Warning Decal
5	53316	2	Red Reflector Decal
6	53315	2	Amber Reflector Decal
7	15554	A/R	Locknut 1/2"
8	9151400	2	Locknut 7/16"
9		2	Capscrew 7/16" x 1 3/4" Gr.5

REF. NO.	PART NO.	QTY.	DESCRIPTION
10	95121	2	Pull Pin
11	2850005	2	Lynch Pin
12	95154	2	Cutting Edge RO-48
	95155	2	Cutting Edge RO-60
	95156	2	Cutting Edge RO-65
	95157	2	Cutting Edge RO-72
	95158	2	Cutting Edge RO-84
13	20475	A/R	Plow Bolt 5/8" x 2"
14	95143	2	Spring
15	95144	1	Handle
16	95151	A/R	Shank w/ Point
17	95152	A/R	Point (Weld On)
18	15563	A/R	Hex Nut 5/8"
19	—	A/R	Capscrew 1/2" x 2 1/2" Gr.5

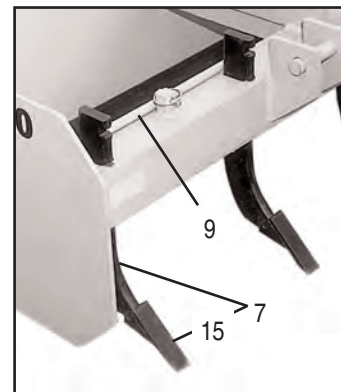


Shank Assembly with Holes (Current Style)

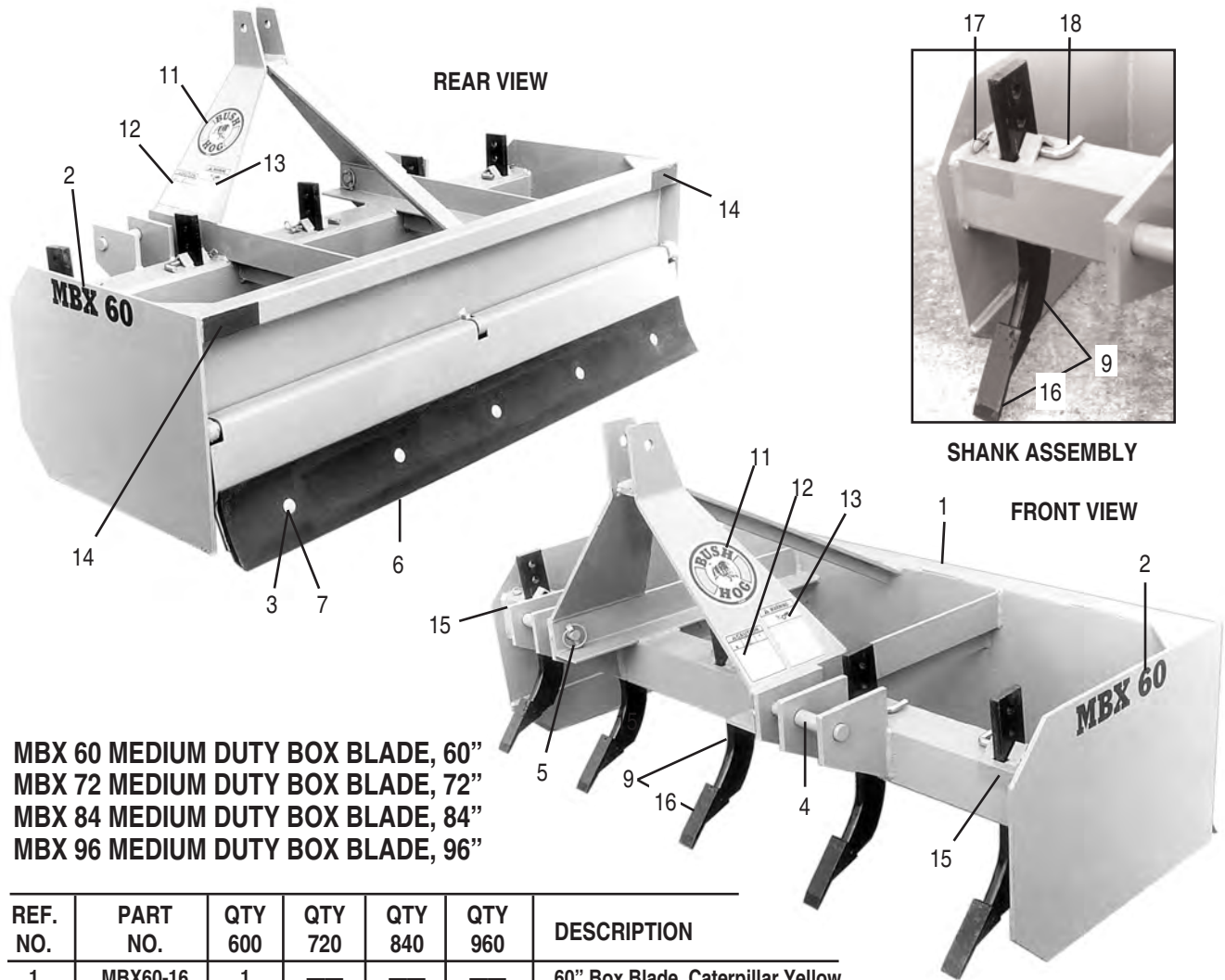


MBX 600
60" MEDIUM DUTY BOX BLADE
MBX 720
72" MEDIUM DUTY BOX BLADE
MBX 840
84" MEDIUM DUTY BOX BLADE
MBX 960
96" MEDIUM DUTY BOX BLADE

REF. NO.	PART NO.	QTY 600	QTY 720	QTY 840	QTY 960	DESCRIPTION
1	50025571	2	—	—	—	Model No. Decal, MBX 600
	50025572	—	2	—	—	Model No. Decal, MBX 720
	50025573	—	—	2	—	Model No. Decal, MBX 840
	50025574	—	—	—	2	Model No. Decal, MBX 960
2	—	10	10	14	16	Hex Nut 5/8" CP Gr.5
3	99342	2	2	2	2	Pull Pin Cat. I / II
4	2850005	2	3	3	3	Lynch Pin
5	95155	2	—	—	—	Cutting Edge 60"
	95157	—	2	—	—	Cutting Edge 72"
	95158	—	—	2	—	Cutting Edge 84"
	99332	—	—	—	2	Cutting Edge 96"
6	20475	10	10	14	16	Plow Bolt 5/8" x 2"
7	50025575	5	6	6	6	Shank Assembly w/ Slots
8	50037285	5	6	6	6	Shank Assembly w/ Holes
9	50025577	2	3	3	3	Shank Retainer
	50025576	1	—	—	—	Shank Retainer, 60"
10	25H46298	2	2	2	2	Bush Hog Decal
11	89141	1	1	1	1	Caution Decal
12	90959	1	1	1	1	Warning Decal
13	50031213	2	2	2	2	Red Reflector
14	53315	2	2	2	2	Amber Reflector
15	95152	5	6	6	6	Plow Point
16	50005861	5	6	6	6	Cotter Pin .12
17	50031991	5	6	6	6	Shank Retainer Pin

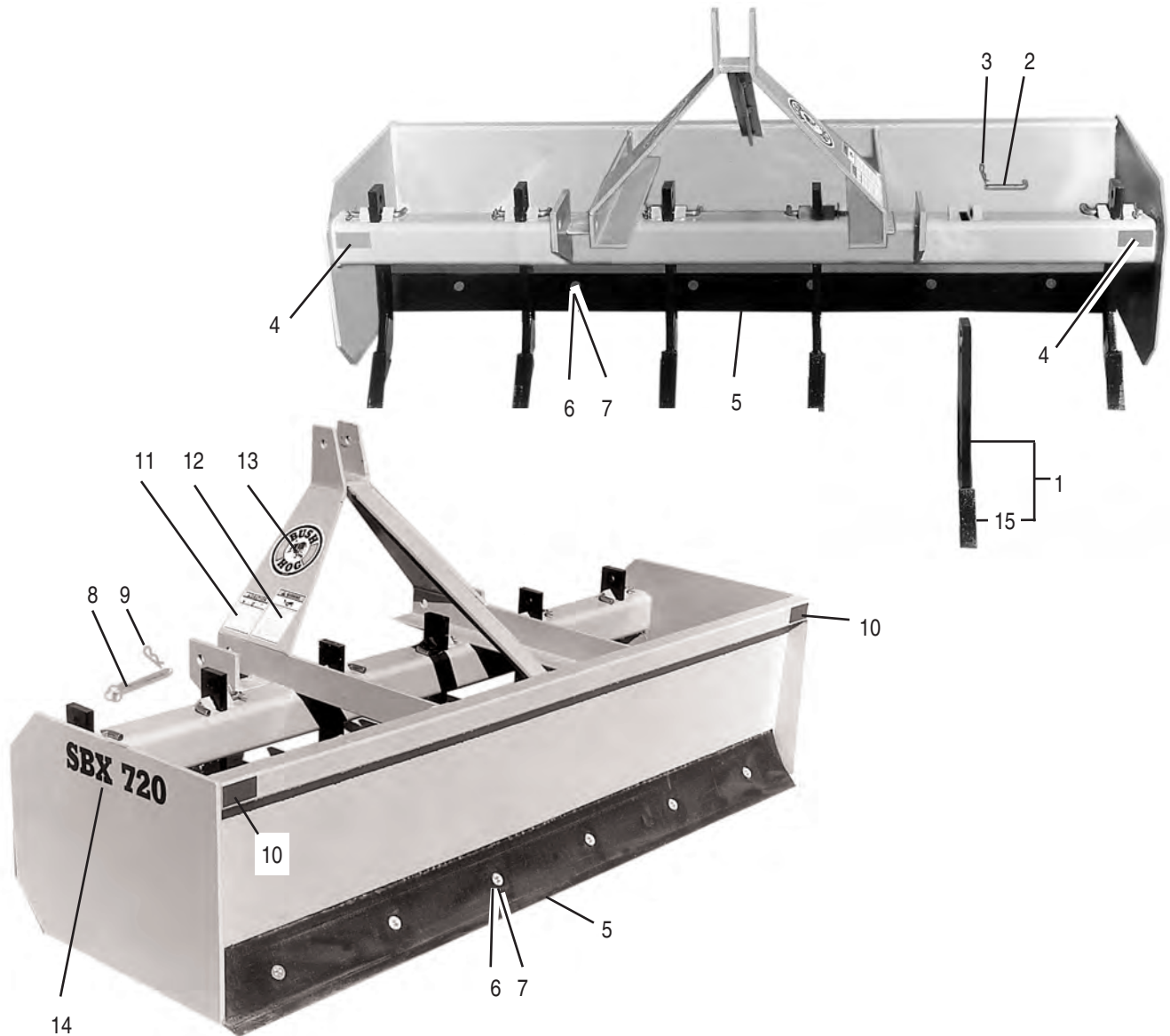


Shank Assembly with Slots (Old Style)



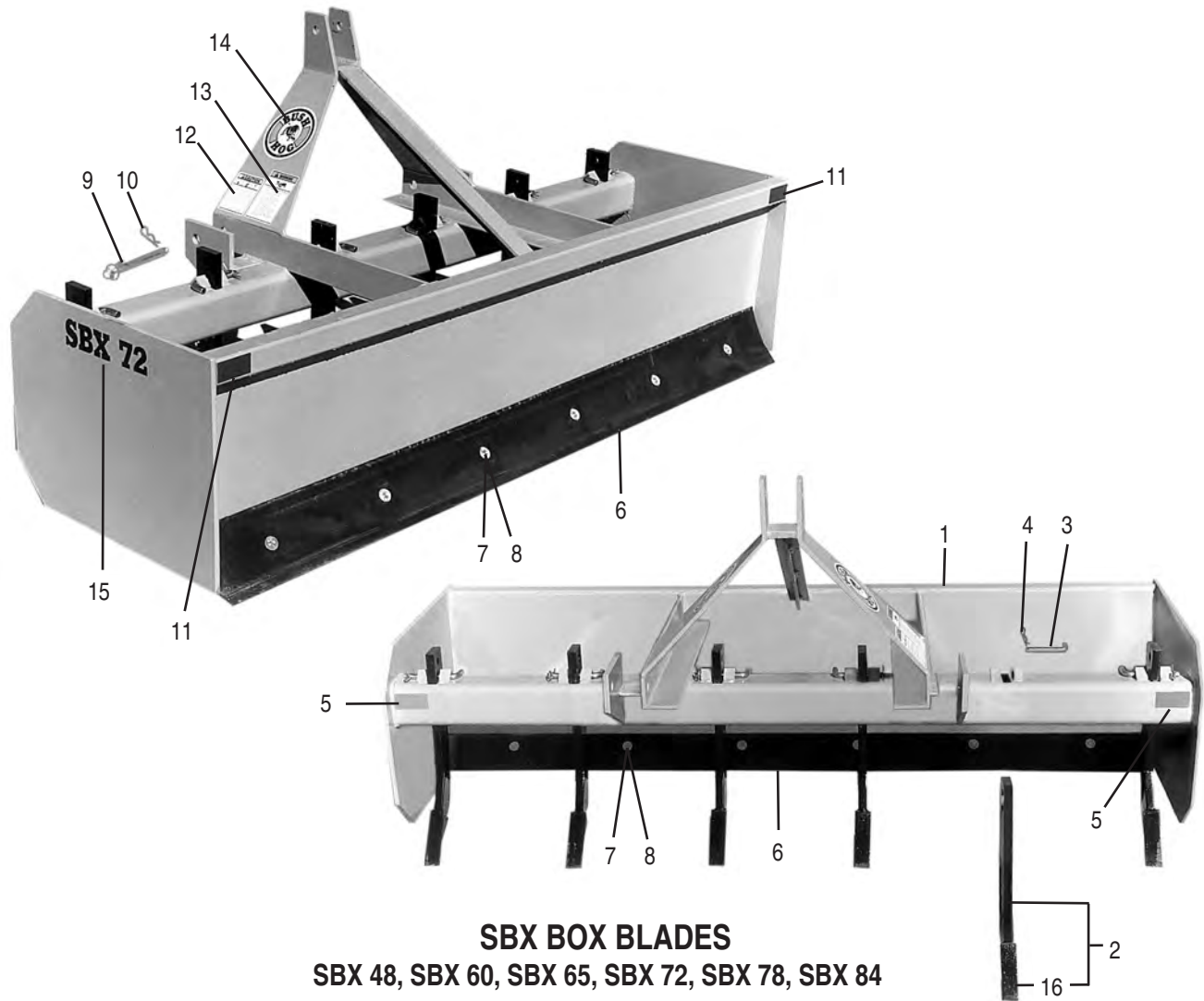
MBX 60 MEDIUM DUTY BOX BLADE, 60"
MBX 72 MEDIUM DUTY BOX BLADE, 72"
MBX 84 MEDIUM DUTY BOX BLADE, 84"
MBX 96 MEDIUM DUTY BOX BLADE, 96"

REF. NO.	PART NO.	QTY 600	QTY 720	QTY 840	QTY 960	DESCRIPTION
1	MBX60-16	1	—	—	—	60" Box Blade, Caterpillar Yellow
	MBX72-01	—	1	—	—	72" Box Blade, Bush Hog Red
	MBX72-03	—	1	—	—	72" Box Blade, John Deere Green
	MBX72-05	—	1	—	—	72" Box Blade, Kubota Orange
	MBX72-14	—	1	—	—	72" Box Blade, New Holland Blue
	MBX72-16	—	1	—	—	72" Box Blade, Caterpillar Yellow
	MBX84-16	—	—	1	—	84" Box Blade, Caterpillar Yellow
	MBX96-16	—	—	—	1	96" Box Blade, Caterpillar Yellow
2	50050155	2	—	—	—	Model No. Decal, MBX 60
	50050157	—	2	—	—	Model No. Decal, MBX 72
	50050159	—	—	2	—	Model No. Decal, MBX 84
	50050161	—	—	—	2	Model No. Decal, MBX 96
3	—	10	10	14	16	Hex Nut 5/8" CP Gr.5
4	99342	2	2	2	2	Pull Pin Cat. I / II
5	2850005	2	3	3	3	Lynch Pin
6	95155	2	—	—	—	Cutting Edge 60"
	95157	—	2	—	—	Cutting Edge 72"
	95158	—	—	2	—	Cutting Edge 84"
	99332	—	—	—	2	Cutting Edge 96"
7	20475	10	10	14	16	Plow Bolt 5/8" x 2"
8	50025575	5	6	6	6	Shank Assembly w/ Slots
9	50037285	5	6	6	6	Shank Assembly w/ Holes
10	50025577	2	3	3	3	Shank Retainer
	50025576	1	—	—	—	Shank Retainer, 60"
11	25H46298	2	2	2	2	Bush Hog Decal
12	89141	1	1	1	1	Caution Decal
13	90959	1	1	1	1	Warning Decal
14	50031213	2	2	2	2	Red Reflector
15	53315	2	2	2	2	Amber Reflector
16	95152	5	6	6	6	Plow Point
17	50005861	5	6	6	6	Cotter Pin .12
18	50031991	5	6	6	6	Shank Retainer Pin



SBX BOX BLADES
SBX 480, SBX 600, SBX 650, SBX 720, SBX 780, SBX 840

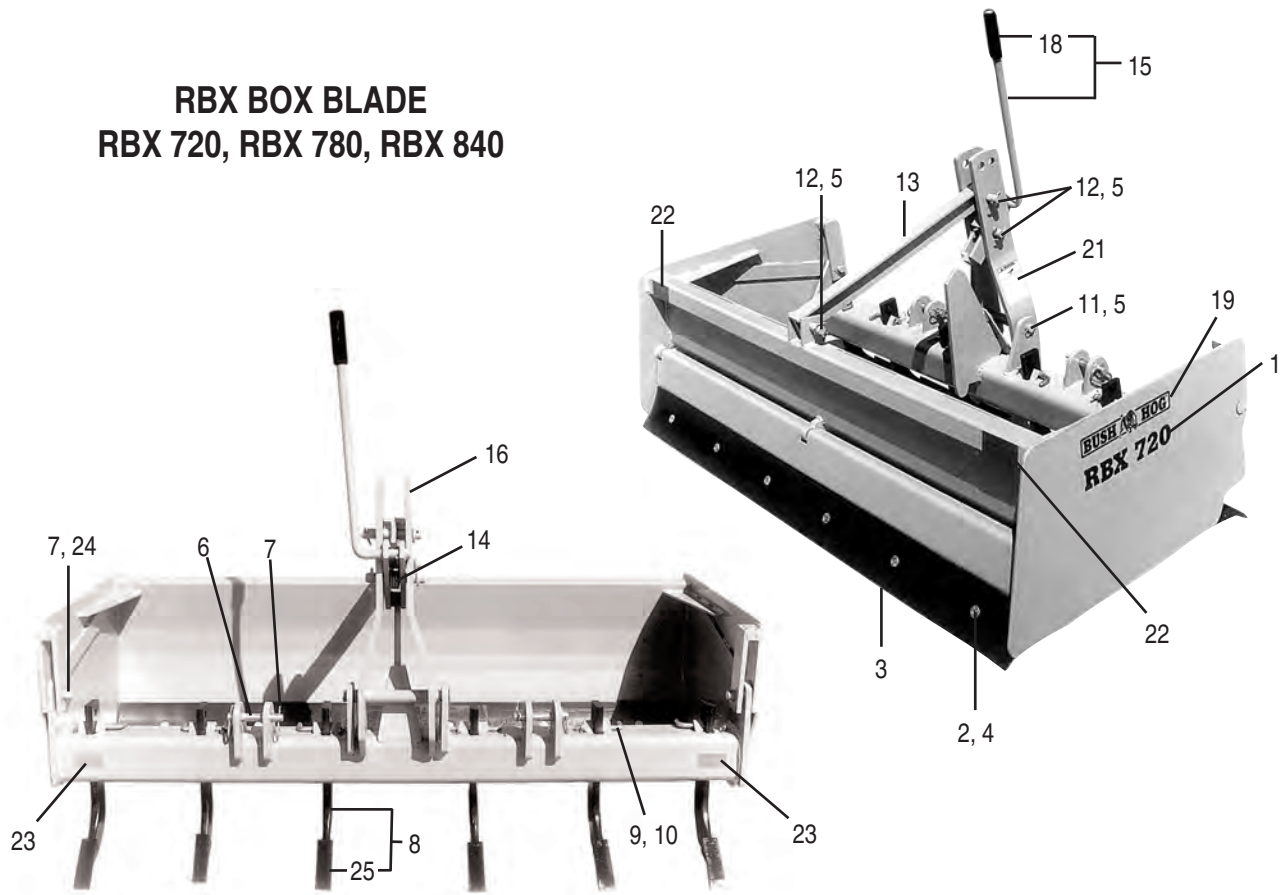
REF. NO.	PART NO.	QTY.	DESCRIPTION	REF. NO.	PART NO.	QTY.	DESCRIPTION
1	50031990	as req'd.	Shank Assembly	9	20395	2	Hair Pin
2	50031991	as req'd.	Shank Retainer Pin	10	50031213	2	Red Reflector for 48" - 78"
3	15662	as req'd.	Pin		50031214	2	Red Reflector for 84"
4	53315	2	Amber Reflector	11	89141	1	Caution Decal
5	95154	2	Cutting Edge 48" (SBX 480)	12	90959	1	Warning Decal
	95155	2	Cutting Edge 60" (SBX 600)	13	50057843	2	Bush Hog Decal
	95156	2	Cutting Edge 65" (SBX 650)	14	50031236	2	Model Decal SBX 480
	95157	2	Cutting Edge 72" (SBX 720)		50031237	2	Model Decal SBX 600
	50017171	2	Cutting Edge 78" (SBX 780)		50031238	2	Model Decal SBX 650
	95158	2	Cutting Edge 84" (SBX 840)		50031239	2	Model Decal SBX 720
6	20475	as req'd.	Plow Bolt 5/8" x 2"		50031240	2	Model Decal SBX 780
7	15563	as req'd.	Hex Nut 5/8" Gr5		50031241	2	Model Decal SBX 840
8	95121	2	Pull Pin	15	95152	1	Plow Point



SBX BOX BLADES
SBX 48, SBX 60, SBX 65, SBX 72, SBX 78, SBX 84

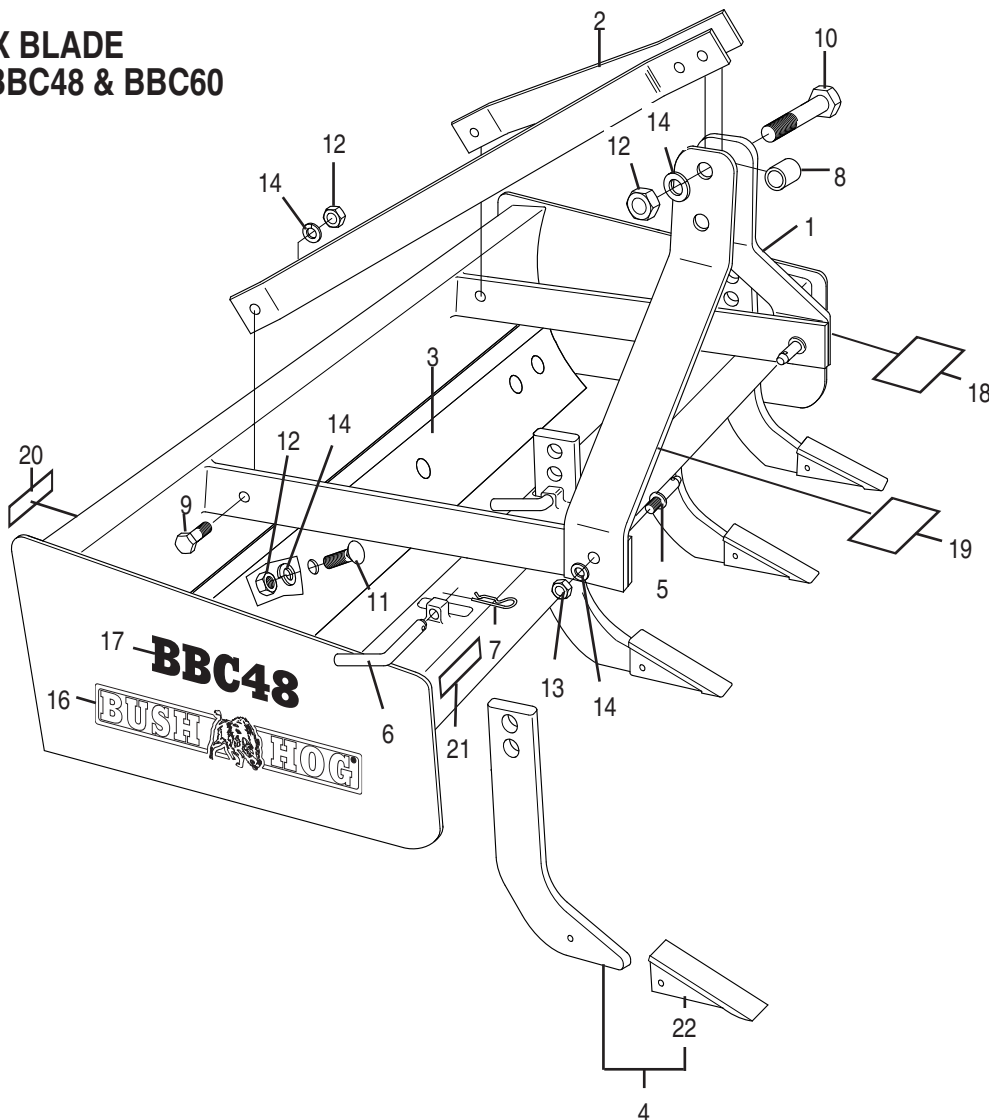
REF. NO.	PART NO.	QTY.	DESCRIPTION	REF. NO.	PART NO.	QTY.	DESCRIPTION
1	SBX48-01	1	48" Box Blade, Bush Hog Red	2	50031990	as req'd.	Shank Assembly
	SBX48-03	1	48" Box Blade, John Deere Green	3	50031991	as req'd.	Shank Retainer Pin
	SBX48-05	1	48" Box Blade, Kubota Orange	4	15662	as req'd.	Pin
	SBX48-14	1	48" Box Blade, New Holland Blue	5	53315	2	Amber Reflector
	SBX48-16	1	48" Box Blade, Caterpillar Yellow	6	95154	2	Cutting Edge 48" (SBX 48)
	SBX60-01	1	60" Box Blade, Bush Hog Red		95155	2	Cutting Edge 60" (SBX 60)
	SBX60-03	1	60" Box Blade, John Deere Green		95156	2	Cutting Edge 65" (SBX 65)
	SBX60-05	1	60" Box Blade, Kubota Orange		95157	2	Cutting Edge 72" (SBX 72)
	SBX60-14	1	60" Box Blade, New Holland Blue		50017171	2	Cutting Edge 78" (SBX 78)
	SBX60-16	1	60" Box Blade, Caterpillar Yellow		95158	2	Cutting Edge 84" (SBX 84)
	SBX65-01	1	65" Box Blade, Bush Hog Red	7	20475	as req'd.	Plow Bolt 5/8" x 2"
	SBX65-03	1	65" Box Blade, John Deere Green	8	15563	as req'd.	Hex Nut 5/8" Gr5
	SBX65-05	1	65" Box Blade, Kubota Orange	9	95121	2	Pull Pin
	SBX65-14	1	65" Box Blade, New Holland Blue	10	20395	2	Hair Pin
	SBX65-16	1	65" Box Blade, Caterpillar Yellow	11	50031213	2	Red Reflector for 48" - 78"
	SBX72-01	1	72" Box Blade, Bush Hog Red		50031214	2	Red Reflector for 84"
	SBX72-03	1	72" Box Blade, John Deere Green	12	89141	1	Caution Decal
	SBX72-05	1	72" Box Blade, Kubota Orange	13	90959	1	Warning Decal
	SBX72-14	1	72" Box Blade, New Holland Blue	14	50057843	2	Bush Hog Decal
	SBX72-16	1	72" Box Blade, Caterpillar Yellow	15	50050143	2	Model Decal SBX 48
	SBX78-16	1	78" Box Blade, Caterpillar Yellow		50050145	2	Model Decal SBX 60
	SBX84-01	1	84" Box Blade, Bush Hog Red		50050147	2	Model Decal SBX 65
	SBX84-03	1	84" Box Blade, John Deere Green		50050149	2	Model Decal SBX 72
	SBX84-05	1	84" Box Blade, Kubota Orange		50050151	2	Model Decal SBX 78
	SBX84-14	1	84" Box Blade, New Holland Blue		50050153	2	Model Decal SBX 84
	SBX84-16	1	84" Box Blade, Caterpillar Yellow	16	95152	1	Plow Point

RBX BOX BLADE RBX 720, RBX 780, RBX 840



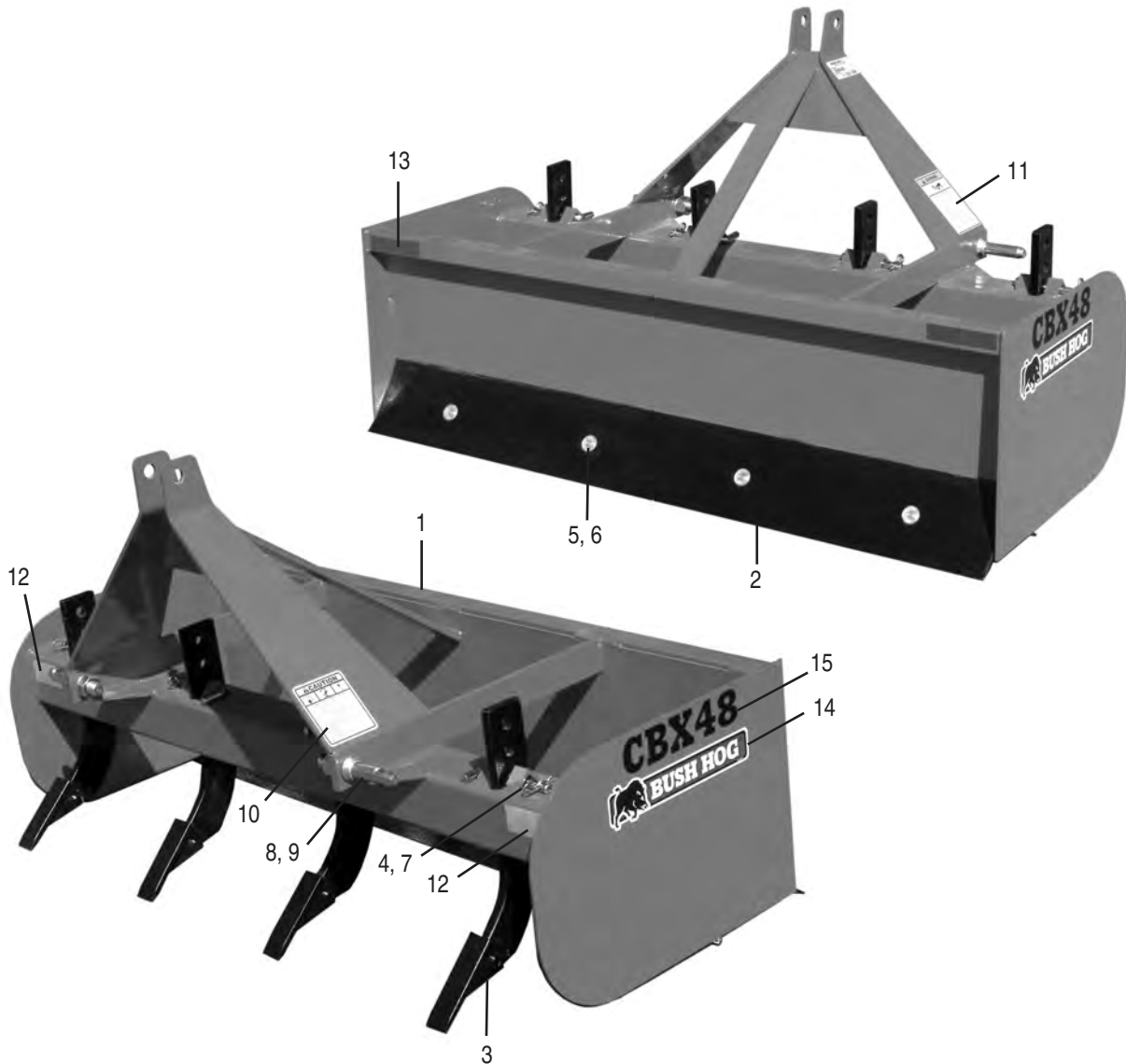
REF. NO.	PART NO.	QTY. 720	QTY. 780	QTY. 840	DESCRIPTION
1	50037885	2	—	—	Model No. Decal, RBX 720
	50040065	—	2	—	Model No. Decal, RBX 780
	50037886	2	—	2	Model No. Decal, RBX 840
2	15563	10	12	14	Hex Nut 5/8"
3	95157	2	—	—	Cutting Edge, RBX 720
	95158	—	2	2	Cutting Edge, RBX 780, RBX 840
4	20475	10	12	14	Plow Bolt 5/8" x 2"
5	50005860	3	3	3	Cotter Pin .148
6	95121	2	2	2	Pull Pin
7	50039220	4	4	4	Cotter Pin 1/8" x 2"
8	50037285	6	6	6	Shank Assembly, Heat Treated
9	50005861	6	6	6	Cotter Pin .12
10	50031991	6	6	6	Shank Retainer Pin
11	50037899	1	1	1	A-Frame Pin 1" x 10-3/4"
12	50037900	3	3	3	Pin 1" x 4"
13	50037898	1	1	1	Back Strap
14	50037897	1	1	1	Spring
15	50037896	1	1	1	Handle Assembly
16	50037895	1	1	1	A-Frame Assembly
17	—	1	1	1	Braided Rope, 10'
18	50038047	1	1	1	Handle Grip
19	25H46298	2	2	2	Bush Hog Decal
20	89141	1	1	1	Caution Decal
21	90959	1	1	1	Warning Decal
22	50031213	2	2	2	Reflector, Red
23	53315	2	2	2	Reflector, Amber
24	99334	2	2	2	Pin Jack Pin 1" x 3-1/2"
25	95152	A/R	A/R	A/R	Plow Point

**BOX BLADE
MODELS BBC48 & BBC60**



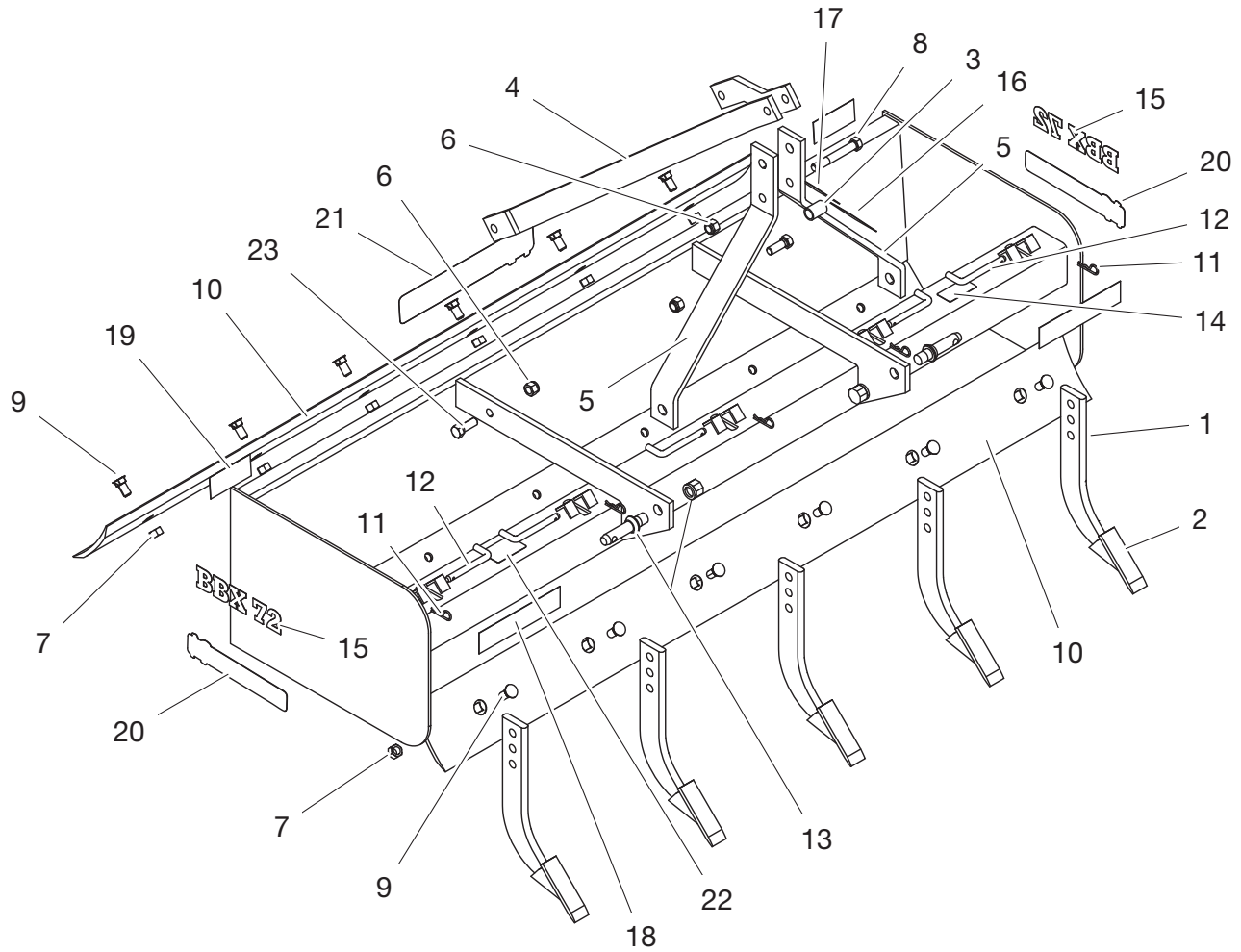
REF. NO.	PART NO.	QTY.	DESCRIPTION
	BBC48-03	1	48" Box Blade, John Deere Green
	BBC48-05	1	48" Box Blade, Kubota Orange
	BBC48-14	1	48" Box Blade, New Holland Blue
	BBC48-21	1	48" Box Blade, MF Red
	BBC60-03	1	60" Box Blade, John Deere Green
	BBC60-05	1	60" Box Blade, Kubota Orange
	BBC60-14	1	60" Box Blade, New Holland Blue
	BBC60-21	1	60" Box Blade, MF Red
1	50047566	2	Mast Half, A-Frame
2	50047567	2	Hitch Brace, A-Frame
3	50058099	2	Cutting Edge, 48"
	50058098	2	Cutting Edge, 60"
4	50058101	4	Scarifier Shank w/ Tip, 48"
	50058101	5	Scarifier Shank w/ Tip, 60"
5	63765	2	Lift Pin, Cat. 1
6	25H47060	4	Bent Pull Pin 1/2" x 3"
7	1273	4	Presto Pin

REF. NO.	PART NO.	QTY.	DESCRIPTION
8	50047571	1	Spacer, Top Link
9	—	2	Capscrew 5/8" x 2"
10	—	1	Capscrew 5/8" x 5"
11	20912	12	Plow Bolt 5/8" x 1-1/2"
12	15563	15	Hex Nut 5/8"
13	44061	2	Hex Nut 7/8" NF
14	—	15	Lockwasher 5/8"
15	—	2	Lockwasher 7/8"
16	97976	2	Bush Hog Decal, 12.00"
17	50047294	2	Model Decal, BBC48
	50047295	2	Model Decal, BBC60
18	89141	1	Caution Decal
19	90959	1	Warning Decal
20	50031213	2	Red Reflector
21	53315	2	Amber Reflector 1.5" x 3"
22	50047569	4	Shank Tip, 48"
	50047569	5	Shank Tip, 60"



**CBX BOX BLADE
MODELS CBX48, CBX60**

REF. NO.	PART NO.	QTY.	DESCRIPTION	REF. NO.	PART NO.	QTY.	DESCRIPTION
1	CBX48-01	1	48" Box Blade, Bush Hog Red	5	15212	A/R	#3 HD Plow Bolt, 5/8" x 1-3/4"
	CBX48-03	1	48" Box Blade, John Deere Green	6	—	A/R	Hex Nut 5/8"
	CBX48-05	1	48" Box Blade, Kubota Orange	7	50005861	A/R	Cotter Pin 1/8" x 2"
	CBX48-14	1	48" Box Blade, New Holland Blue	8	50005860	2	Cotter Pin .148
	CBX48-16	1	48" Box Blade, Caterpillar Yellow	9	63765	2	Lift Pin, Cat. 1
	CBX60-01	1	60" Box Blade, Bush Hog Red	10	89141	1	Caution Decal
	CBX60-03	1	60" Box Blade, John Deere Green	11	90959	1	Warning Decal
	CBX60-05	1	60" Box Blade, Kubota Orange	12	53315	2	Amber Reflector
	CBX60-14	1	60" Box Blade, New Holland Blue	13	50031213	2	Red Reflector
	CBX60-16	1	60" Box Blade, Caterpillar Yellow	14	50058089	2	Decal, Bush Hog
2	50058099	2	Cutting Edge, 3/8 x 6 x 47-3/4" (CBX48)	15	50058102	1	Model Decal, CBX48
	50058098	2	Cutting Edge, 3/8" x 6" x 59-3/4" (CBX60)		50058110	1	Model Decal, CBX60
3	50058101	A/R	Shank Assembly, 5/8 x 2-1/2 x 15.462"				
4	50031991	A/R	Shank Retainer Pin 1/2 x 4-1/2"				



**BBX BOX BLADE
MODELS BBX48, BBX60, BBX65, BBX72**

Ref. No.	Part No.	Description	Qty. Req'd.	Ref. No.	Part No.	Description	Qty. Req'd.
1	50058101	Shank 5/8" x 2' x 15.46"	A/R	13	63765	Lift Pin Assy.	2
2	50058100	Plow Point	A/r	14	-----	SN Decal	NFS
3	50071144	"A" Frame Bushing	1	15	50071571	Model Decal BBX48	1
4	50071606	Rear Support	2		50071573	Model Decal BBX60	1
5	50071443	"A" Frame Half	2		50071575	Model Decal BBX65	1
6	-----	Locknut 5/8" Nylock	3		50071577	Model Decal BBX72	1
7	44336BH	Hex Nut 5/8"	A/R	16	50057097	Caution Decal	1
8	-----	Bolt 5/8" x 4" Gr.5	1	17	90960BH	Warning Decal	1
9	20475	Plow Bolt 5/8" x 2"	A/R	18	50031212	Amber Reflector	2
10	50058099	Cutting Edge 3/8" x 6" x 47-3/4"	2	19	50031213	Red Reflector	2
	50058098	Cutting Edge 3/8" x 6" x 59-3/4"	2	20	50058089	Logo Decal Bush Hog	2
	50071607	Cutting Edge 3/8" x 6" x 65"	2	21	50065309	Logo Decal Bush Hog	1
	50071608	Cutting Edge 3/8" x 6" x 72"	2	22	00725756	Decal, Peligro	1
11	50005861	Cotter Pin .120"	A/R	23	-----	Bolt, 5/8" x 1-3/4" Gr.5	2
12	50031991	Retainer Pin	A/R				

